

# New SO 5G Series

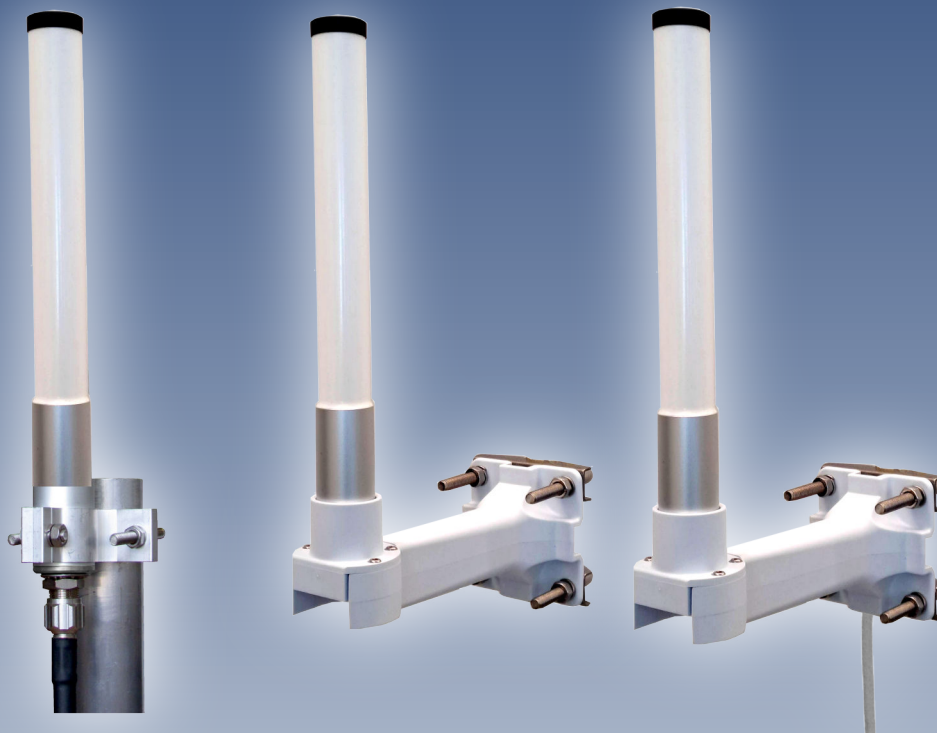

 868  
 MHz

GSM

 WiFi  
 2.4GHz

4G

5G



Electrical data	2118020.00 SO 5G 2-8DBI N-F	2118020.00/FT7 SO 5G 2-8DBI N-F FT7 NYLON BRACKET	2118120/5SMA SO 5G 2-8DBI 5M RF/SMA-M FT7 NYLON BRACKET
Type	Wide-band dipole		
Frequency range	650 ÷ 960 MHz / 1.7 ÷ 2.7 GHz / 3.3 ÷ 4.2 GHz		
Impedance (ohm)	50		
Radiation	360° Omnidir.		
Polarization	Linear Vertical		
Gain (Approx)	650÷960 MHz = 2,1 dBi 1.7÷2.7 GHz = 4 ÷ 6 dBi 3.3÷4.2 GHz = 6 ÷ 8 dBi		
Ingress Protection (IP)	IP 67		
Cable type & length	/		Low Loss 5mt
Connector	1x N-female		1x SMA-Male
Mounting	SA303 Bracket	FT-7 Bracket	
<b>Mechanical data</b>	Fiberglass, anodized aluminium, molded plastic		
Housing & radome Materials	Fiberglass, anodized aluminium, molded plastic		
Bracket & Hardware materials	Aluminium, Stainless Steel	Molded plastic, stainless steel	Molded plastic, stainless steel
Dimensions HxWxL (approx.)	D x H: 32 x 320 mm	LxWxH: 90x200x370 mm	LxWxH: 90x200x370 mm
Bracket Length (approx.)	-	200 mm	200 mm
Installation Type	Pole: Ø 35 ÷ 60 mm Wall: screws (not included)		

Measured values excluding cable losses

MADE IN ITALY Since 1972





**SIRIO**<sup>®</sup>  
antenne

Head Office and Facilities  
Via Liguria, 15 - 46049 Volta Mantovana (MN) ITALY  
Tel. +39 0376 801515 - <https://www.sirioantenne.it>  
mail: [sales@sirioantenne.it](mailto:sales@sirioantenne.it) - [info@sirioantenne.it](mailto:info@sirioantenne.it)

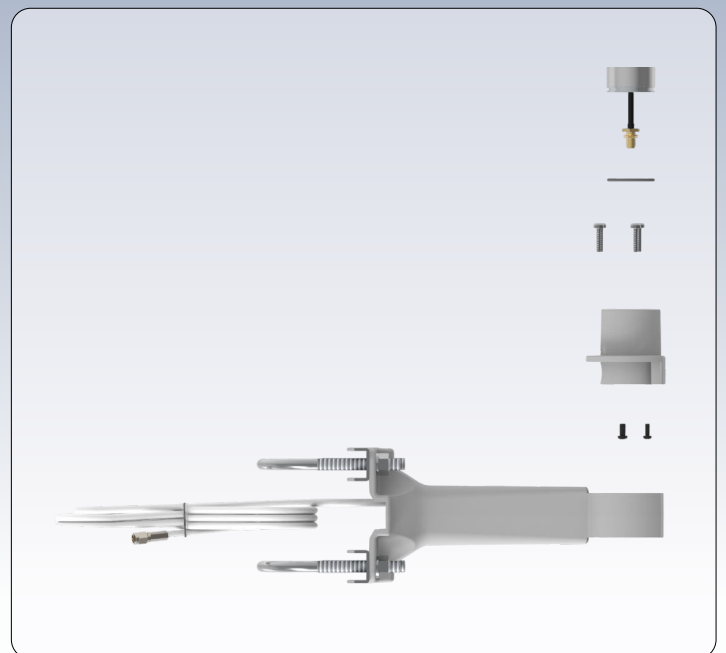
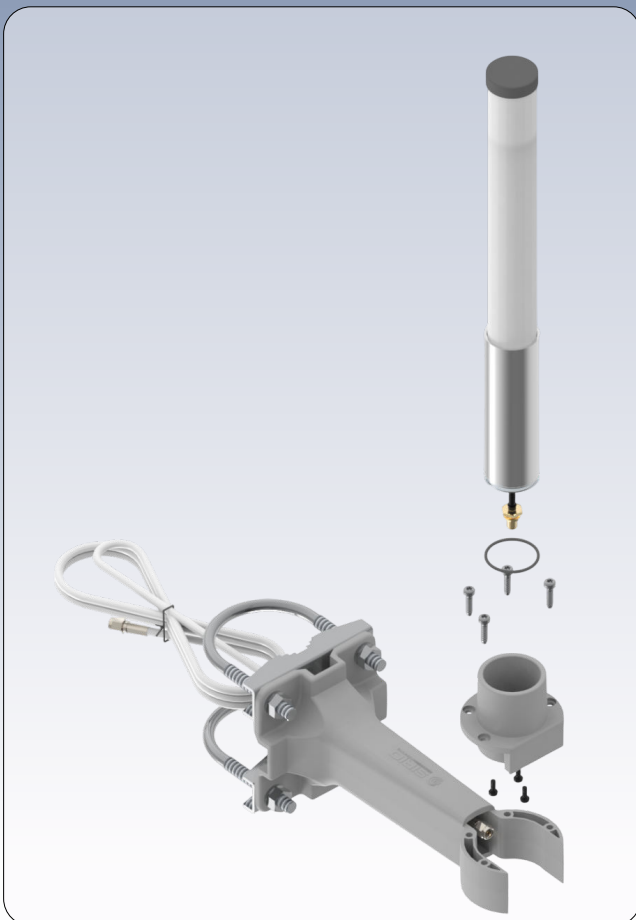
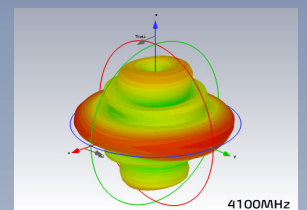
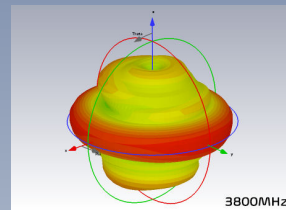
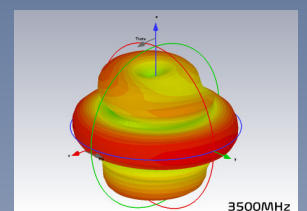
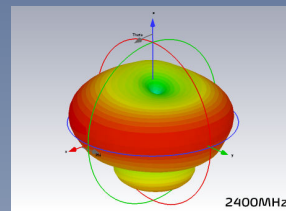
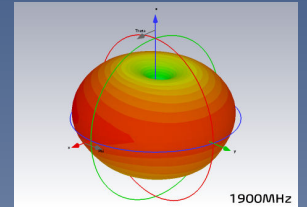
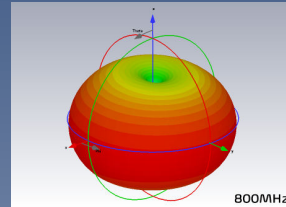
# New SO 5G Series



## Frequency-Independent Maximum Gain close to 0°

The core advantage of this **patented** antenna is its beam stability: the maximum gain remains close to 0° across the entire frequency range

- **Zero Beam Squint:** The main lobe never shifts, regardless of frequency changes.
- **Consistent Precision:** Maximum power is always locked on the boresight axis.
- **Simplified Alignment:** One single pointing ensures peak performance across all bands.



The new FT-7 bracket is designed for both wall and mast installation, **supporting both horizontal and vertical mast mounting 36 to 60 mm size**. Thanks to its structural strength, **tested for a maximum load of 50 kg**, the component ensures reliability in all configurations. The built-in cavity allows the protected cable routing, optimising the overall reliability and durability of the system.

**MADE IN ITALY** Since 1972

