

**SO-5G w/5m cable SO-5G MiMo w/2x5m cable**  
**Sirio Omnidirectional Multi-Band**  
**(650-960 MHz & 1.71-2.7 GHz & 3.3-4.2 GHz)**

**MAIN FEATURES**

- Omnidirectional Wide Band Dipole antenna (from 650 to 4200 MHz).
- Working on 5G spectrum (2G-GSM, 3G-UMTS, 4G-LTE, 5G, WiFi, W-Lan etc).
- MiMo 2x system
- New FT-7 plastic bracket for installation on the horizontal or vertical mast.
- Completely sealed and waterproof IP67
- Fully designed & Manufactured in Italy
- Fully assembled supply
- Product is **PATENTED**



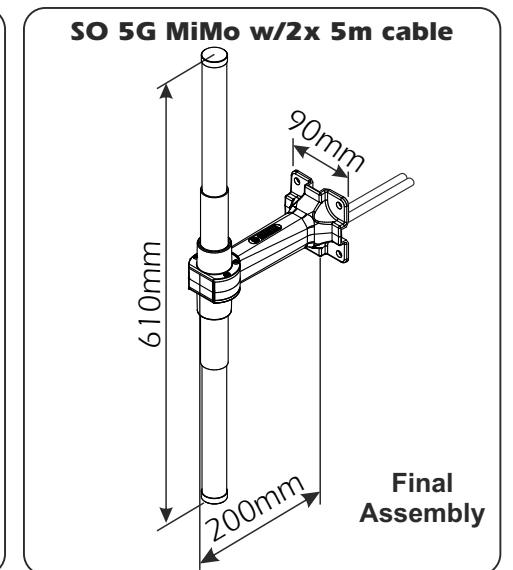
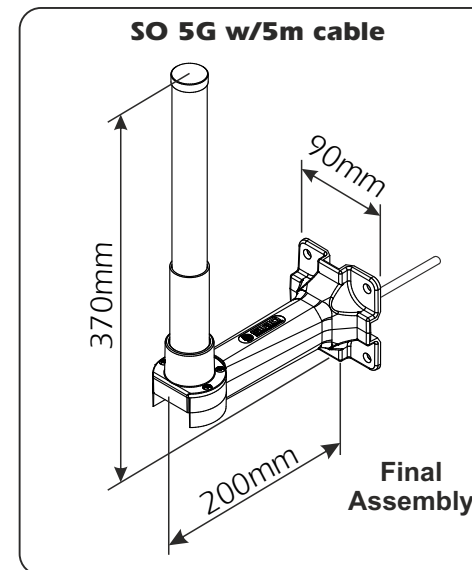
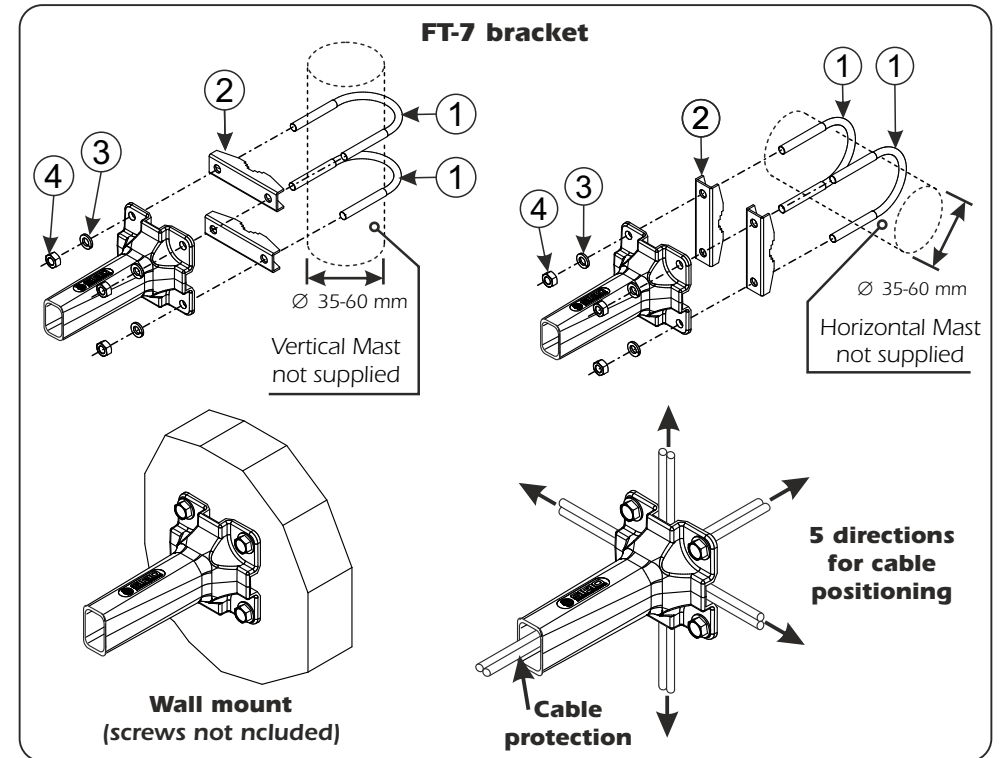
## SPECIFICATIONS

Electrical Data	SO-5G w/5m cable	SO-5G MiMo w/2x 5m cable
Type	Wide Band Dipole	2x Wide Band Dipole
Frequency Range	650 ÷ 960 MHz, 1.7 ÷ 2.7 GHz, 3.3 ÷ 4.2 GHz (5G, 4G-LTE, W-lan etc.)	
Impedance	50 Ω	
Radiation (H-plane)	360° omnidirectional	
Radiation (E-plane) Beamwidth @ -3 dB:	see diagrams	
Radiation angle deg.	0°	
Polarization	Linear Vertical	
Gain	650 ÷ 960 MHz = 2.1 dBi 1.7 ÷ 2.7 GHz = 4 ÷ 6 dBi 3.3 ÷ 4.2 GHz = 6 ÷ 8 dBi	both 650 ÷ 960 MHz = 2.1 dBi 1.7 ÷ 2.7 GHz = 4 ÷ 6 dBi 3.3 ÷ 4.2 GHz = 6 ÷ 8 dBi
Correlation Coefficient	/	< 0.003
Isolation	/	> 19 dB @ 650 ÷ 960 MHz > 25 dB @ 1.7 ÷ 4.2 GHz
Max Power (CW) @ 30° C	10 Watts @ 650 ÷ 960 MHz 5 Watts @ 1.7 ÷ 4.2 GHz	both 10 Watts @ 650 ÷ 960 MHz 5 Watts @ 1.7 ÷ 4.2 GHz
Cable Length	5m; 16.4 ft other on request	2x 5m; 16.4 ft other on request
Cable Type / Connector	White Low loss / SMA-male, on request	White Low loss / 2x SMA-male, on request

## Mechanical Data

Housing & Radome Material	Fiberglass, PCB, Anodized aluminium, Nickel plated brass	
Bracket & Hardware Material	Stainless steel, Molded Plastic	
Wind Load @ 150 Km/h, 93 mi/h	27 N	37 N
Wind Resistance	200 Km/h, 124 mi/h	200 Km/h, 124 mi/h
Wind Surface	0.018 m <sup>2</sup> ; 0.19 ft <sup>2</sup>	0.027 m <sup>2</sup> ; 0.29 ft <sup>2</sup>
Dimensions (approx.)	LxWxH: 90x200x370 mm; 3.5x7.9x14.5 in	LxWxH: 90x200x610 mm; 3.5x7.9x24 in
Weight (whit bracket, approx.)	970 gr, 2.1 lb	1320 gr, 2.9 lb
Operating Temperature	-40 °C to +80 °C	
Ingress Protection	IP 67	
Installation type	Horizontal or Vertical mast: Ø 35 ÷ 60mm, Ø 1.4 ÷ 2.4 inch with U-bolt Wall: with screws (not included)	

## MOUNTING INSTRUCTIONS



### Mounting needed tools:

13 mm open key

### Fixing Accesories Parts List

Re-order code: WKI00044

Pos	Q.ty	Description
1	2	M8x97 mm U-bolts
2	2	Stainless steel bracket
3	4	M8 spring lock washers
4	4	M8 hexagonal nuts