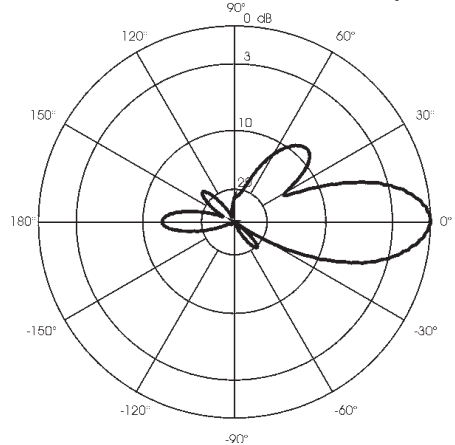


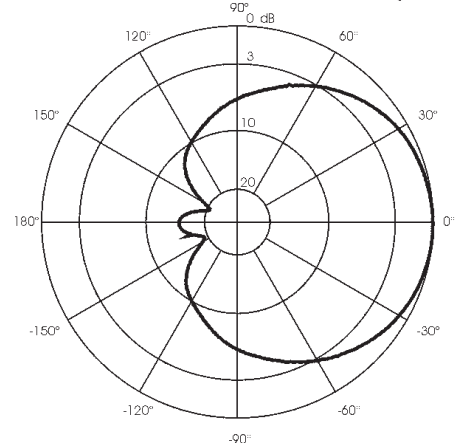
SMS - 2.4 x 3 - 9

WLAN Base Station Antenna 2400-2485 MHz

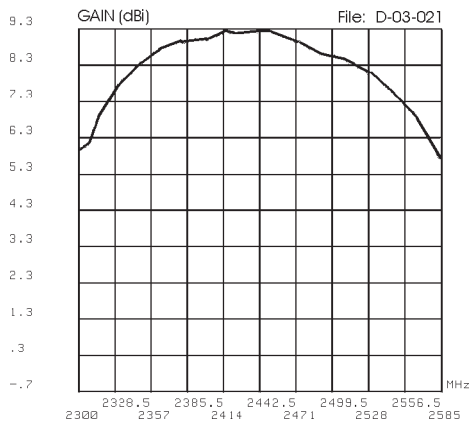
TYPICAL RADIATION PATTERN in E-plane at 2442.5 MHz
File: E-03-021



TYPICAL RADIATION PATTERN in H-plane at 2442.5 MHz
File: E-03-021



TYPICAL GAIN DIAGRAM vs FREQUENCY



Installation Manual

DESCRIPTION

Base station antenna conceived for W-LAN system. The radiant element is a Teflon® PCB to guarantee high power and low losses and it is protected by ASA radome. It's supplied with an aluminium bracket for an easy installation on the mast. The antenna is made of 3 separate sectors covering 120° each. When both sectors work in the same time they can cover 360° horizontal.

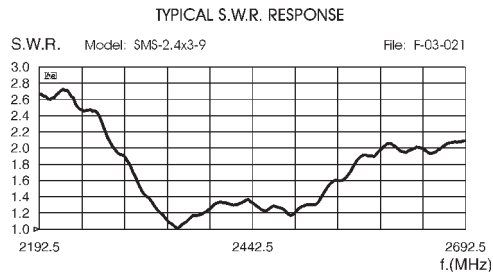
SPECIFICATIONS

Electrical Data

Type	: Multi Sector Dipole Array
Frequency Range	: 2400-2485 MHz for W-LAN system
Impedance	: 50 Ω Unbalanced
3 dB Beamwidth Horizontal	: H-plane 122° at 2442.5 MHz
3 dB Beamwidth Vertical	: E-plane 28° at 2442.5 MHz
Radiation Angle	: 0°
Front to Back Ratio	: ≥ 11 dB
Isolation	: ≥ 30 dB (between any two port)
Polarization	: Linear Vertical
Gain	: 7.2 dBd - 9.3 dBi
V.S.W.R. in Bandwidth	: $\leq 1.4:1$
Max Power	: 20 Watts (CW) at 50° C
Feed System / Position	: direct DC-ground / Base
Connector type	: 3 x N-female

Mechanical Data

Housing Materials	: Aluminium, Stainless Steel, PCB
Radome Material	: Thermoplastic UV stabilized
Wind Load / Resistance	: 60 N at 150 Km/h / 200 Km/h
Wind Surface	: 0.05 m ²
Height (approx.)	: 600 mm
Radome diameter	: $\varnothing 136$ mm
Weight (approx.)	: 1250 gr
Operating Temperature	: -40° C to 80° C
Mounting Mast	: $\varnothing 35-54$ mm



MOUNTING INSTRUCTIONS

