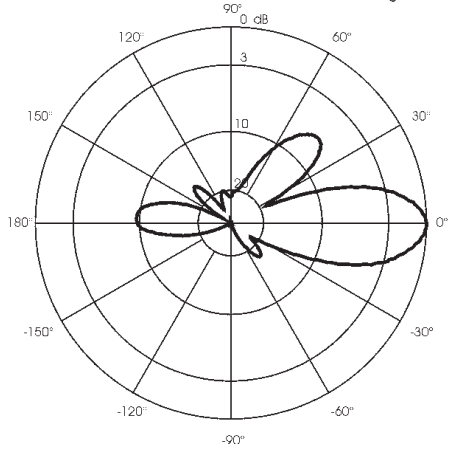


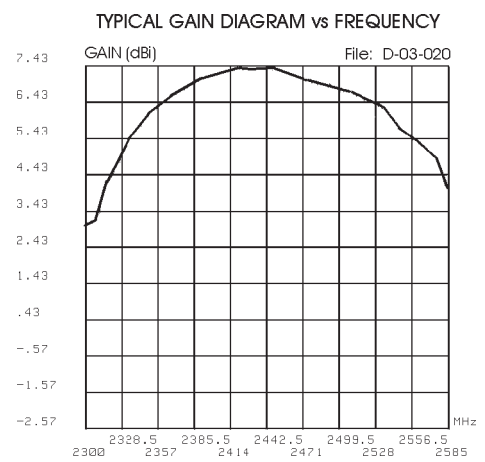
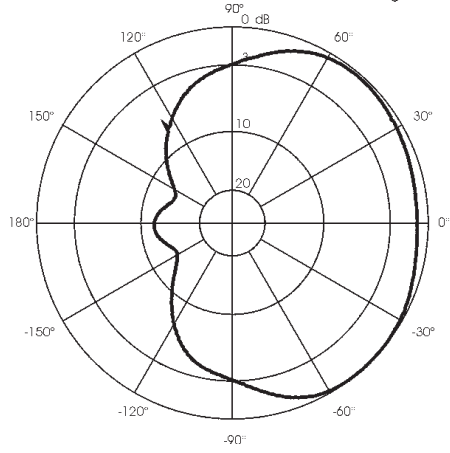
# SMS - 2.4 x 2 - 8

*WLAN Base Station Antenna 2400-2485 MHz*

TYPICAL RADIATION PATTERN in E-plane at 2442.5 MHz  
File: E-03-020 Scale: logarithmic



TYPICAL RADIATION PATTERN in H-plane at 2442.5 MHz  
File: E-03-020 Scale: logarithmic



## *Installation Manual*

## DESCRIPTION

Base station antenna conceived for W-LAN system. The radiant element is a Teflon® PCB to guarantee high power and low losses and it is protected by ASA radome. It's supplied with an aluminium bracket for an easy installation on the mast. The antenna is made of 2 separate sectors covering 180° each. When both sectors work in the same time they can cover 360° horizontal.

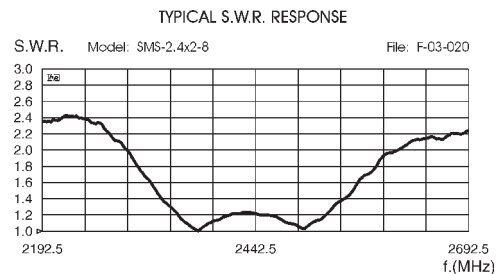
## SPECIFICATIONS

### Electrical Data

Type	:	Multi Sector Dipole Array
Frequency Range	:	2400-2485 MHz for W-LAN system
Impedance	:	50 $\Omega$ Unbalanced
3 dB Beamwidth Horizontal	:	H-plane 180° at 2442.5 MHz
3 dB Beamwidth Vertical	:	E-plane 27° at 2442.5 MHz
Radiation Angle	:	0°
Front to Back Ratio	:	$\geq 9$ dB
Isolation	:	$\geq 30$ dB
Polarization	:	Linear Vertical
Gain	:	5.3 dBd - 7.4 dBi
V.S.W.R. in Bandwidth	:	$\leq 1.3:1$
Max Power	:	20 Watts (CW) at 50° C
Feed System / Position	:	direct DC-ground / Base
Connector type	:	2 x N-female

### Mechanical Data

Housing Materials	:	Aluminium, Stainless Steel, PCB
Radome Material	:	Thermoplastic UV stabilized
Wind Load / Resistance	:	60 N at 150 Km/h / 200 Km/h
Wind Surface	:	0.05 m <sup>2</sup>
Height (approx.)	:	600 mm
Radome diameter	:	$\varnothing 136$ mm
Weight (approx.)	:	1150 gr
Operating Temperature	:	-40° C to 80° C
Mounting Mast	:	$\varnothing 35$ -54 mm



## MOUNTING INSTRUCTIONS

