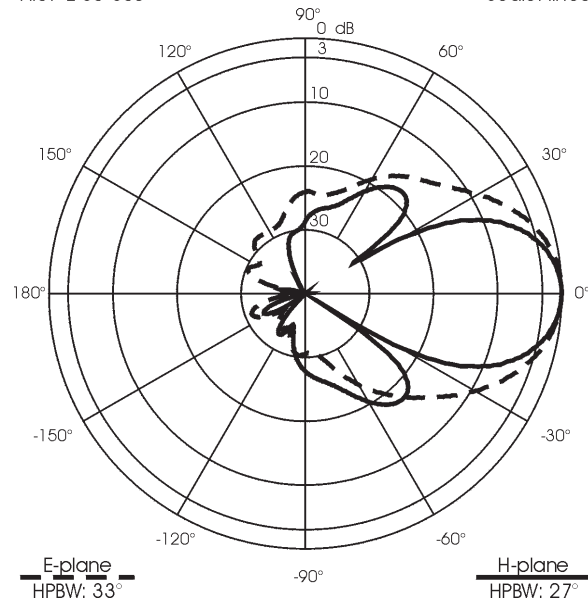


TYPICAL RADIATION PATTERN at 2442.5 MHz

File: E-03-038

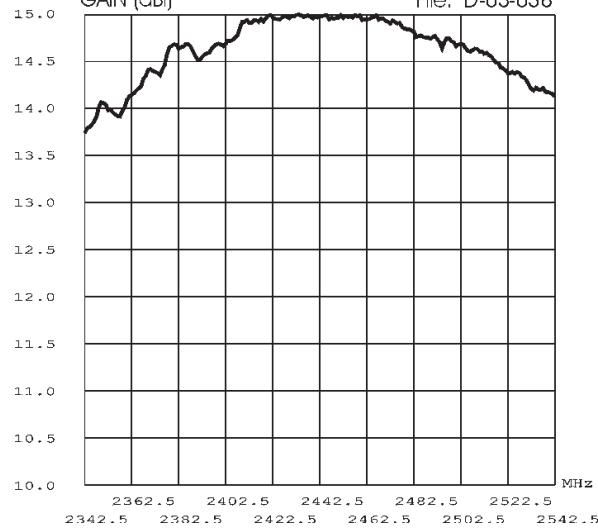
Scale: linear



TYPICAL GAIN DIAGRAM vs FREQUENCY

GAIN (dBi)

File: D-03-038



SDC-2.4-15

UHF Base Station Cavity Backed Antenna 2400 - 2485 MHz W-LAN



Installation Manual

DESCRIPTION

Directional base station antenna for outdoor use working on 2400-2485 MHz conceived for WLAN system. The radiant element, made of brass, is mounted into a metal case and sealed with a thermoplastic cover. It's supplied with a stainless steel bracket for an easy installation on the mast in vertical or horizontal polarization.

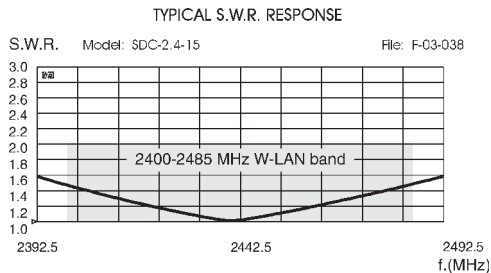
SPECIFICATIONS

Electrical Data

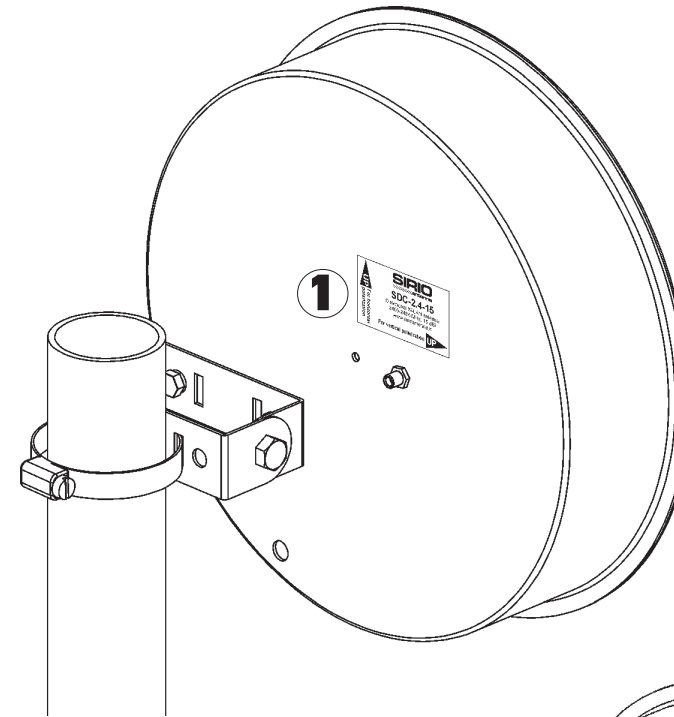
Type	: Cavity Backed
Frequency Range	: 2400-2485 MHz for W-LAN band
Impedance	: 50 Ω Unbalanced
Polarization	: Linear Vertical or Horizontal
Gain	: 15 dBi
Half Power Beam Width	
E-plane	: 33° at 2442.5 MHz
H-plane	: 27° at 2442.5 MHz
Downtilt	: Mechanical: Bracket tilt function
Front to back ratio	: ≥ 25 dB
V.S.W.R. in Bandwidth	: $\leq 1.6:1$
Max Power	: 20 Watts (CW) at 50° C
Lightning protection	: DC-ground
Connector type	: SMA-female

Mechanical Data

Housing Material	: Case: aluminium grey RAL 9007; Antenna element: brass; Bracket and hardware: stainless steel
Radome Material	: Light grey RAL 7035 thermoplastic UV stabilized
Wind load / Resistance	: 104 N at 150 Km/h / 160 Km/h
Wind surface	: 0.06 m ²
Dimensions (approx.)	: \varnothing 275 x 80 mm without bracket
Weight (approx.)	: 720 gr
Mounting	: Mast \varnothing 35-50 mm with clamp included Wall with mounting screws (not included)



MOUNTING INSTRUCTIONS



**Mounting on the mast
with clamp included**

Polarization:

The antenna polarization is shown on the label stucked on the rear side of the antenna ①.

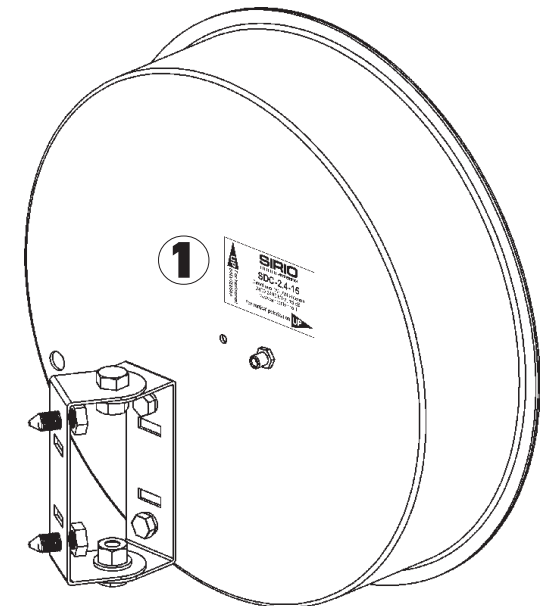
Usually the vertical polarization is used for the networks access and the horizontal polarization for point to point links.

Weather proofing:

The SMA connector is weather proofed thanks to the supplied heat shrinking tube. Make use of a hot air gun to shrink the shrinking tube.

Important:

The drainage holes must be at the bottom of the antenna.



**Mounting on the wall with
screws (not included)**