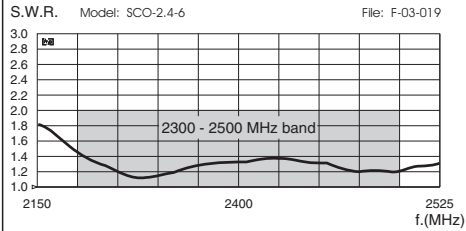


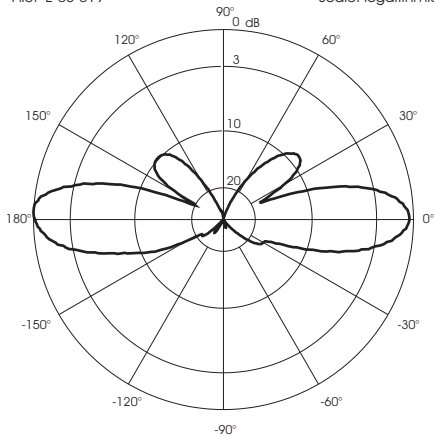
## SCO-2.4-6

### TYPICAL S.W.R. RESPONSE



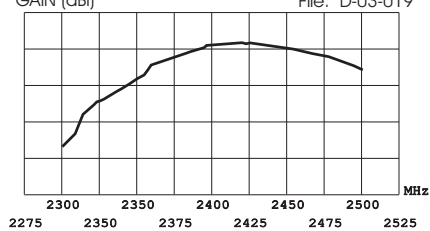
### TYPICAL RADIATION PATTERN IN E-plane at 2442.5 MHz

File: E-03-019 Scale: logarithmic



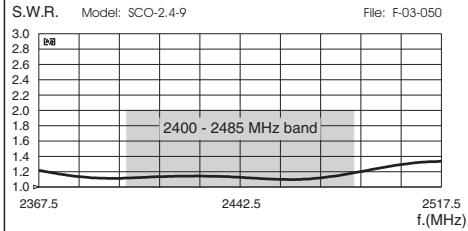
### TYPICAL GAIN DIAGRAM vs FREQUENCY

GAIN (dBi) File: D-03-019



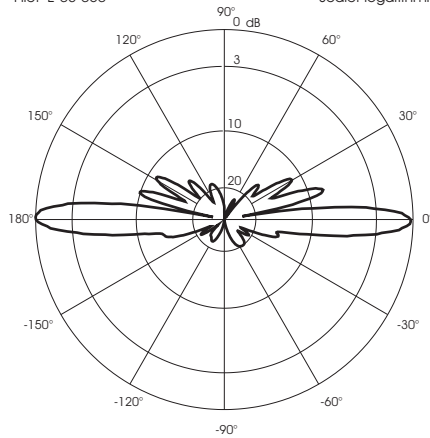
## SCO-2.4-9

### TYPICAL S.W.R. RESPONSE



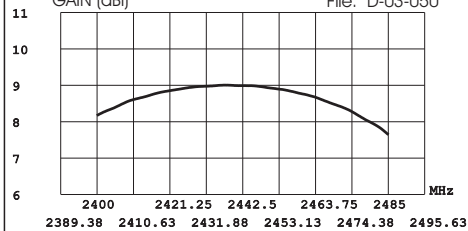
### TYPICAL RADIATION PATTERN IN E-PLANE at 2442.5 MHz

File: E-03-050 Scale: logarithmic



### TYPICAL GAIN DIAGRAM vs FREQUENCY

GAIN (dBi) File: D-03-050



# OMNI W-LAN

## SCO-2.4-6 SCO-2.4-9

### UHF Base Station Antenna 2400 - 2485 MHz



SCO-2.4-6



SCO-2.4-9

## DESCRIPTION

Base station antenna working on 2.3-2.5 GHz conceived for W-LAN system. The radiant element is made of Teflon® PCB to guarantee high power and low losses and it is protected by a fiberglass tube. Its supplied with an aluminium bracket for an easy installation on the mast.

## SPECIFICATIONS

### Electrical Data

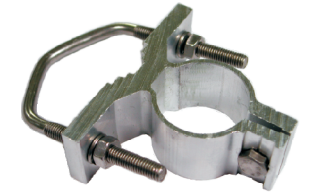
Type	: Collinear Dipole Array
Frequency Range	: SCO-2.4-6      2300-2500 MHz SCO-2.4-9      2400-2485 MHz
Impedance	: 50
Polarization	: Linear Vertical
Max Gain	: SCO-2.4-6      6 dBi SCO-2.4-9      9 dBi
3 dB Beamwidth Vertical	: SCO-2.4-6      22° @ 3550 MHz SCO-2.4-9      10° @ 3550 MHz
Beamwidth Horizontal	: 360° omnidirectional
Downtilt	: 0°
SWR in Bandwidth	: 1.5
Max Power	: 20 Watts (CW) @ 30° C
Grounding Protection	: All metal parts are DC-grounded, the inner conductor shows a DC-short
Connector type	: N-female, gold plated central pin

### Mechanical Data

Housing Materials	: Aluminium, Stainless Steel, Chromed Brass
Radome Material	: White Fiberglass
Wind Load / Resistance	: 19N @ 150 Km/h / 200 Km/h
Wind Surface	: 0.015 m <sup>2</sup>
Height (approx.)	: SCO-2.4-6      325 mm SCO-2.4-9      630 mm
Weight (approx.)	: SCO-2.4-6      350 gr SCO-2.4-9      415 gr
Operating Temperature	: -40° C to 80° C
Mounting Mast	: 35-54 mm

## MOUNTING INSTRUCTIONS

### Fixing bracket:



### Fixing bracket part list

Q.ty	Description
1	Extruded aluminium bracket
1	M6x188 V-bolt
1	M6x20 Exagonal head screw
3	M6 Spring lock washer
3	M6 Hexagonal nut
Materials: extruded aluminum	
Hardware: stainless steel	
Dimensions:	80 x 76 x 25 mm
Weight:	110 g
<b>Re-order code: SA161</b>	

