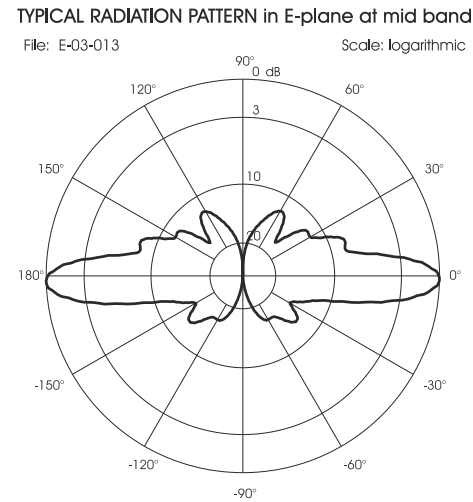
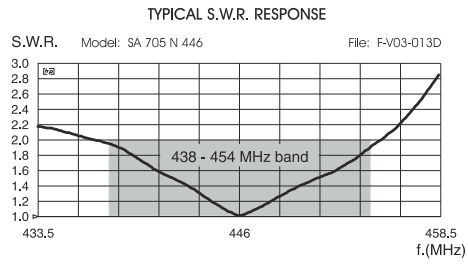
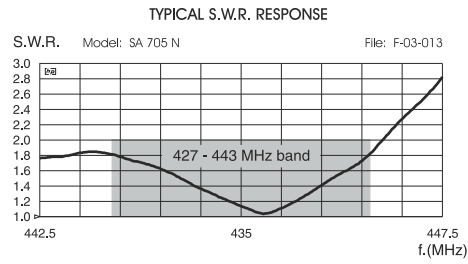
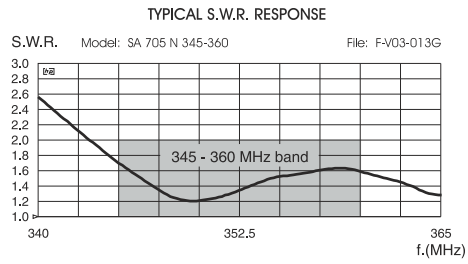


# SA 705 N series

## Fiberglass Hi-Gain UHF Antenna



### Installation Manual



## DESCRIPTION

Ground Plane colinear antennas for base station service specially conceived for the 70cm amateur band. It is made of very good quality materials to get the best robustness and the highest performance. Its whip is of brass inserted in a fiberglass tube for a total protection against the worst climates and its radials are of stainless steel to get the maximum strength. It is supplied with a solid aluminium bracket for an easy and safe installation to the support mast.

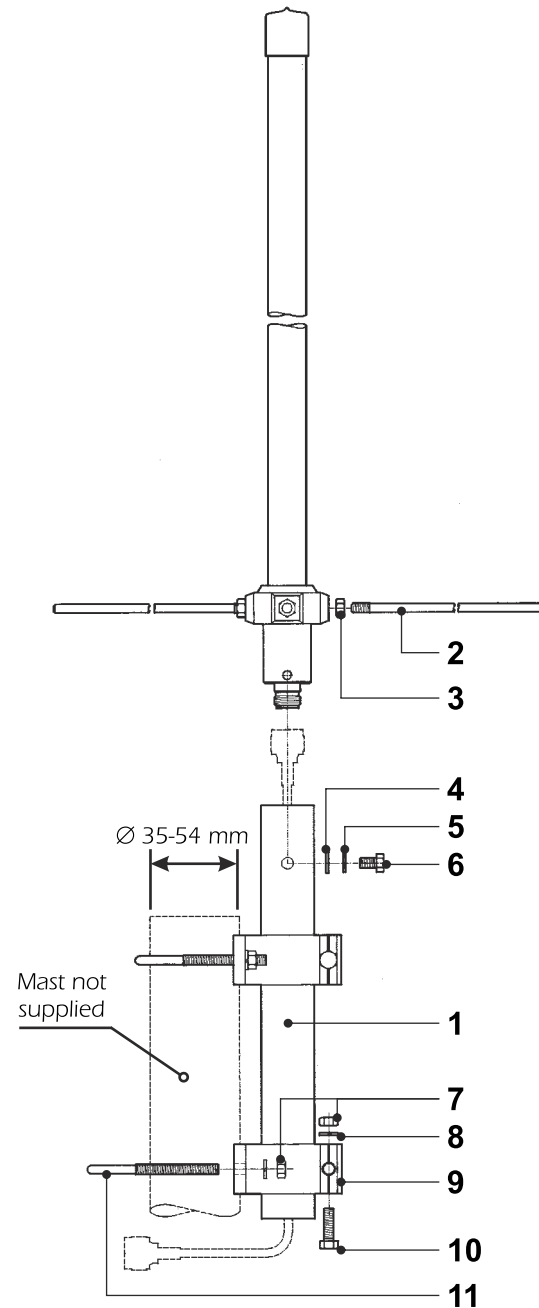
## SPECIFICATIONS

Electrical Data	SA 705-N 345-360	SA 705-N 427-443	SA 705-N 446
Type	5 x 5/8 λ Ground Plane Colinear		
Frequency Range @ SWR ≤ 2	345 - 360 MHz	427-443 MHz	438-454 MHz
Impedance	50 Ω		
Radiation (H-plane)	360° omnidirectional		
Radiation (E-plane)	Beamwidth @ -3 dB = 17°		
Radiation angle deg.	-1.5°		
Polarization	Linear Vertical		
Gain	7.1 dBd - 9.25 dBi		
Max Power (CW) @ 30° C	200 Watts		
Grounding Protection	All metal parts are DC-grounded, the inner conductor show a DC-short	All metal parts are DC-grounded, the inner conductor is coupled capacitively	All metal parts are DC-grounded, the inner conductor is coupled capacitively
Connector	N-female, gold plated central pin		

## Mechanical Data

Materials	Fiberglass, Stainless Steel, Aluminium, Chromed Brass		
Wind Load	90 N @ 150 Km/h	81 N @ 150 Km/h	80 N @ 150 Km/h
Wind Resistance	150 Km/h; 93 mi/h	150 Km/h; 93 mi/h	150 Km/h; 93 mi/h
Wind Surface	0.08 m <sup>2</sup> ; 0.86 ft <sup>2</sup>	0.07 m <sup>2</sup> ; 0.75 ft <sup>2</sup>	0.07 m <sup>2</sup> ; 0.75 ft <sup>2</sup>
Height (approx.)	3230 mm; 10.6 ft	2770 mm; 9.1 ft	2720 mm; 8.9 ft
Weight (approx.)	1630 gr; 3.6 lb	1270 gr; 2.8 lb	1270 gr; 2.8 lb
Radial Length (approx.)	170 mm; 0.56 ft		
Mounting Mast	Ø 35-54 mm; 1.4-2.1 in with V-bolt		

## MOUNTING INSTRUCTIONS



Part list		
Pos	Q.ty	Description
1	1	Ø 29x32x250mm alu. tube
2	3	170mm Stainless steel radials

Antenna Fixing Part list Re-order code: SA038		
Pos	Q.ty	Description
3	3	M6 Hexagonal nut
4	1	M6 washer
5	1	M6 Spring lock washer
6	1	M6x10 Hexagonal head screw

Fixing Bracket Part list Re-order code: SA104		
Pos	Q.ty	Description
7	6	M6 Hexagonal nut
8	6	M6 Spring lock washer
9	2	Extruded aluminium bracket
10	2	M6x20 Hexagonal head screw
11	2	M6x188 V-bolt

**Mounting needed tools:**  
10 mm open key

