

HGO - 3G (Patent Pending)

Multi Band Base Station Antenna

DESCRIPTION: Multi band omnidirectional base station antenna conceived for GSM 900/1800 dual-band, UMTS and W-LAN systems. Thanks to its very new (patent pending) electrical structure the antenna guarantees high gain on both bands. It is protected by thermoplastic UV stabilized material for the best robustness and long life. It is supplied with plastic bracket and fixing hardware for an easy installation on the mast or on the wall and it comes with 50cm (or 5m) low loss cable /SMA-m



**Very flat
only 8mm
thickness**

**Very compact and
discrete hi-gain
omnidirectional**

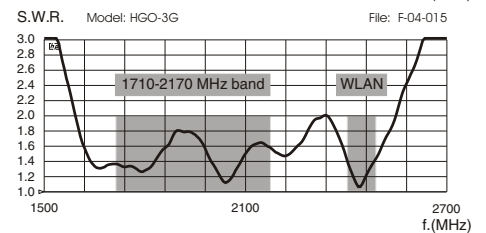
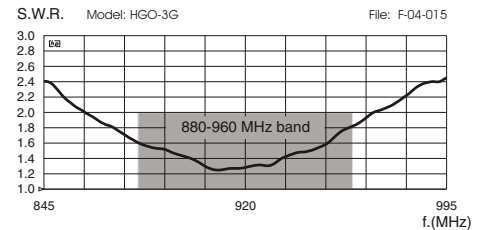
Electrical Data

Type	Multi Band Dipole Array
Frequency Range	GSM 900&1800: 880-960 & 1710-1880 MHz UMTS: 1920-2170 MHz WLAN: 2400-2485 MHz
Impedance	50
Radiation (H-plane)	360° Omnidirectional
Radiation (E-plane)	Beamwidth @ -3dB = see diagrams
Radiation angle deg.	0°
Polarization	Linear Vertical
Gain	5 dBi for GSM 900&1800 and WLAN 6 dBi for UMTS
Max Power (CW) @ 30°C	20 Watts for GSM 900&1800 6 Watts for UMTS & W-LAN
Cable Type / Length	White Low Loss / 50cm (or 5m)
Connector	SMA-male (other type on request, acc min q.ty)

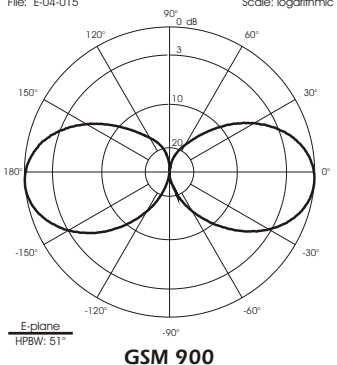
Mechanical Data

Materials	Thermoplastic UV Stabilized Grey RAL 7035, galvanized steel hardware
Wind Load @150 km/h	36 N
Wind Resistance	200 Km/h
Wind Surface	0.02 m ²
Operating temperature	-20°C to + 80°C
Dimensions (approx.)	335 x 166 x 144 mm with bracket
Weight (approx.)	350 gr
Installation Type	Mast: 25-42 mm with U-bolt (included) Wall: mounting screw (not included)

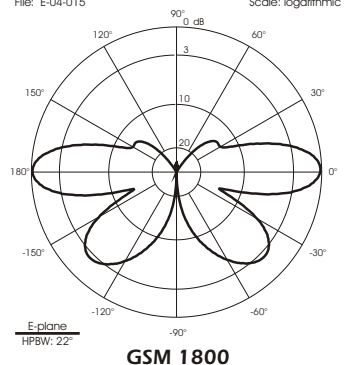
TYPICAL S.W.R. RESPONSE



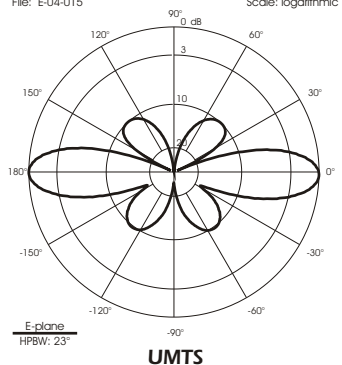
TYPICAL RADIATION PATTERN in E-plane at 920 MHz
File: E-04-015 Scale: logarithmic



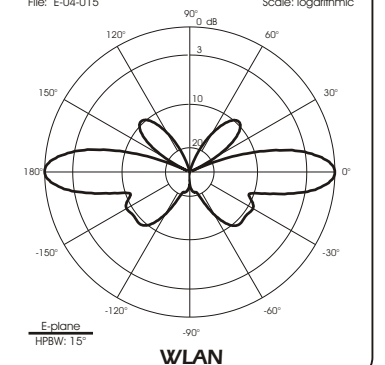
TYPICAL RADIATION PATTERN in E-plane at 1795 MHz
File: E-04-015 Scale: logarithmic



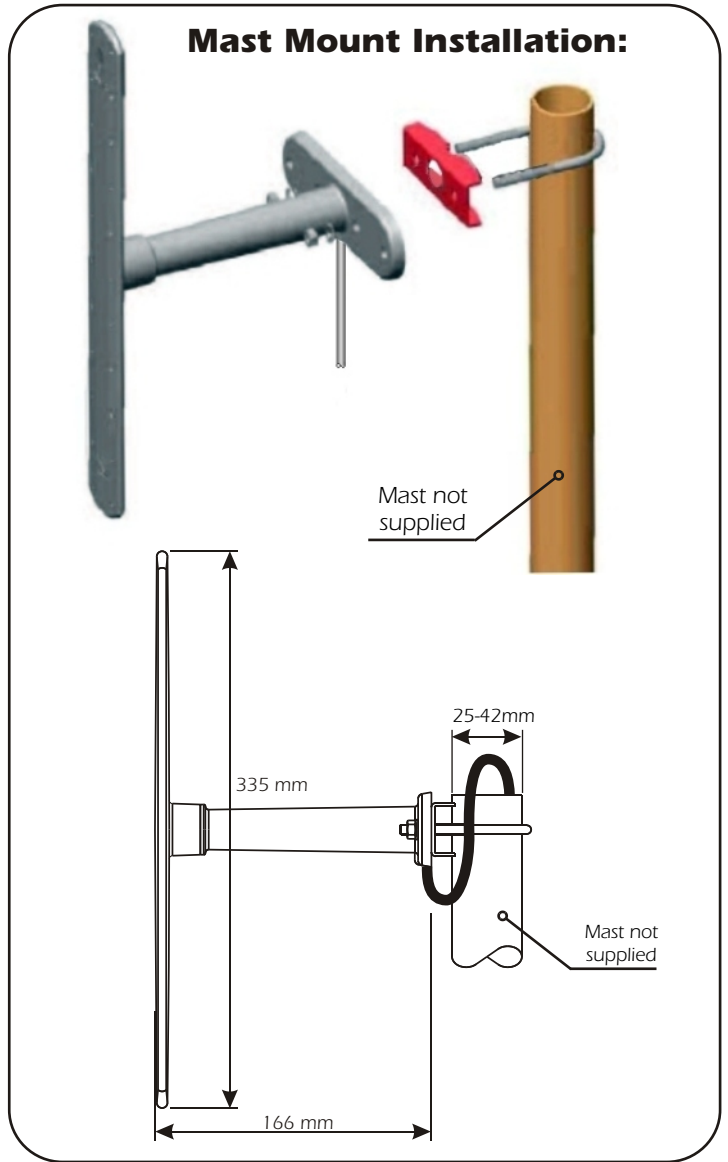
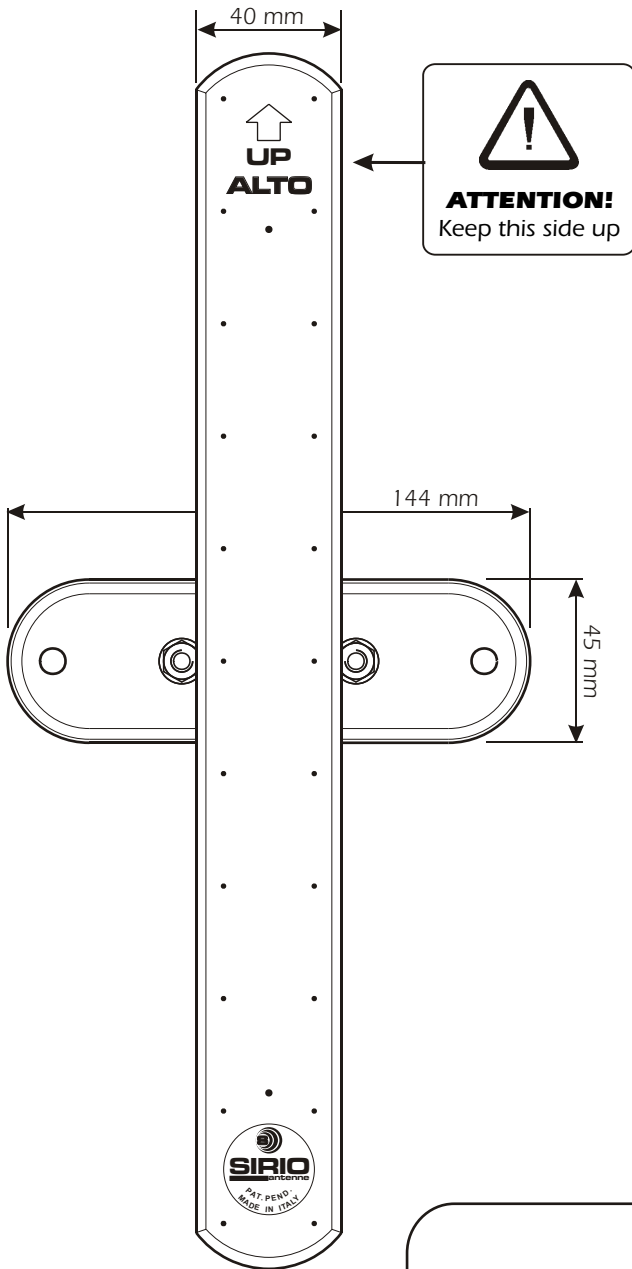
TYPICAL RADIATION PATTERN in E-plane at 2045 MHz
File: E-04-015 Scale: logarithmic



TYPICAL RADIATION PATTERN in E-plane at 2442.5 MHz
File: E-04-015 Scale: logarithmic



MOUNTING INSTRUCTIONS



Fixing bracket part list	
Q.ty	Description
1	Steel bracket
1	M6x180 U-bolt
2	M6 Flat Washer
2	M6 Lock washer
2	M6 Hexagonal nut

Mounting needed tools:	
n. 1	10 mm open key

