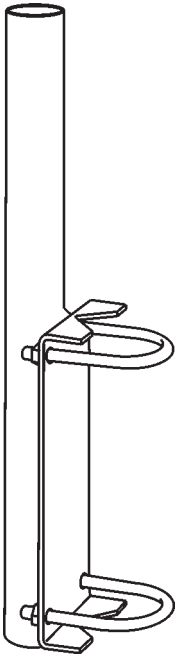


OPTIONAL FT-2 FIXING BRACKET



Type : Side Mast Fixing Bracket
Top Size : Ø 38 mm for antenna fitting
Bottom Size : Ø 42/50 mm for fitting on the mast
Weight (approx.) : 1100 gr
Material : Galvanized Steel

P/N 2510004.00 FT-2 Universal

Model **GP 430 LB** UHF Base Station Antenna 380-480 MHz



Installation Manual

DESCRIPTION

1/4 λ wide-band antenna for base station service covering the frequency range of 380-480 MHz. It as been developed according to the most modern technologies to assure a perfect protection against the worst atmospheric climates and to get the best performance. It is entirely made of aluminium to assure strength and robustness and its radial whip is earthed.

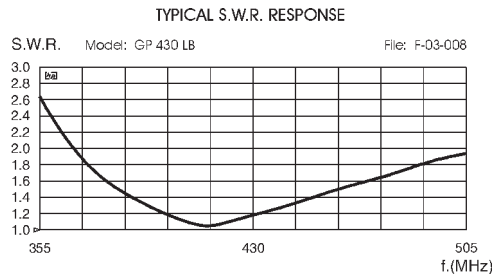
SPECIFICATIONS

Electrical Data

Type	:	1/4 λ Folded Ground Plane
Frequency Range	:	380-480 MHz at V.S.W.R. \leq 1.7:1
Impedance	:	50 Ω Unbalanced
Radiation (H-plane)	:	360° Omnidirectional
Radiation (E-plane)	:	Beamwidth at -3 dB = 80°
Radiation angle deg.	:	0°
Polarization	:	Vertical
Gain	:	0 dBd - 2.15 dBi
Bandwidth at V.S.W.R. 2:1	:	140 MHz
V.S.W.R. at res. freq.	:	\leq 1.2 : 1
Max Power	:	300 Watts
Feed System / Position	:	Direct DC-Ground / Center
Connector	:	
GP 430 LB - U	:	UHF Female, gold plated central pin
GP 430 LB - N	:	N Female, gold plated central pin and teflon insulator

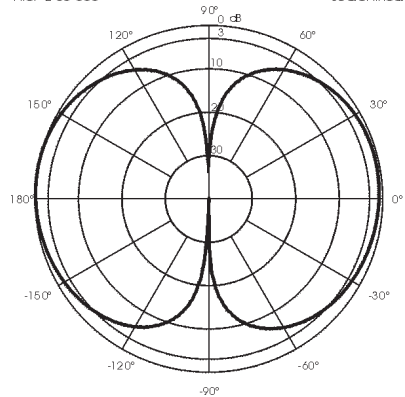
Mechanical Data

Materials	:	Anodized Aluminium, Nylon, Stainless Steel
Wind Load / Resistance	:	18 N at 150 Km/h / 180 Km/h
Wind Surface	:	0.02 m ²
Height (approx.)	:	295 mm
Weight (approx.)	:	830 gr
Mounting Mast	:	\varnothing 36-40 mm



TYPICAL RADIATION PATTERN in E-plane at 430 MHz

File: E-03-008 Scale: linear



MOUNTING INSTRUCTIONS

