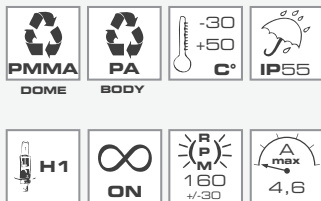




RTB/5 B
ISO B1 (FLAT BASE)

RTB/5 A
ISO A (MOUNT ON
ADAPTER SOCKET)

> ECE R65 APPROVED <
> EXCELLENT OPTICAL PERFORMANCE <



ALSO AVAILABLE



P BASE*
(M12 SINGLE BOLT
FIXING BASE)



B3M BASE*
(BASE WITH 3 MAGNETS,
HELIX CABLE AND
CIGARETTE
LIGHTER PLUG)

*see base section on page 35

RTB/5 | PART NO

	RTB/5 (ROTATING BEACON)	
	A	
	12/24V (WITHOUT BULB)	
ISO B1	73200	
ISO A	73001	
SINGLE BOLT FIXING BASE (P BASE)		83014
MAGNETIC BASE WITH CABLE (B3M BASE)		83152

RTB/5

Approved rotating beacons with methacrylate dome and fibreglass reinforced nylon base. PVC coating for ISO B1 base version.

Developed with halogen light source 55W and 70W.

KEY CHARACTERISTICS

VOLTAGE

12/24V DC (without bulb)

MOTOR

Parallel axis gear drive
Steel supporting plate with rubber dampers
Sintered bush bearing
Radio interference filter integrated in the motor

LIGHT INTENSITY

According to ECE R65

PROTECTION GRADE

IP55

OPERATING TEMPERATURE

-30/+50 °C

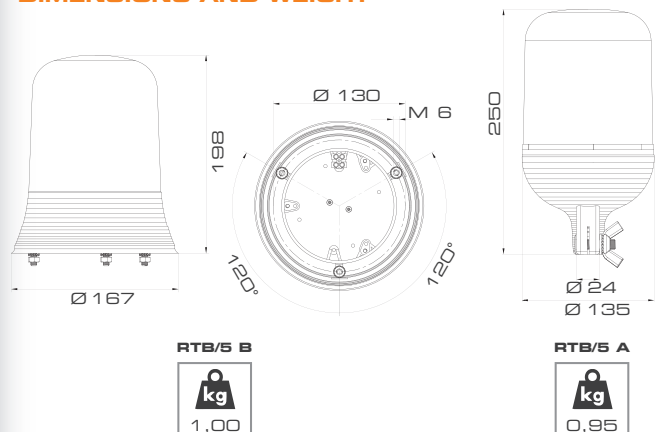
MECHANICAL FEATURES

Methacrylate dome (bayonet mount) and fibreglass reinforced nylon base (according to ISO 4148, standard form B1 and A). PVC coating for ISO B1 base version

OPTICAL FEATURES

Anodized aluminium reflector. Halogen light source H1 55W (12V) and 70W (24V)

DRAWINGS, DIMENSIONS AND WEIGHT



CERTIFICATIONS



HOMOLOGATION NUMBERS

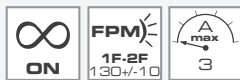
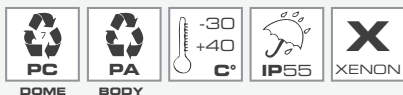
	RTB/5 (ROTATING BEACON)	
ECE R65 A E2	0090017	A
EMC 2006/28/CE e3	03 1154 (12/24V)	



RTB/5 FLASH B
ISO B1 (FLAT BASE)

RTB/5 FLASH A
ISO A (MOUNT ON
ADAPTER SOCKET)

- > ECE R65 APPROVED <
- > XENON DISCHARGE LAMP <
- > HIGH LIGHT INTENSITY <



ALSO AVAILABLE



P BASE*
(M12 SINGLE BOLT
FIXING BASE)



B3M BASE*
(BASE WITH 3 MAGNETS,
HELIX CABLE AND
CIGARETTE
LIGHTER PLUG)

*see base section on page 35

RTB/5 FLASH | PART NO

	RTB/5 FLASH (XENON FLASHING BEACON)			
	12V		24V	
	1F	2F	1F	2F
ISO B1	73061	73263	73063	73266
ISO A	73071	73246	73073	73245
SINGLE BOLT FIXING BASE (P BASE)				83014
MAGNETIC BASE WITH CABLE (B3M BASE)				83152

RTB/5 FLASH

Approved Xenon flashing beacons with polycarbonate dome and fibreglass reinforced nylon base. PVC coating for ISO B1 base version.

Developed with powerful Xenon discharge tube 10 Joules.

KEY CHARACTERISTICS

VOLTAGE

12V DC
24V DC

LIGHT EFFECT

STROBE: 10 Joules - single (1F) or double flash (2F)

LIGHT INTENSITY

According to ECE R65

PROTECTION GRADE

IP55

OPERATING TEMPERATURE

-30/+40 °C

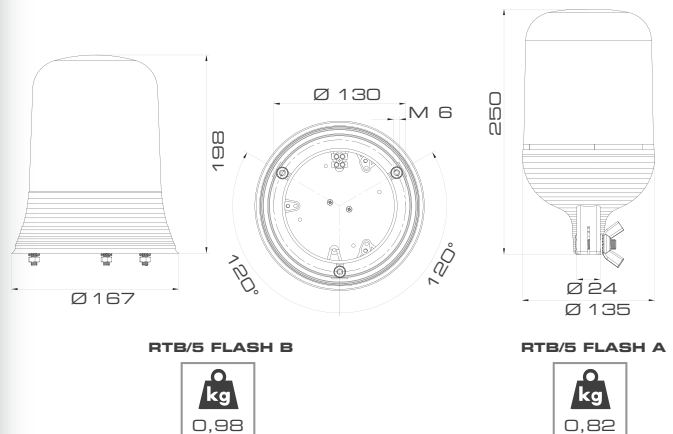
MECHANICAL FEATURES

Polycarbonate dome (bayonet mount) and fibreglass reinforced nylon base (according to ISO 4148, standard form B1 and A). PVC coating for ISO B1 base version

OPTICAL FEATURES

Powerful 10 Joules Xenon technology allows a high intensity flash (1F or 2F)

DRAWINGS, DIMENSIONS AND WEIGHT



CERTIFICATIONS



HOMOLOGATION NUMBERS

RTB/5 FLASH (XENON FLASHING BEACON)	
ECE R65 A E2	0092010 A
EMC 2006/28/CE e3	03 1149 (12V)
EMC 2006/28/CE e3	03 1148 (24V)