



FORC S B LED
FOTC S B LED
ISO B1 (FLAT BASE)



FORC S A LED
FOTC S A LED
ISO A (MOUNT ON ADAPTER SOCKET)



Radio remote control for FORC versions



Cable remote control for FOTC versions

- > **PATENTED** <
- > **REMOTE CONTROLLED** <
- > **HIGH LIGHT INTENSITY** <



ALSO AVAILABLE



FORC S M LED
FOTC S M LED
(BASE WITH 3 MAGNETS, HELIX CABLE AND CIGARETTE LIGHTER PLUG)



BD FORC S M LED
(BASE WITH 3 MAGNETS, HELIX CABLE, CIGARETTE LIGHTER PLUG AND GRID)

FORC LED - FOTC LED | PART NO

	FORC S LED (RADIOCONTROLLED LED SEARCH BEAM)		FOTC S LED (CABLE CONTROLLED LED SEARCH BEAM)	
	12V	24V	12V	24V
ISO B1	45200	45202	45240	45242
ISO A	45208	45210	45244	45246
M	45216	45218	45248	45250
BD	45224	45226	-	-

FORC LED - FOTC LED

Latest generation remote controlled search beams with LED luminous source, extremely bright light output. Radiocontrolled with automatic resetting (FORC S LED versions) or cable operated (FOTC S LED versions*).

High heat resistant polycarbonate dome and fibreglass reinforced nylon base.

* Option with automatic resetting available on request (FOTC ZERO LED)

KEY CHARACTERISTICS

VOLTAGE

12V DC
24V DC

MOTOR

Two worm gear motors guarantee a complete horizontal rotation and a vertical rotation (upwards and downwards at 260° approx.)
Five sintered brushes allow electrical contacts between the fixed base and the moving part of the beam.

LIGHT INTENSITY

50.000 Cd(p)

PROTECTION GRADE

IP55

OPERATING TEMPERATURE

-20/+50 °C

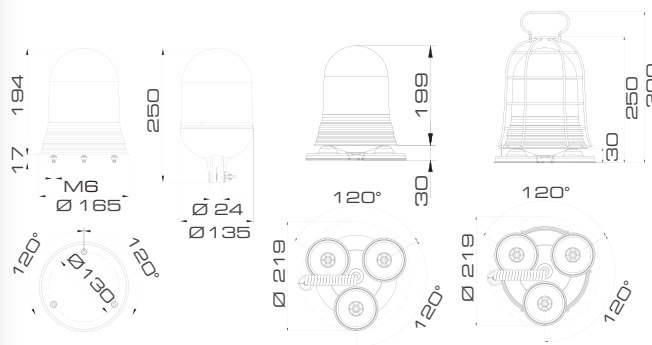
MECHANICAL FEATURES

High heat resistant polycarbonate dome and fibreglass reinforced nylon base (according to ISO 4148, standard form B1 and A). Magnetic versions also available (FORC S M LED - BD FORC S M LED)

OPTICAL FEATURES

Powerful LED source (1 High Power LED) projected on the reflector, producing a rich intense light beam

DRAWINGS, DIMENSIONS AND WEIGHT



FORC B	FORC A	FORC M	BD FORC
kg 1,15	kg 0,95	kg 2,60	kg 2,90

CERTIFICATIONS



HOMOLOGATION NUMBERS

FORC S LED (RADIOCONTROLLED LED SEARCH BEAM)	FOTC S LED (CABLE CONTROLLED LED SEARCH BEAM)
EMC UNECE E3 10R 04 1222 (12-24V)	04 1223 (12-24V)