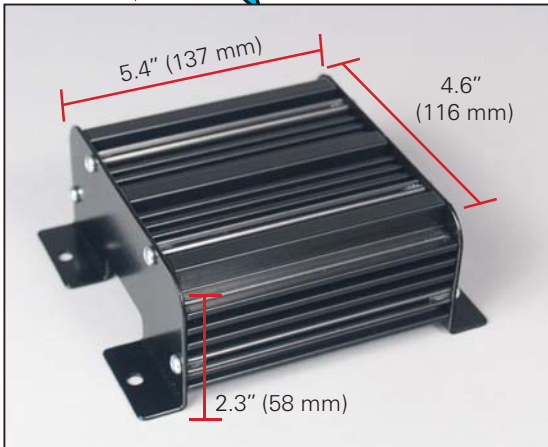
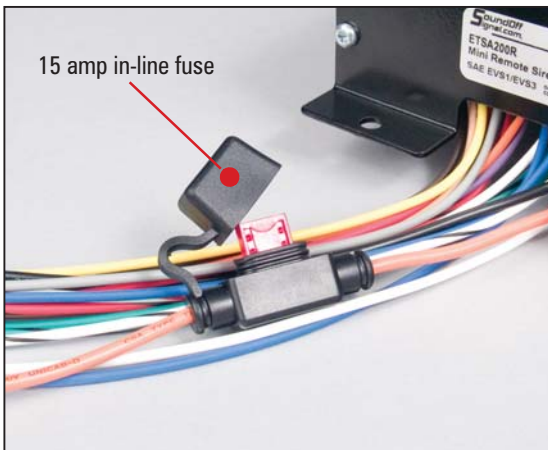


**NEW!**

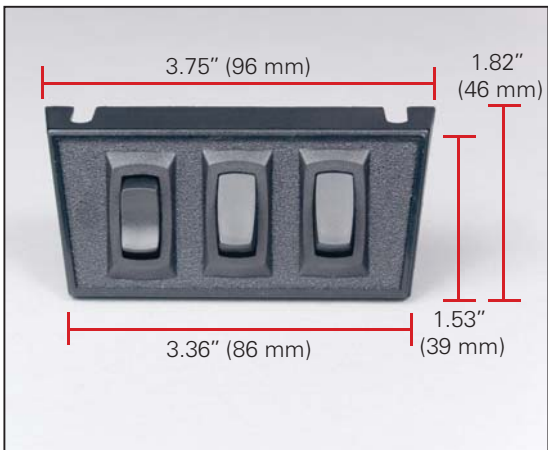
# 200 SERIES Compact Siren



Remote Amplifier has a small, compact size perfect for motorcycles & undercover vehicles.



Install as a single 100 watt output or use with 2 - 58 watt outputs. Voltage Range: 10-30 Vdc.



Ships with Switch Panel. 3-position switch has 1-On/Off switch & 2 Momentary switches.



#ETSA200R Compact Siren



- Perfect for use in motorcycles or undercover vehicles, the 200 Series Compact Siren has a small size & remote amplifier for tight spaces.
- May be used with a single 100 watt speaker or with a single or dual 58 watt speakers.
- 5 popular Warning Tones (up to 3 tones can be activated): Wail, Yelp, Piercer, Hi-Lo & Super Hi-Lo. Plus 4 additional Air Horn tones available. *(Please visit our website to hear the tones. Look for Sirens under the Warning/Amber Products).*
- Horn Ring (Hands Free operation) controls the tones & can be programmed to play Warning or Air Horn tones. When driver presses the vehicle's horn it will activate or de-activate the siren in programmed tone.
- Volume Programming capability on Public Address (PA) & Radio Rebroadcast sets the volume at a desired level during installation so when the driver selects either option, volume is automatically set.
- Park/Kill feature disables the siren when the vehicle is placed in Park.



## TECHNICAL SPECIFICATIONS

Built-in Protection:	Over/Under Voltage, Over Temperature, Short Circuit, & Reverse Polarity
Voltage Range:	10 - 30 Vdc (negative ground)
Input Current:	8 amps @ 13.6 Vdc (100w speaker)
Standby Current:	< 1 mA
Audio Frequency:	200Hz - 10kHz + 3db
Siren Frequency:	675Hz - 1633Hz
Output Power:	100 watts RMS max. (11 Ohm Speaker Impedence)
Dimensions:	width x height x depth
Amplifier	4.5" (114 mm) x 2.3" (58 mm) x 4.5" (114 mm)
Switch Panel	3.75" (96 mm) x 1.53" (39 mm)

**SoundOFF Signal**  
**200 Series Compact Remote Siren**  
 1.800.338.7337 / www.soundoffsignal.com / 2010 New Product Release  
 Rev. 0610