



# Product Data Sheet

Power Divider

# TETRA UHF

## Power Divider

### DPD-550

Optimise antenna performance

Connect two bumper antennas to a radio

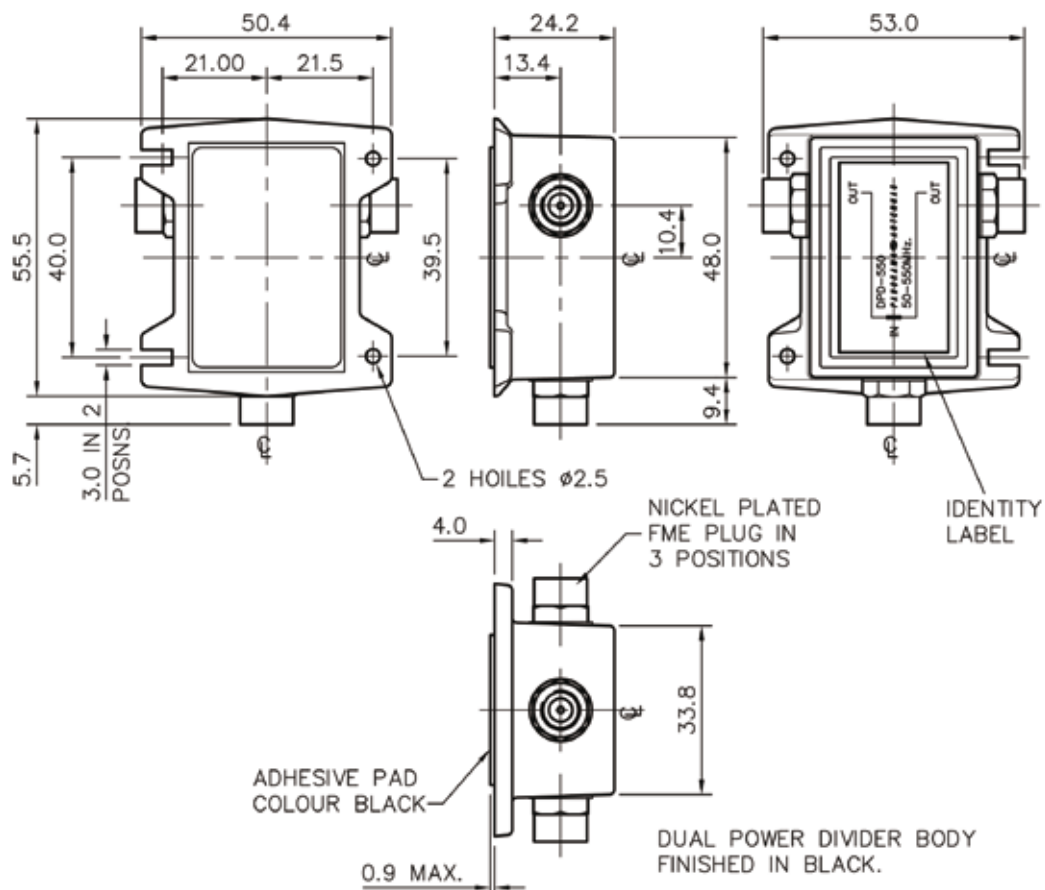


The Panorama power divider is designed for use with the Panorama Bumper Antennas.

For optimum performance two bumper antennas can be used, one at the front of the vehicle and one at the rear, to help create an omni-directional pattern around the vehicle and enable better network coverage.

Using a power divider ensures that a correctly matched antenna system is presented to the radio.

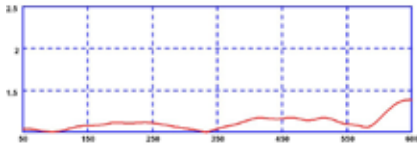
#### Technical Drawing



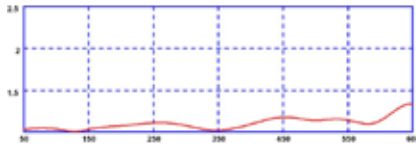
# TETRA UHF

## Power Divider

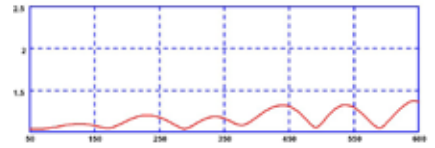
Port 1



Port 2



Port 3



<b>Part No.</b>		DPD-550
<b>Electrical Data</b>		
Frequency Range (MHz)		55-550
Insertion loss		< 0.5dB
Isolation between output ports		> 25dB
Impedance		50Ω
Max Input Power (W)		3W
<b>Mechanical Data</b>		
Dimensions (mm)	Length	55
	Width	53
	Height	24
Operating Temp (°C)		-40° / +80°C
Material		Engineering plastic
Colour		Black
Termination		FME plug (on all ports)

**Panorama Antennas Ltd**  
Frogmore, London, SW18 1HF, United Kingdom

T: +44 (0)20 8877 4444  
F: +44 (0)20 8877 4477

E: [sales@panorama-antennas.com](mailto:sales@panorama-antennas.com)  
[www.panorama-antennas.com](http://www.panorama-antennas.com)

**PANORAMA  ANTENNAS**