



12-24 VOLT  
CONNECTING SYSTEMS  
[www.pro-car.de](http://www.pro-car.de)



Since 1990 PRO CAR has been developing and producing high-quality plugs and connecting systems in the 12 - 24 volt range, providing customers with safe connection for on-board electrical systems in cars, trucks, motorhomes, caravans, motorbikes and boats.

In addition, there are products such as modern LED lighting technology and USB charging technology, which have been specially developed for mobile use.

In 2011 PRO CAR has taken over the production of Paroli heating fabrics as well as heating carpets and mats from 12 volt - 230 volt for the mobile leisure market.

The heating fabric has proven itself for decades in the original equipment and retrofitting of underfloor heating systems in motorhomes, caravans, at home and at the workplace.

In May 2018, the medium-sized company has been certified by TÜV Rheinland and has received the IATF 16949 certification. Not only long-standing customers and partners should benefit from this but also manufacturers in the automotive industry with particularly high demands.

PRO CAR is additionally certified:

- according to QS system DIN EN ISO 9001 since 1996
- according to environmental management standard ISO 14001 since 2009

Customers' needs and demands and own experiences and ideas keep the company up to date and dynamic, whereupon the quality always takes the highest priority.

PRO CAR and their business partners are exhibiting at all important national and international trade fairs.



**www.pro-car.de**



## **12 - 24 volt**

### **Our sales program for OEMs, industry and trade includes:**

#### **Plugs**

- NEW GENERATION series with integrated flat fuse, fitting into cigarette lighter / power sockets (Ø 21 mm) and standard sockets (Ø 12 mm)
- Universal plugs, angled universal plugs with and without fuse and universal angled plug, fitting for cigarette lighter / power sockets (Ø 21 mm) and standard sockets (Ø 12 mm)

#### **Sockets Ø 12 mm and Ø 21 mm**

- Built-in and surface mounted sockets with and without protective cap according to DIN EN ISO 4165 (Ø 12 mm) , TÜV-certified and monitored
- Built-In and surface mounted power socket (Ø 21mm) with and without cap

#### **USB charging technology**

- USB built-in and surface mounted sockets and USB charging cable

#### **Connectors and adapters Ø 12 mm and Ø 21 mm**

- Connectors, twin socket connectors, triple socket connectors and extension cables

#### **Cables and wires**

- Appliance cables, flat and helix cables

#### **Lighting**

- LED surface mounted lights, LED lights

#### **Heating fabrics and carpets**

- Heating fabric for 12 volt, 32 volt, 230 volt and heating carpets for 12 volt or 230 volt for use as underfloor heating in e.g. motorhomes, caravans, etc.

#### **Assemblies according to customer specifications**

# NEW GENERATION



standard flat plug fuses



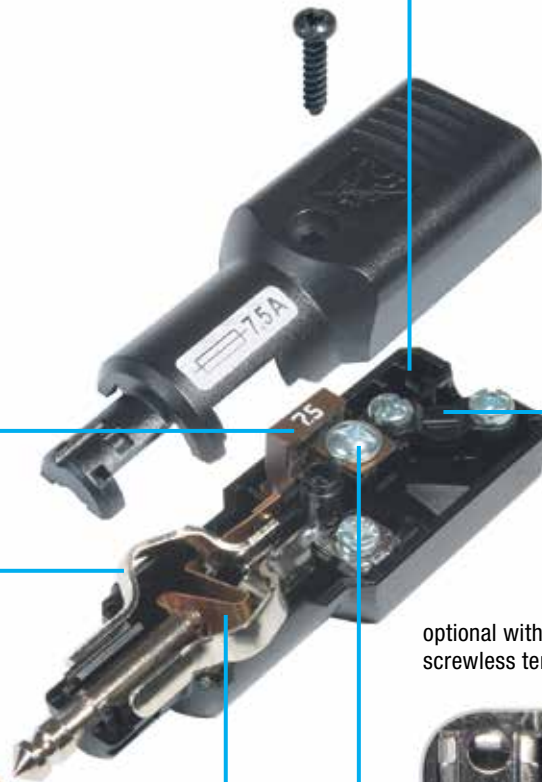
optionally with or without LED



with maze strain relief or with screwed strain relief



3-grip negative contact for secure hold in the socket



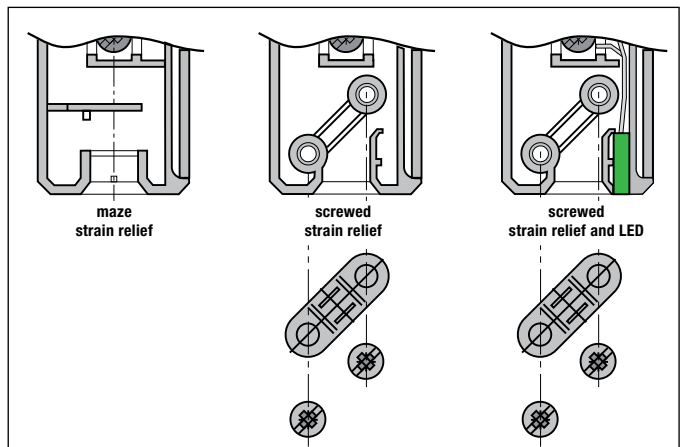
optional with screwless terminals



adaptor can be firmly positioned by a bayonet catch



special centre contact for high current carrying capacity and low contact resistances





**NEW GENERATION**

**Universal Plug NG with maize strain relief**

12-24 V, fitting for cigarette lighter / power sockets (inner-Ø 21 mm) and standard sockets (inner-Ø 12 mm).  
With integrated, interchangeable blade fuse.  
Special centre contact for high current carrying capacity and low resistances.  
3-grip negative contact for secure hold in the socket.  
Screw terminals for cables up to 2.5 mm<sup>2</sup>, adaptor that can be firmly positioned by a bayonet catch.

	BP	SP
	SU = 500	SU = 60
2 A	67764002	67774002
5 A	67764005	67774005
7.5 A	67764000	67774000
15 A	67764015	67774015



**NEW GENERATION**

**Universal Plug NG with screwed strain relief**

12-24 V, fitting for cigarette lighter / power sockets (inner-Ø 21 mm) and standard sockets (inner-Ø 12 mm).  
With integrated, interchangeable blade fuse.  
Special centre contact for high current carrying capacity and low resistances.  
3-grip negative contact for secure hold in the socket.  
Screw terminals for cables up to 2.5 mm<sup>2</sup>, adaptor that can be firmly positioned by a bayonet catch.

	BP	SP
	SU = 500	SU = 60
2 A	67762002	67772002
5 A	67762005	67772005
7.5 A	67762000	67772000
15 A	67762015	67772015



**NEW GENERATION**

**Universal Plug NG with screwed strain relief and LED**

12-24 V, fitting for cigarette lighter / power sockets (inner-Ø 21 mm) and standard sockets (inner-Ø 12 mm).  
With integrated, interchangeable blade fuse.  
Special centre contact for high current carrying capacity and low resistances.  
3-grip negative contact for secure hold in the socket.  
Screw terminals for cables up to 2.5 mm<sup>2</sup>, adaptor that can be firmly positioned by a bayonet catch.

	BP	SP
	SU = 500	SU = 60
2 A	67762102	67772102
5 A	67762105	67772105
7.5 A	67762100	67772100
15 A	67762115	67772115



**NEW GENERATION**

**Universal Plug NG with screwless terminals**

12-24 V, fitting for cigarette lighter / power sockets (inner-Ø 21 mm) and standard sockets (inner-Ø 12 mm).  
With integrated, interchangeable blade fuse.  
Special centre contact for high current carrying capacity and low resistances.  
3-grip negative contact for secure hold in the socket.  
With screwless terminals for cables up to 1.5 mm<sup>2</sup>, adaptor that can be firmly positioned by a bayonet catch.

	BP	SP
<b>with maze strain relief</b>	SU = 500	SU = 60
2 A	67768002	67778002
5 A	67768005	67778005
7.5 A	67768000	67778000
15 A	67768015	67778015
<b>with screwed strain relief</b>	SU = 500	SU = 60
2 A	67766002	67776002
5 A	67766005	67776005
7.5 A	67766000	67776000
15 A	67766015	67776015
<b>with screwed strain relief and LED</b>	SU = 500	SU = 60
2 A	67766102	67776102
5 A	67766105	67776105
7.5 A	67766100	67776100
15 A	67766115	67776115



### Universal Plug

12-24 V, fitting for cigarette lighter / power sockets (inner-Ø 21 mm) and standard sockets (inner-Ø 12 mm).  
With screw terminals for cables up to 2.5 mm<sup>2</sup>, adaptor that can be firmly positioned by a bayonet catch and with swing-out puller tool.

	BP	SP
<b>with maze strain relief</b>	SU = 500	SU = 60
<b>8 A</b>	67713000	67723000
<b>16 A TÜV-certified</b>	67713010	67723010
<b>with screwed strain relief</b>		
<b>8 A</b>	67711000	67721000
<b>16 A TÜV-certified</b>	67711010	67721010



### Safety Universal Plug

12-24 V, fitting for cigarette lighter / power sockets (inner-Ø 21 mm) and standard sockets (inner-Ø 12 mm).  
With integrated, interchangeable fuse.  
With screw terminals for cables up to 2.5 mm<sup>2</sup>, adaptor that can be firmly positioned by a bayonet catch and with swing-out puller tool.

	BP	SP
<b>with maze strain relief</b>	SU = 500	SU = 60
<b>1 A</b>	67714001	67724001
<b>2 A</b>	67714002	67724002
<b>5 A</b>	67714005	67724005
<b>8 A</b>	67714000	67724000
<b>16 A TÜV-certified</b>	67714010	67724010
<b>with screwed strain relief</b>		
<b>1 A</b>	67712001	67722001
<b>2 A</b>	67712002	67722002
<b>5 A</b>	67712005	67722005
<b>8 A</b>	67712000	67722000
<b>16 A TÜV-certified</b>	67712010	67722010

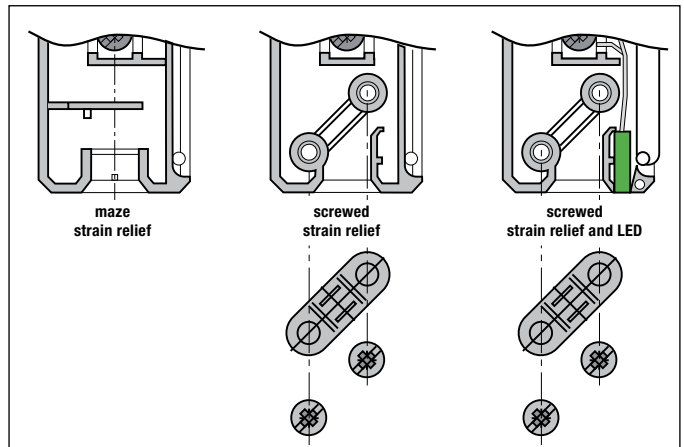
### Universal Plug with LED

12-24 V, fitting for cigarette lighter / power sockets (inner-Ø 21 mm) and standard sockets (inner-Ø 12 mm).  
With screwed strain relief, screw terminals for cables up to 2.5 mm<sup>2</sup>, adaptor that can be firmly positioned by a bayonet catch and with swing-out puller tool.  
As universal safety plug with integrated, interchangeable fuse.

	BP	SP
	SU = 500	SU = 60
<b>8 A</b>	67711100	67721100
<b>16 A TÜV-certified</b>	67711110	67721110

### Safety Universal Plug with LED

<b>1 A</b>	67712101	67722101
<b>2 A</b>	67712102	67722102
<b>5 A</b>	67712105	67722105
<b>8 A</b>	67712100	67722100
<b>16 A TÜV-certified</b>	67712110	67722110





### Bendable Universal Plug

12-24 V, bendable up to 180°, fitting for cigarette lighter / power sockets (inner-Ø 21 mm) and standard sockets (inner-Ø 12 mm).  
With screwed strain relief or without strain relief, screw terminals for cables up to 2.5 mm<sup>2</sup>, adaptor that can be firmly positioned by a bayonet catch.  
As universal safety plug with integrated, interchangeable fuse.

	BP	SP
	SU = 100	SU = 60
8 A with screwed strain relief	67741000	67741500
8 A without strain relief	67741100	-

### Bendable Safety Universal Plug

1 A with screwed strain relief	67742001	-
2 A with screwed strain relief	67742002	-
8 A with screwed strain relief	67742000	67742500
1 A without strain relief	67742101	-
2 A without strain relief	67742102	-
8 A without strain relief	67742100	-



### Bendable Universal Plug with switch

12-24 V, bendable up to 180°, with single-pole circuit breaker, rocker switch imprinted with 0-1. Fitting for cigarette lighter / power sockets (inner-Ø 21 mm) and standard sockets (inner-Ø 12 mm).  
With screwed strain relief or without strain relief, screw terminals for cables up to 2.5 mm<sup>2</sup>, adaptor that can be firmly positioned by a bayonet catch.  
As universal safety plug with integrated, interchangeable fuse.

	BP	SP
	SU = 100	SU = 60
8 A	67746000	67746500

### Bendable Safety Universal Plug with switch

8 A	67747000	67747500
-----	----------	----------

### Example of use

Offering sufficient space for your electronics.

- dimensions for pcb:
- with screwed strain relief = 28.5 x 26.5 x 1.5 mm
  - strain relief by buckling protective sleeve = 35.5 x 26.5 x 1.5 mm



### Bendable Universal Plug with switch and cable

12-24 V, bendable up to 180°, with single-pole circuit breaker, rocker switch imprinted with 0-1. Assembled with flat cable 2 x 0.75 mm<sup>2</sup>, length 2.0 m. Fitting for cigarette lighter / power sockets (inner-Ø 21 mm) and standard sockets (inner-Ø 12 mm).  
With adaptor that can be firmly positioned by a bayonet catch.  
As universal safety plug with integrated, interchangeable fuse.

	BP	SP
	SU = 100	SU = 60
8 A	67745000	67745500

### Bendable Safety Universal Plug with switch and cable

8 A	67748000	67748500
-----	----------	----------



### Universal Angular Plug with LED

12-24 V, fitting for cigarette lighter / power sockets (inner-Ø 21 mm) and standard sockets (inner-Ø 12 mm).  
With screwed strain relief, screw terminals for cables up to 1.5 mm<sup>2</sup>, cable Ø up to 8 mm. With integrated, interchangeable tab fuse 7.5 A, adaptor that can be firmly positioned by a bayonet catch.

	BP	SP
	SU = 100	SU = 20
7.5 A	57730000	57730001



### Buckling Protective Sleeve

Fitting for universal plugs and safety universal plugs.  
Standard inner-Ø 4 mm.

	BP
	80106000



### Power Plug 20 A

12-24 V, fitting for cigarette lighter / power sockets (inner-Ø 21 mm),  
assembled with 1.2 m cable 2 x 2.5 mm<sup>2</sup>. Maximum load up to 20 A.  
For connecting powerful additional devices in motor vehicles, caravans, etc.

Special versions on request.

	BP	EV
	SU = 100	SU = 60
20 A	67101284	67101285



### Standard Plug 8 A

12-24 V, fitting for standard sockets (inner-Ø 12 mm) according to  
DIN EN ISO 4165. With maze strain relief and soldering contacts.  
For connecting additional devices, max. load up to 8 A.

	BP	SP
	SU = 500	SU = 60
8 A	67751000	67751500



### Standard Plug 15 A

12-24 V, fitting for standard sockets (inner-Ø 12 mm) according to  
DIN EN ISO 4165. Optimal contacting. With screw terminals.  
For connecting additional devices, max. load up to 15 A.

	BP	SP
	SU = 500	SU = 60
15 A	53005000	53005001



### Angular Standard Plug 16 A

12-24 V DC, for connecting additional devices. Fitting for standard  
sockets (Ø 12 mm) according to DIN EN ISO 4165. Optimal contacting,  
secure hold in the socket.; loadable up to 16 A.  
With screwed strain relief, screw terminals for cables  
up to 2.5 mm<sup>2</sup>, cable passage Ø 7.5 mm.

	BP	SP
	SU = 500	SU = 60
max. 16 A	67753000	67753500



### DIN-Socket-Adaptor 16 A

12-24 volt, adapter from small (Ø 12 mm) to large (Ø 21 mm).  
Plug suitable for standard sockets (Ø 12 mm) according to DIN EN ISO 4165,  
female connector inner-Ø 21 mm. Max. load up to 16 A.

	BP	SP
	SU = 200	SU = 60
16 A	67872900	67882900



### DIN Built-In Standard Socket

12-24 V, inner-Ø 12 mm, fitting for standard and universal plugs.  
With 6.3 mm T-flat plug terminals. Port for installation Ø 18 mm.  
Fastening by hexagon nut, panel thickness 2-9 mm. Max. load up to 16 A.  
TÜV-certified and monitored. With terminals according to DIN EN ISO 4165.

	BP	SP
	SU = 500	SU = 60
<b>16 A</b>	67607000	67617000



### DIN Built-In Standard Socket with mounting plate

12-24 V, inner-Ø 12 mm, fitting for standard and universal plugs.  
With 6.3 mm T-flat plug connection. Port for installation Ø min. 26 mm.  
Fastening by hexagon nut and enclosed screws, panel thickness 2-9 mm.  
Max. load up to 16 A. TÜV-certified and monitored. With terminals according to DIN EN ISO 4165. Dimensions mounting plate L x W x H: 60 x 45 x 2 mm.

	BP	SP
	SU = 500	SU = 60
<b>16 A</b>	67607030	67617030
<b>16 A, with protective cap</b>	67607130	67617130



### DIN Built-In Standard Socket, waterproof

12-24 V, with screw cap. Waterproof to IP 67, cables are waterproof encapsulated. Temperature resistant -40° to 105° C, inner-Ø 12 mm, fitting for standard and universal plugs, contacts according to DIN EN ISO 4165.  
Assembled with 30 cm cable. Port for installation Ø 18 mm.  
Fastening by hexagon nut, panel thickness 1-10 mm. Max. load up to 16 A.

	BP	SP
	SU = 50	SU = 20
<b>16 A</b>	52005000	52005001



### DIN Built-In Standard Socket with cap

12-24 V, dust and splash-proof version, inner-Ø 12 mm, fitting for standard and universal plugs.  
With 6.3 mm T-flat plug terminals. Port for installation Ø 18 mm.  
Fastening by hexagon nut, panel thickness 2-9 mm. Max. load up to 16 A.  
TÜV-certified and monitored. With terminals according to DIN EN ISO 4165.

	BP	SP
	SU = 500	SU = 60
<b>16 A</b>	67607100	67617100



### DIN Built-In Standard Socket metal with protective cap

12-24 V, inner-Ø 12 mm, fitting for standard and universal plugs.  
With 6.3 mm T-flat plug terminals. Port for installation Ø 18 mm.  
Fastening by hexagon nut, panel thickness 1-10 mm.  
Max. load up to 16 A.

	BP	SP
	SU = 100	SU = 60
<b>16 A</b>	53114330	53114321



### Triple Built-In Socket

12-24 V, three standard sockets, inner-Ø 12 mm, fitting for standard and universal plugs. Fastening by enclosed screws.  
Cable connection via flat plug 6.3 mm. Max. load up to 16 A.  
TÜV-certified and monitored. With contacts according to DIN EN ISO 4165.  
Dimensions L x W x H: 93.5 x 33.5 x 2.5 mm.

	BP	SP
	SU = 100	SU = 60
<b>16 A</b>	57612002	57612003



### Surface Mounted Socket

12-24 V, inner-Ø 12 mm, fitting for standard and universal plugs. With 6.3 mm flat plug connection. Fastening with enclosed screws. Max. load up to 16 A. TÜV-certified and monitored. With contacts according to DIN EN ISO 4165. Dimensions L x W x H: 63 x 31 x 30 mm.

	BP	SP
	SU = 100	SU = 60
<b>16 A</b>	67608000	67618000

### Surface Mounted Socket with protective cap

12-24 V, dust and splash-proof version, inner-Ø 12 mm, fitting for standard and universal plugs. With 6.3 mm flat plug connection. Fastening with enclosed screws. Max. load up to 16 A. TÜV-certified and monitored. With contacts according to DIN EN ISO 4165. Dimensions L x W x H: 67 x 31 x 35 mm

	BP	SP
	SU = 100	SU = 60
<b>16 A</b>	67608100	67618100



### Surface Mounted Power Socket

12-24 V, inner-Ø 21 mm, fitting for universal plugs. With 6.3 mm flat plug connection. Fastening with enclosed screws. Max. load 20 A based on a supply cable cross-section of 2.5 mm<sup>2</sup>, max. load 16 A based on a supply cable cross-section of 1.5 mm<sup>2</sup>. Dimensions L x W x H: 85 x 35 x 33 mm.

	BP	SP
	SU = 100	SU = 60
<b>20 A</b>	67604000	67614000



### Power Socket Connector

12-24 V, inner-Ø 21 mm, fitting for universal plugs. With 6.3 mm flat plug connection. With base plate for the installation of a flying connection. Max. load 20 A based on a supply cable cross-section of 2.5 mm<sup>2</sup>, max. load 16 A based on a supply cable cross-section of 1.5 mm<sup>2</sup>. Dimensions L x W x H: 85 x 35 x 38 mm.

	BP	SP
	SU = 100	SU = 60
<b>20 A</b>	67604500	67614500



### Triple Surface Mounted Power Socket

12-24 V, with three power sockets, inner-Ø 21 mm, fitting for universal plugs. Cable connection pre-assembled. Fastening with enclosed screws. Max. load 20 A based on a supply cable cross-section of 2.5 mm<sup>2</sup>, max. load 16 A based on a supply cable cross-section of 1.5 mm<sup>2</sup>. Dimensions L x W x H: 85 x 95 x 33 mm.

	BP	SP
	SU = 100	SU = 20
<b>20 A</b>	67601000	67611000



### Triple Power Socket

12-24 V, with three power sockets, inner-Ø 21 mm, fitting for universal plugs. Assembled with universal plug 16 A, fitting for cigarette lighter / power sockets (inner-Ø 21 mm) and standard sockets (inner-Ø 12 mm) and with flat cable 2 x 1.5 mm<sup>2</sup>, length 2.0 m. Max. load up to 16 A. Dimensions L x W x H: 85 x 95 x 38 mm

	BP	SP
	SU = 50	SU = 20
<b>16 A</b>	67601500	67611500



### Power Socket

12-24 V, inner-Ø 21 mm, fitting for universal plugs.  
With 6.3 mm flat plug connection. Mounting hole Ø 28 mm.  
Fastening with hexagon nut, panel thickness 2-8 mm.  
Max. load 20 A based on a supply cable cross-section of 2.5 mm<sup>2</sup>,  
max. load 16 A based on a supply cable cross-section of 1.5 mm<sup>2</sup>.

	BP	SP
	SU = 160	SU = 60
<b>20 A</b> , screw thread black	68040800	68140800
<b>20 A</b> , screw thread red	68040810	68140810
<b>20 A</b> , screw thread green	68040820	68140820

### Power Socket with clamp sleeve

12-24 V, inner-Ø 21 mm, fitting for universal plugs.  
With 6.3 mm flat plug connection. Mounting hole Ø 28 mm, with mounting plate Ø 32 mm.  
Fastening by snapping in the clamp sleeve (and enclosed screws), panel thickness 2 mm ± 0.1.  
Max. load 20 A based on a supply cable cross-section of 2.5 mm<sup>2</sup>,  
max. load 16 A based on a supply cable cross-section of 1.5 mm<sup>2</sup>.  
Dimensions of mounting plate L x W x H: 60 x 45 x 2.2 mm.

	BP	SP
	SU = 160	SU = 60
<b>20 A</b>	68040860	68140860
<b>20 A</b> , with mounting plate	68041000	68141000



### Motorcycle Socket with snap-on lid

12 V, inner-Ø 21 mm, fitting for universal plug.  
Weatherproof, 9K splash-proof, assembled with approx. 40 cm cable and cable lugs. Mounting hole Ø 32 mm.  
Fastening with knurled nut, panel thickness 2-12 mm.  
Max. load up to 10 A.

	BP	SP
	SU = 50	SU = 20
<b>12 V / 10 A</b>	57607050	57607550



E1

**Power Double USB-C/A Socket**

12-24 V DC, output 5 V DC, 3.6 A with integrated power voltage converter and blue LED. For charging and operating electronic devices, that can be charged via 5 V USB.  
 Mounting hole Ø 28 mm, with mounting plate Ø 36 mm.  
 Fastening with hexagon nut (and enclosed screws). Panel thickness 2-16 mm.  
 Input 8-34 V DC, E1 approval, current consumption ≤ 1 mA.  
 Overload protection, overtemperature protection, reverse polarity protection, short-circuit protection, overvoltage protection at short voltage peaks.  
 Cable connection pre-assembled, approx. 15 cm, 0.5 mm<sup>2</sup>.  
 Dimensions mounting plate L x W x H: 60 x 45 x 2.2 mm.

	BP	SP
max.	SU = 100	SU = 60
3.6 A	67341000	67341500
3.6 A, with mounting plate	67342000	67342500



E1

**Power Double USB Socket**

12-24 V DC, output 5 V DC, 5 A with integrated voltage converter. For charging and operating electronic devices, that can be charged via 5 V USB.  
 Mounting hole Ø 28 mm, with mounting plate Ø 36 mm.  
 Fastening with hexagon nut (and enclosed screws). Panel thickness 2-16 mm.  
 Input 8-34 V DC, E1 approval, current consumption ≤ 3 mA.  
 Overload protection, overtemperature protection, reverse polarity protection.  
 Cable connection pre-assembled, approx. 15 cm, 0.5 mm<sup>2</sup>.  
 Dimensions of mounting plate L x W x H: 60 x 45 x 2.2 mm.

	BP	SP
max.	SU = 100	SU = 60
5 A	67321000	67321500
5 A, with cap	67321100	67321600
5 A, with mounting plate	67322000	67322500
5 A, with mounting plate and cap	67322100	67322600



E1

**Power USB Built-In Socket**

12-24 V DC, output 5 V DC, 3 A with integrated voltage converter. For charging and operating electronic devices, that can be charged via 5 V USB.  
 Mounting hole Ø 28 mm, with mounting plate Ø 36 mm.  
 Fastening with hexagon nut (and enclosed screws). Panel thickness 2-16 mm.  
 Input 8-34 V DC, E1 approval, current consumption ≤ 3 mA.  
 Overload protection, overtemperature protection, reverse polarity protection.  
 Cable connection pre-assembled, approx. 15 cm, 0.5 mm<sup>2</sup>.  
 Dimensions of mounting plate L x W x H: 60 x 45 x 2.2 mm.

	BP	SP
max.	SU = 100	SU = 60
3 A	67331000	67331500
3 A, with cap	67331100	67331600
3 A, with mounting plate	67332000	67332500
3 A, with mounting plate and cap	67332100	67332600





**Power USB-C Built-In Socket PD/QC 60 Watt**

12-24 V DC. Perfect for fast and mobile charging of the latest generation of tablets, notebooks, and smartphones. Features an integrated voltage converter and step-up transformer: With an input voltage of 12 volts, compatible devices can be charged with an output voltage of 5-20 volts and up to 60 watts of power. Supports fast charging protocols such as Power Delivery, Quick Charge, PPS, and others.  
 Input: 8-30 V DC  
 Output (1x Port C): 5-20 V DC, max. 3 A / 60  
 E1 -approved; Current consumption: < 5 mA  
 Protection against: overload, overheating, overvoltage, reverse polarity, and short circuits. Installation details:  
 Drill hole diameter: Ø 28 mm; panel thickness: 2-16 mm; secured with a hexagon nut; preassembled cable: approx. 15 cm, 2 x 0.5 mm<sup>2</sup>.

	BP	SP
	SU = 100	SU = 60
1x USB-C	67351050	67351550



**Power USB-C Built-In Socket PD/QC 60 Watt with mounting plate**

12-24 V DC. Perfect for fast and mobile charging of the latest generation of tablets, notebooks, and smartphones. Features an integrated voltage converter and step-up transformer: With an input voltage of 12 volts, compatible devices can be charged with an output voltage of 5-20 volts and up to 60 watts of power. Supports fast charging protocols such as Power Delivery, Quick Charge, PPS, and others.  
 Input: 8-30 V DC  
 Output (1x Port C): 5-20 V DC, max. 3 A / 60 W  
 E1-approved; Current consumption: < 5 mA  
 Protection against: overload, overheating, overvoltage, reverse polarity, and short circuits.  
 Installation details: Drill hole diameter: Ø 36 mm; panel thickness: any; secured with a hexagon nut and screws; preassembled cable: approx. 15 cm, 2 x 0.5 mm<sup>2</sup>.

	BP	SP
	SU = 100	SU = 60
1x USB-C	67352050	67352550



**Bendable USB-C Charging Plug PD/QC 60 Watt**

12-24 V DC. Perfect for fast and mobile charging of the latest generation of tablets, notebooks, and smartphones. Features an integrated voltage converter and step-up transformer: With an input voltage of 12 volts, compatible devices can be charged with an output voltage of 5-20 volts and up to 60 watts of power. Supports fast charging methods such as Power Delivery, Quick Charge, PPS, and others.  
 Input: 8-30 V DC / Output (1x Port C): 5-20 V DC, max. 3 A / 60 W; E1-approved; current consumption: < 5 mA. Protection against: overload, overheating, overvoltage and short circuits. Connecting via universal plug, fitting for cigarette lighter / power sockets (Ø 21 mm) and standard sockets (Ø 12 mm). With blue LED that shows voltage supply.

	BP	SP
	SU = 100	SU = 60
1x USB-C	67302300	67302700



**Power Double USB Surface-Mounted Socket PD/QC**

12-24 V DC with integrated voltage converter. Supports fast charging methods such as Power Delivery and Quick Charge an PPS. Output 5 V, 9 V, 12 V and at 24 V input also 15 V and 20 Volt. Output USB-C: up to max. 3 A (30 W), Output USB-A: up to max. 2.2 A (24 W), current consumption < 5 mA  
 Protection against: reverse polarity, overload, over temperature, overvoltage, short-circuit; E1-approval. fastening by screws, cable connection pre-assembled approx. 15 cm, 2 x 0.5 mm<sup>2</sup>. Dimensions: L x W x H: 43 x 45 x 27 mm.

	BP	SP
	SU = 100	SU = 60
USB-C/A	67359000	67359500
2x USB-C	67379000	67379500



### Power USB-C Built-In Socket PD/QC

12-24 V DC with integrated voltage converter. Supports fast charging methods as Power Delivery and Quick Charge. With or without blue LED that shows voltage. Output 1x Port C: 5 V, 9 V, 12 V and with 24 V input voltage also 15 V and 20 V. Max. 3 A (30 W). Protection against reverse polarity, overvoltage, short-circuit, overtemperature, overload. E1-approval, current consumption < 5 mA. Mounting hole Ø 28 mm (Ø 36 mm with mounting plate), panel 2-16 mm; fastening by hexagon nut; cable connection pre-assembled approx. 15 cm, 2 x 0,5 mm<sup>2</sup>.

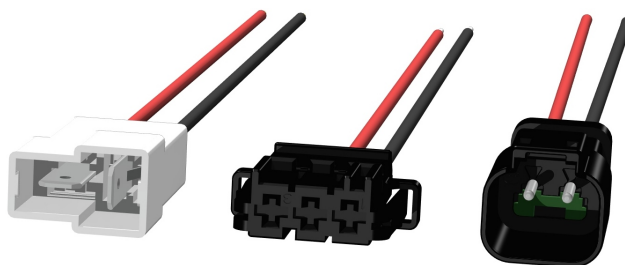
	BP SU = 100	SP SU = 60
with LED	67361000	67361500
without LED	67361050	67361550
with mounting plate, with LED	67362000	67362500
with mounting plate, without LED	67362050	67362550

### Power Double USB-C Socket PD/QC

12-24 V DC with integrated voltage converter. Supports fast charging methods as Power Delivery and Quick Charge. With or without blue LED that shows voltage. Output 2x Port C: 5 V, 9 V, 12 V and with 24 V input voltage also 15 V and 20 V. Max. 2x 3 A (2x 30 W).

Protection against reverse polarity, overvoltage, short-circuit, overtemperature, overload. E1-approval, current consumption < 5 mA. Mounting hole Ø 28 mm (Ø 36 mm with mounting plate), panel 2-16 mm; fastening by hexagon nut; cable connection pre-assembled approx. 15cm, 2 x 0,5 mm<sup>2</sup>.

	BP SU = 100	SP SU = 60
with LED	67371000	67371500
without LED	67371050	67371550
with mounting plate, with LED	67372000	67372500
with mounting plate, without LED	67372050	67372550



### Power Double USB-C/A Socket PD/QC

12-24 V DC with integrated voltage converter. Supports fast charging methods as Power Delivery (Port C) and Quick Charge (Port A+C). Output 5 V, 9 V, 12 V and with 24 V input voltage also 15 V and 20 V USB-C port up to 3 A (30 watts), USB-A port up to 2.2 A (24 watts). Protection against reverse polarity, overvoltage, short-circuit, overtemperature, overload; E1-approval, current consumption < 5 mA. Mounting hole Ø 28 mm (Ø 36 mm with mounting plate), panel 2-16 mm; fastening by hexagon nut; cable connection pre-assembled approx. 15 cm, 2 x 0.5 mm<sup>2</sup>

	BP SU = 100	SP SU = 60
with LED	67353000	67353500
without LED	67353050	67353550
without LED, with mounting plate	67353060	67353560

### Plugs for assembly with PRO CAR USB sockets

PRO CAR USB sockets can be factory fitted with a plug. The following options are available:

1. TE plug 180908 2-pin, 6.3 mm T flat plug connection
2. TE plug housing 1-0968976-9 / contacts 1-0968849-1
3. TE / Deutsch plug DT04-2P-CE03 / contacts 0460-202-16141

Cable: approx. 15 cm, 2x 0.5 mm<sup>2</sup>  
The corresponding connector must be provided by the customer.  
Please contact us!



### Power Double USB-C/A Surface Mounted Socket

12-24 V DC, output 5 V DC, 3.6 A with integrated voltage converter and blue LED. For charging and operating electronic devices, that can be charged via 5 volt USB.

Fastening with enclosed screws.

Cable connection pre-assembled, approx. 15 cm, 0.5 mm<sup>2</sup>.

Input 8-34 V DC, E1 approval, current consumption ≤ 1 mA.

Overload protection, overtemperature protection, reverse polarity protection, short-circuit protection, overvoltage protection at short voltage peaks.

Dimensions L x W x H: 85 x 35 x 33 mm.

	BP	SP
<b>max.</b>	SU = 100	SU = 60
<b>3.6 A</b>	67343000	67343500



### Power USB Surface Mounted Socket

1 Power USB Socket 12-24 V DC, output 5 V DC with integrated voltage converter. For charging and operating electronic devices, that can be charged via 5 V USB.

Pre-assembled cable connection, approx. 15 cm, 0.5 mm<sup>2</sup>.

Input 8-34 V DC, E1 approval, current consumption ≤ 3 mA.

Overload protection, overtemperature protection, reverse polarity protection.

Fastening with enclosed screws.

Dimensions L x W x H: 85 x 35 x 33 mm.

	BP	SP
<b>max.</b>	SU = 100	SU = 60
<b>5 A, with double USB socket</b>	67323000	67323500
<b>3 A, with single USB socket</b>	67333000	67333500



### Surface Mounted Triple Socket with 1 power double USB-C/A socket and 2 power sockets

1 Power Double USB-C/A socket, 12-24 V DC, output 5 V DC, 3.6 A with integrated voltage converter and blue LED. For charging and operating electronic devices, that can be charged via 5 V USB.

Input 8-34 V DC, E1 approval, current consumption ≤ 1 mA.

Overload protection, overtemperature protection, reverse polarity protection, short-circuit protection, overvoltage protection at short voltage peaks.

2 power sockets 12-24 volt, inner-Ø 21 mm, fitting for universal plugs.

Max. load 20 A based on a supply cable cross-section of 2.5 mm<sup>2</sup>, max. load 16 A based on a supply cable cross-section of 1.5 mm<sup>2</sup>.

Fastening with enclosed screws. Pre-assembled cable connection.

Dimensions L x W x H: 85 x 95 x 33 mm

	BP	SP
<b>USB max. output</b>	SU = 100	SU = 20
<b>3.6 A</b>	67344000	67344500



### Surface Mounted Triple Socket with 1 power USB socket and 2 power sockets

1 Power USB Socket 12-24 V DC, output 5 V DC with integrated voltage converter. For charging and operating electronic devices, that can be charged via 5 V USB.

Input 8-34 V DC, E1 approval, own consumption ≤ 3 mA.

Overload protection, overtemperature protection, reverse polarity protection.

2 power sockets 12-24 volt, inner-Ø 21 mm, fitting for universal plugs.

Max. load 20 A based on a supply cable cross-section of 2.5 mm<sup>2</sup>, max. load 16 A based on a supply cable cross-section of 1.5 mm<sup>2</sup>.

Fastening with enclosed screws. Pre-assembled cable connection.

Dimensions L x W x H: 85 x 95 x 33 mm.

	BP	SP
<b>USB max. output</b>	SU = 100	SU = 20
<b>5 A, with double USB socket</b>	67324000	67324500
<b>3 A, with single USB socket</b>	67334000	67334500



### Triple Socket with 1 power double USB-C/A socket, 2 power sockets and universal plug

1 Power Double USB-C/A socket, 12-24 V DC, output 5 V DC, 3.6 A with integrated voltage converter and blue LED.

For charging and operating electronic devices, that can be charged via 5 V USB. Input 8-34 V DC, E1 approval, current consumption  $\leq 1$  mA.

Overload protection, overtemperature protection, reverse polarity protection, short-circuit protection, overvoltage protection at short voltage peaks.

2 power sockets 12-24 volt, inner- $\varnothing$  21 mm, fitting for universal plugs.

Max. load 16 A.

Assembled with universal plug 16 A, fitting for cigarette lighter / power sockets (inner- $\varnothing$  21 mm) and standard sockets (inner- $\varnothing$  12 mm) and with flat cable 2 x 1.5 mm<sup>2</sup>, length 2.0 m.

Dimensions L x W x H: 85 x 95 x 38 mm

	BP	SP
<b>USB max. output</b>	SU = 50	SU = 20
<b>3.6 A</b>	67345000	67345500



### Triple Socket with 1 power USB socket, 2 power sockets and universal plug

1 Power USB socket 12-24 V DC, output 5 V DC with integrated voltage converter. For charging and operating electronic devices, that can be charged via 5 V USB. Input 8-34 V DC, E1 approval, own consumption  $\leq 3$  mA. Overload protection, overtemperature protection, reverse polarity protection.

2 power sockets 12-24 volt, inner- $\varnothing$  21 mm, fitting for universal plugs.

Max. load 16 A.

Assembled with universal plug 16 A, fitting for cigarette lighter / power sockets (inner- $\varnothing$  21 mm) and standard sockets (inner- $\varnothing$  12 mm) and with flat cable 2 x 1.5 mm<sup>2</sup>, length 2.0 m.

Dimensions L x W x H: 85 x 95 x 38 mm

	BP	SP
<b>USB max. output</b>	SU = 50	SU = 20
<b>5 A, with double USB socket</b>	67325000	67325500
<b>3 A, with single USB socket</b>	67335000	67335500



E1

### Flat Power USB Socket

12-24 V DC, output 5 V DC, 3 A with integrated voltage converter. For charging and operating electronic devices, that can be charged via 5 V USB.

Fastening with enclosed screws, pre-assembled cable connection, length approx. 1.0 m, 2 x 0.5 mm<sup>2</sup>.

Input 8-34 V DC, E1 approval, current consumption  $\leq 3$  mA, overload protection, overtemperature protection, reverse polarity protection.

Dimensions L x W x H: 34 x 42 x 15.25 mm

	BP	SP
<b>max.</b>	SU = 100	SU = 60
<b>3 A</b>	67339000	67339500



E1

### Bendable Double USB Charging Plug with LED

With integrated voltage converter. Output 5 V DC. For charging and operating electronic devices, that can be charged via 5 V USB.

Connecting via universal plug, fitting for cigarette lighter / power sockets (inner- $\varnothing$  21 mm) and standard sockets (inner- $\varnothing$  12 mm), E1 approval.

Overload protection, reverse polarity protection, overtemperature protection.

12 V USB-C/A: max. 3.6 A output current, current consumption  $\leq 1$  mA, with blue LED (\*1), short-circuit protection, overvoltage protection at short voltage peaks.

12-24 V Double USB-A: max. 5 A output current, current consumption  $\leq 3$  mA, with green LED (\*2)

	BP	SP
<b>max.</b>	SU = 100	SU = 60
<b>3.6 A, with double USB-C/A socket (*1)</b>	67302600	67302800
<b>5 A, with double USB-A socket (*2)</b>	67302100	67302500



### USB-C Car Charging Cable

12-24 V DC, output 5 V DC, 3 A, for charging and operating electronic devices, that can be charged via 5 volt with USB-C connection. With integrated voltage converter. Input 8-34 V DC, current consumption  $\leq 3$  mA. Overload protection, reverse polarity protection, overtemperature protection. Assembled with 180° bendable universal plug, fitting for cigarette lighter / power sockets (inner-Ø 21 mm) and standard sockets (inner-Ø 12 mm) and with cable, length approx. 1.8 m.

	BP	SP
max.	SU = 100	SU = 60
3 A	67303010	67303110



### Micro / Mini USB Car Charging Cable

12-24 V DC, output 5 V DC, 3 A, for charging and operating electronic devices, that can be charged with 5 volt via micro or mini USB connection. With integrated voltage converter. Input 8-34 V DC, current consumption  $\leq 3$  mA. Overload protection, reverse polarity protection, overtemperature protection. Assembled with 180° bendable universal plug, fitting for cigarette lighter / power sockets (inner-Ø 21 mm) and standard sockets (inner-Ø 12 mm) and with cable, length approx. 1.8 m.

	BP	SP
max.	SU = 100	SU = 60
3 A, micro USB plug	67303020	67303120
3 A, mini USB plug	67303030	67303130



### Charging Cable with USB-C plug IP 67

12-24 V DC, output 5 V, 3 A, waterproof to IP 67, for charging and operating electronic devices, that can be charged with 5 volt via USB-C connection. With integrated voltage converter. Input 8-34 V DC, current consumption  $\leq 3$  mA. Overload protection, reverse polarity protection, overtemperature protection. Cable length 1.8 m, tinned wire ends.

	BP	SP
max.	SU = 100	SU = 60
3 A	68302560	68302660



### Charging Cable with micro / mini USB plug IP 67

12-24 V DC, output 5 V DC, 3 A, waterproof to IP 67, for charging and operating electronic devices, that can be charged with 5 volt via micro or mini USB connection. With integrated voltage converter. Input 8-34 V DC, current consumption  $\leq 3$  mA. Overload protection, reverse polarity protection, overtemperature protection. Cable length 1.8 m, tinned wire ends.

	BP	SP
max.	SU = 100	SU = 60
3 A, micro USB plug	68302570	68302670
3 A, mini USB plug	68302580	68302680



### Charging Cable USB-C

USB 2.0 cable with plugs for USB-C to USB-C. For charging and operating electronic devices that have a USB-C socket. High-quality, flexible cable braided with cotton. Output 5 V / 3 A. Cable length 1m

	BP	SP
	SU = 100	SU = 60
USB-C / USB-C	52009000	52009002



**Built-In Socket including 3 Power sockets**

12-24 V, inner-Ø of sockets 21 mm, fitting for universal plugs.  
 Max. load 20 A based on a supply cable cross-section of 2.5 mm<sup>2</sup>,  
 max. load 16 A based on a supply cable cross-section of 1.5 mm<sup>2</sup>.  
 Fastening with enclosed screws. Pre-assembled cable connection.

Dimensions L x W x H: 144 x 56 x 7 mm. Installation depth: 55 mm.

	BP	SP
	SU = 100	SU = 20
<b>12-24 V</b>	67602000	67612000



**Built-In Socket including 1 power USB socket and 2 power sockets**

USB socket 12-24 V DC, output 5 V DC with integrated voltage converter.  
 Input 8-34 V DC, E1 approval, overload protection, reverse polarity protection,  
 overtemperature protection.  
 Current consumption ≤ 1.0 mA (USB-C/A), ≤ 3 mA (double USB).  
 USB-C/A including short-circuit protection, overvoltage protection at short  
 voltage peaks.

2 power sockets 12-24 V, inner-Ø of sockets 21 mm, fitting for universal plugs.

Max. load 20 A based on a supply cable cross-section of 2.5 mm<sup>2</sup>,  
 max. load 16 A based on a supply cable cross-section of 1.5 mm<sup>2</sup>.  
 Fastening with enclosed screws.  
 Pre-assembled cable connection.

Dimensions L x W x H: 144 x 56 x 7 mm. Installation depth: 55 mm.

	BP	SP
	SU = 100	SU = 20
<b>USB max. output</b>		
<b>3.6 A</b> , with 1 double USB-C/A socket with blue LED	67346000	67346500
<b>5 A</b> , with 1 double USB-A socket	67326000	67326500



**Built-In Socket including 1 power USB socket, switchable and 1 power socket**

USB socket 12-24 V DC / 5 V DC with integrated voltage transformer.  
 Switchable via on/off switch, input 8-34 V DC, E1 approval, overload protection,  
 reverse polarity protection, overtemperature protection.  
 Current consumption ≤ 1.0 mA (USB-C/A), ≤ 3 mA (USB).  
 USB-C/A including short-circuit protection, overvoltage protection at short  
 voltage peaks.

1 power socket 12-24 V, inner-Ø of socket 21 mm, fitting for universal plugs.

Max. load 20 A based on a supply cable cross-section of 2.5 mm<sup>2</sup>,  
 max. load 16 A based on a supply cable cross-section of 1.5 mm<sup>2</sup>.  
 Fastening with enclosed screws.  
 Pre-assembled cable connection.

Dimensions L x W x H: 144 x 56 x 7 mm. Installation depth: 55 mm.

	BP	SP
	SU = 100	SU = 20
<b>USB max. output</b>		
<b>3.6 A</b> , with 1 double USB-C/A socket with blue LED	67346010	67346510
<b>5 A</b> , with 1 double USB-A socket	67326010	67326510
<b>3 A</b> , with 1 single USB-A socket	67336010	67336510



**Triple Frame**

With three installation slots each Ø 28 mm, for PRO CAR power sockets and  
 PRO CAR USB sockets.  
 Fastening with enclosed screws.

Dimensions L x W x H: 144 x 56 x 7 mm.

	BP	SP
	SU = 100	SU = 20
	67602050	67602550



#### Extension Cable as helix cable with connector Ø 21 mm

12-24 V, with 8 A safety universal plug (interchangeable fuse integrated), fitting for cigarette lighter / power sockets (inner-Ø 21 mm) and standard sockets (inner-Ø 12 mm).

With 2 x 0.75 mm<sup>2</sup> helix cable, length: 0.6 m to 3.0 m and with connector, inner-Ø 21 mm, fitting for universal plugs. Max. load up to 8 A.

	BP	SP
	SU = 100	SU = 20
<b>8 A</b>	67818100	67828100



#### Extension Cable with connector Ø 21 mm

12-24 V, with 8 A universal safety plug (interchangeable fuse integrated), fitting for cigarette lighter / power sockets (inner Ø 21 mm) and standard sockets (inner-Ø 12 mm).

With 2 x 0.75 mm<sup>2</sup> flat cable and with connector, inner-Ø 21 mm, fitting for universal plugs. Max. load up to 8 A.

	BP	SP
	SU = 100	SU = 20
<b>8 A</b> , cable length 4,0 m	67814100	67824100
<b>8 A</b> , cable length 1,8 m	67814110	67824110



#### Extension Cable with connector Ø 12 mm

12-24 V, with 8 A universal safety plug (interchangeable fuse integrated), fitting for cigarette lighter / power sockets (inner-Ø 21 mm) and standard sockets (inner-Ø 12 mm). With 2 x 0.75 mm<sup>2</sup> flat cable, length 4 m and with connector, inner-Ø 12 mm with contacts according to DIN EN ISO 4165, fitting for standard and universal plugs. Max. load up to 8 A.

	BP	SP
	SU = 100	SU = 20
<b>8 A</b>	67814010	67824010



#### Connector

12-24 V, for connecting to a car battery.

Crocodile clips with 2 x 0.75 mm<sup>2</sup> flat cable, length 1 m and connector, inner-Ø 21 mm, fitting for universal plugs. Max. load up to 8 A.

	BP	SP
	SU = 150	SU = 60
<b>8 A</b>	67874000	67884000



#### Helix Cable wire ends open

12-24 V, with 8 A universal safety plug (interchangeable fuse integrated) or universal plug, fitting for cigarette lighter / power sockets (inner-Ø 21 mm) and standard sockets (inner-Ø 12 mm).

With 2 x 0.75 mm<sup>2</sup> helix cable, length 0.6 m to 3.0 m. Max. load up to 8 A. Special versions on request.

	BP	SP
	SU = 100	SU = 20
with safety universal plug 8 A	67838000	67848000
with universal plug 8 A	67837000	67847000



#### Flat Cable wire ends open

12-24 V, with 8 A universal safety plug (interchangeable fuse integrated) or universal plug, fitting for cigarette lighter / power sockets (inner-Ø 21 mm) and standard sockets (inner-Ø 12 mm).

With 2 x 0.75 mm<sup>2</sup> flat cable, length 4.0 m. Max. load up to 8 A. Special versions on request.

	BP	SP
	SU = 100	SU = 60
with safety universal plug 8 A	67834000	67844000
with universal plug 8 A	67833000	67843000



#### Flat Cable with connector Ø 21 mm

12-24 V, with 2 x 0.75 mm<sup>2</sup> flat cable, length 1.8 m and with connector, inner-Ø 21 mm, fitting for universal plugs.  
Max. load up to 8 A.

	BP	SP
	SU = 150	SU = 20
<b>8 A</b>	67877000	67887000



#### Helix Cable with connector Ø 21 mm

12-24 V, with 2 x 0.75 mm<sup>2</sup> helix cable, length 0.6 m to 3.0 m and with connector, inner-Ø 21 mm, fitting for universal plug.  
Max. load up to 8 A.

	BP	SP
	SU = 100	SU = 20
<b>8 A</b>	67878000	67888000



#### Adaptor with standard plug

12-24 V, adaptor from small (Ø 12 mm) to large (Ø 21 mm) with standard plug, fitting for DIN standard sockets (Ø 12 mm).  
With large connector (Ø 21 mm), fitting for universal plugs.  
Cable 2 x 0.75 mm<sup>2</sup>, length 25 cm. Max. load up to 8 A.

	BP	SP
	SU = 200	SU = 60
<b>8 A</b>	67872000	67882000



#### Adaptor with power plug

12-24 V, adaptor from large (Ø 21 mm) to small (Ø 12 mm) with power plug fitting for cigarette lighter / power sockets (Ø 21 mm).  
With small connector (Ø 12 mm), fitting for standard plugs.  
Cable 2 x 0.75 mm<sup>2</sup>, length 25 cm. Max. load up to 16 A.

	BP	SP
	SU = 200	SU = 60
<b>16 A</b>	67801000	67801500



#### Socket Connector Ø 12 mm

12-24 V, inner-Ø 12 mm, fitting for standard plugs and universal plugs, with contacts according to DIN EN ISO 4165, to install individual extensions for supplying power to electrical devices and lights.  
Max. load up to 16 A.

	BP	SP
	SU = 100	SU = 60
<b>16 A</b>	57621000	57621500



### Twin Socket Connector Ø 12 mm

12-24 V, with 16 A safety universal plug (TÜV-certified, interchangeable fuse integrated), fitting for cigarette lighter / power sockets (inner-Ø 21 mm) and standard sockets (inner-Ø 12 mm). With 2 standard sockets (inner-Ø 12 mm) with contacts according to DIN EN ISO 4165, fitting for standard and universal plugs. Max. load up to 16 A.

	BP	SP
	SU = 50	SU = 20
<b>16 A</b>	67652010	67662010



### Power Twin Socket Connector Ø 21 mm

12-24 V, with 16 A universal plug, fitting for cigarette lighter / power sockets (inner-Ø 21 mm) and standard sockets (inner-Ø 12 mm). With 2 power sockets (inner-Ø 21 mm), fitting for universal plugs. Max. load up to 16 A.

	BP	SP
	SU = 60	SU = 20
<b>16 A</b>	67654000	67664000



### Twin Socket Connector Ø 21 mm

12-24 V, with 16 A safety universal plug (TÜV-certified, interchangeable fuse integrated), fitting for cigarette lighter / power sockets (inner-Ø 21 mm) and standard sockets (inner-Ø 12 mm). With 2 connectors (inner-Ø 21 mm), fitting for universal plugs. With cable 2 x 0.75 mm<sup>2</sup> flat cable, length 25 cm. Max. load 8 A per connector.

	BP	SP
	SU = 100	SU = 20
<b>16 A</b>	67879000	67889000



### Triple Socket Connector Ø 21 mm

12-24 V, with 16 A safety universal plug (TÜV-certified, interchangeable fuse integrated), fitting for cigarette lighter / power sockets (inner-Ø 21 mm) and standard sockets (inner-Ø 12 mm). With 3 connectors (inner-Ø 21 mm), fitting for universal plugs. With cable 2 x 0.5 mm<sup>2</sup> flat cable, length 25 cm. Max. load 8 A per coupling, max. 16 A in total.

	BP	SP
	SU = 100	SU = 20
<b>3 x 5 A</b>	67879050	67889050



### Appliance Cable 2 A

12-24 V, with 2 A safety universal plug (interchangeable fuse integrated), fitting for cigarette lighter / power sockets (inner-Ø 21 mm) and standard sockets (inner-Ø 12 mm), assembled with cable 2 x 0.4 mm<sup>2</sup>, length 2 m and with angled DC connector. Max. load up to 2 A.

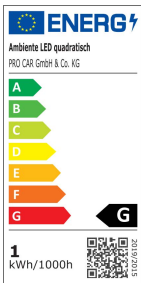
	BP	SP
	SU = 200	SU = 60
DC connector, inner-Ø 2.1 x outer-Ø 5.5 mm	67854900	67864900
DC connector, inner-Ø 2.5 x outer-Ø 5.5 mm	67854910	67864910



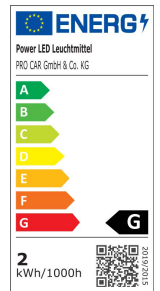
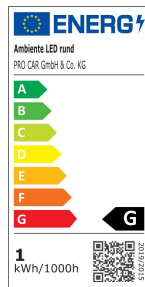
### Appliance Cable 8 A

12-24 V, with 8 A safety universal plug (interchangeable fuse integrated), fitting for cigarette lighter / power sockets (inner-Ø 21 mm) and standard sockets (inner-Ø 12 mm), assembled with cable 2 x 0.75 mm<sup>2</sup>, length 2 m and with straight DC connector. Max. load up to 8 A.

	BP	SP
	SU = 200	SU = 60
DC connector, inner-Ø 2.1 x outer-Ø 5.5 mm	67854930	67864930
DC connector, inner-Ø 2.5 x outer-Ø 5.5 mm	67854920	67864920



**Example of use**  
spot not included in delivery!



### Ambiance LED

8-30 V DC / 1 W, flat and multi-purpose LED surface-mounted light.  
Easy installation with glue or screws.  
Light colour warm white, 3200 K, plastic housing, silver coated frame.

	BP	SP
	SU = 50	SU = 20
<b>round</b> , Ø 52 mm x 6 mm	57402000	57402500
<b>square</b> , 52 x 52 x 6 mm	57403000	57403500

### Power LED Illuminant

12-24 V DC / 12 V AC / 1.6 W, Ø 30 mm, with G4 pin base on the side. Used as replacement for 10 Watt halogen lights. Energy efficiency class A++, light colour warm white, 2700 K, 120 Lm/Watt, stable voltage 9-28 V DC / 9-20 V AC

	BP	SP
	SU = 100	SU = 60
<b>12-24 V</b>	57429010	57429060



**Voltage Converter 24 V DC / 12 V DC**

24 V DC, output 12 V DC, allows the direct connection of 12 V consumers in e.g. trucks with 24 V on-board voltage. The voltage converter is simply plugged between the truck socket and the consumer. With power plug, fitting into cigarette lighter / power sockets (inner-Ø 21 mm) and 1.2 m cable and with power socket (inner-Ø 21 mm), fitting for universal plugs.

- 72 W (120 W short time)
- low internal consumption < 30 mA
- integrated protection against overvoltage, voltage peaks and overheating

	<b>SP</b>
	SU = 10
<b>24 V</b>	68305000



**Electric Socket Power Supply 60 W with connector Ø 21 mm**

230 V AC input / output 12 V DC, 5 A, with approx. 1.2 m cable and large connector (Ø 21 mm), fitting for universal plugs for connecting 12 volt devices, such as PRO CAR heating carpets and fabrics, electric coolers, pumps, lights etc.

	<b>BP</b>	<b>SP</b>
	SU = 50	SU = 20
<b>5 A</b>	20900700	20900750



**EisEx Heating Cable 12 volt, 24 volt, 48 volt**

Adapts to every water pipe bend and thaws even frozen pipes and outlet slides in a short time.

Can be used on all pipes at risk from frost and for special solutions. Ideal for winter camping in caravans and motorhomes.

The heating cable is laid or wound around pipes.

It can be connected directly to the 12 volt on-board electrical system.

Can also be used at 230 volts with transformer.

The required length corresponds to twice the length of the pipe to be heated.

**Lengths from 1 m in 10 cm steps available.**  
**Output approx. 7.5 watt per metre.**

	<b>Art.-No.</b>
<b>12 V</b>	20500000
<b>24 V</b>	21500000
<b>48 V</b>	23500000

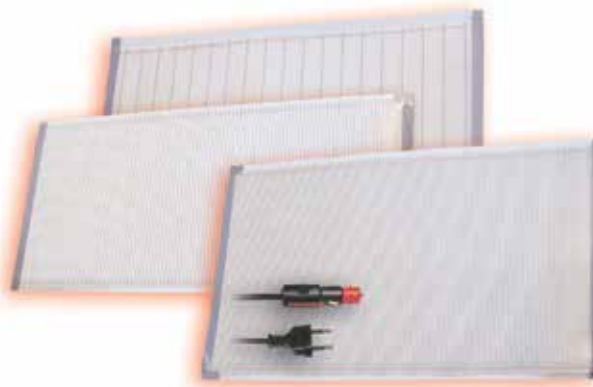


**12 Volt Transformers with socket connector Ø 12 mm**

230 V / 12 V with Euro flat plug and small connector (Ø 12 mm), fitting for standard and universal plugs to connect 12 volt devices such as PRO CAR heating carpets and fabrics, electric coolers, lights etc.

	<b>Art.-No.</b>
230 V / 12 V~ 100 VA	20901001
230 V / 12 V~ 200 VA	20902001





### Heating Fabric 12 volt, 32 volt, 230 volt

For decades the heating fabric has been used successfully in the original equipment and retrofitting of underfloor heating systems in motorhomes, caravans, at home and at the workplace (office, workshop or market stall).

The heating fabric, which is less than 1 mm thin, is flexible and ideal suited for heating surfaces, stone slabs, tiles, mirrors, carpets, laminate and almost all flooring which is suitable for underfloor heating.

The glass fibre fabric consists of heat-conducting carbon fibres, which generate a pleasant warmth within a few minutes.

The panel heating system is available in various dimensions and in voltages of 12, 32 and 230 volt for industry, trade and handicraft in roll form or ready for connection.

We also offer the corresponding transformers for the low-voltage versions.

The heating fabric is also used in our heating carpets.

#### Technical data

Standard versions, assembled with connecting cable:

Voltage	Power	Width	Length up to max.
12 volt	approx. 160 Watt/m <sup>2</sup>	50 cm	150 cm
32 volt	approx. 160 Watt/m <sup>2</sup>	60, 80 cm	300 cm
230 volt	approx. 160 Watt/m <sup>2</sup>	30, 50, 60, 75 cm	–

#### Power cable assembly:

Approx. 2.3 m connection cable with:

Universal plug / 12 volt  
Wire ends open / 32 volt  
Euro flat plug / 230 volt

### Heating Fabric

Voltage	Width	Art. No.
12 volt	50 cm	20105000
32 volt	60 cm	22106000
32 volt	80 cm	22108000
230 volt	30 cm	25103000
230 volt	50 cm	25105000
230 volt	60 cm	25106000
230 volt	75 cm	25107500

#### Notes on safety:

No insulating materials should be placed on the heating fabric.  
The carpet placed on the heating fabric must be suitable for underfloor heating.

#### Advantages and properties:

- Short heating up time
- Low power consumption
- Low cost purchase and operation (use)
- Flexible and easy to lay (ready to connect)
- Maintenance free
- Silent
- No raised dust





### Heating Carpet 12 volt and 230 volt

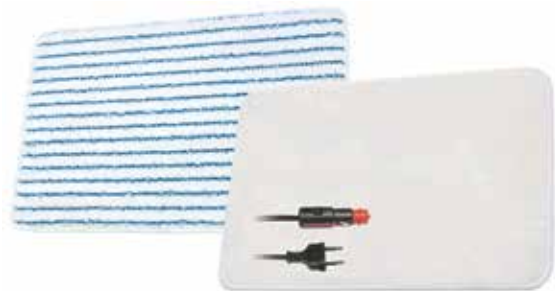
Just put it down and enjoy the warmth. The carpets convince by their two-sided design, one side carpet and one side anti-slip material. The high-quality heating carpets are available in 4 standard sizes and 4 different colours.

After a short warm-up time (approx. 10 minutes) a comfortable foot temperature of up to approx. 30 °C develops.

Special sizes on request.

		Size	Art.-No.			
12 volt			silver	anthracite	light brown	blue
ca. 25 W	60 x 40 cm	20203500	20203501	20203520	20203512	
ca. 50 W	60 x 70 cm	20206000	20206001	20206020	20206012	
ca. 70 W	60 x 100 cm	20209000	20209001	20209020	20209012	

		Size	Art.-No.			
230 volt			silver	anthracite	light brown	blue
ca. 25 W	60 x 40 cm	25203500	25203501	25203520	25203512	
ca. 50 W	60 x 70 cm	25206000	25206001	25206020	25206012	
ca. 70 W	60 x 100 cm	25209000	25209001	25209020	25209012	
ca. 100 W	80 x 90 cm	25201100	25201101	25201120	25201112	



### Bathroom Heating Carpet 12 volt and 230 volt

Pleasant foot warmth in the bathroom. The upper material consists of a super-soft pile and an anti-slip material on the back.

The bathroom heating carpets are available in 3 standard sizes and 2 colours.

After a short warm-up time (approx. 10 minutes) a comfortable foot temperature of up to approx. 30 °C develops.

The heating fabric can be removed by zipper, which allows the cover to be washed up to 60 °C in the washing machine.

		Size	Art.-No.	
12 volt			blue	white
ca. 30 W	55 x 40 cm	20404012	20404001	
ca. 50 W	55 x 65 cm	20407012	20407001	
ca. 70 W	55 x 95 cm	20401012	20401001	

		Size	Art.-No.	
230 volt			blue	white
ca. 30 W	55 x 40 cm	25404012	25404001	
ca. 50 W	55 x 65 cm	25407012	25407001	
ca. 70 W	55 x 95 cm	25401012	25401001	



### Heatable Auto Carpet

12 V, for driver side left or passenger side right incl. connecting assembly with 1.0 m cable and universal plug, fitting for cigarette lighter / power sockets (inner-Ø 21 mm) and standard sockets (inner-Ø 12 mm) for connecting to the 12 V vehicle electrical system of the car.

It includes an auto carpet top side and an anti-slip bottom side.

This auto carpet is universally applicable. After a short warm-up time (approx. 10 min.), a comfortable foot temperature of up to approx. 30 °C develops.

Dimensions 54 x 40 cm, power approx. 22 Watt, colour anthracite.

	Art.-No.
driver side, left	20201011
passenger side, right	20201010



### Heatable Auto Carpet suitable for Fiat Ducato

12 V, or Fiat Ducato model 2014-2019, incl. power assembly with 1.2 m cable and universal plug, fitting for cigarette lighter / power sockets (inner-Ø 21 mm) and standard sockets (inner-Ø 12 mm) for connecting to the 12 V on-board power supply.

It consists of a loop auto carpet top side and an anti-slip bottom side.

After a short warm-up time (approx. 10 min.), a comfortable foot temperature up to approx. 30 °C develops.

Power approx. 80 Watt, colour anthracite.

	Art.-No.
Fiat Ducato Bj. 2014-2019	20201020



**PRO CAR GmbH + Co. KG**  
Auto- und Bootszubehör

Hälverstr. 43  
58579 Schalksmühle  
Germany  
Fon +49 (0) 23 55/893-200  
Fax +49 (0) 23 55/893-290  
[www.pro-car.de](http://www.pro-car.de)  
[pro-car@pro-car.de](mailto:pro-car@pro-car.de)