

POWER AMPLIFIER UNITS UR-PA5000 UR-PA6000

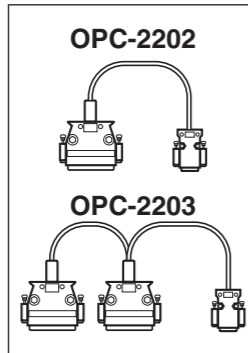
REQUIRED

Before installing the power amplifier unit, one of the following cables is required.

NOTE: The cables are not supplied with the the power amplifier unit.

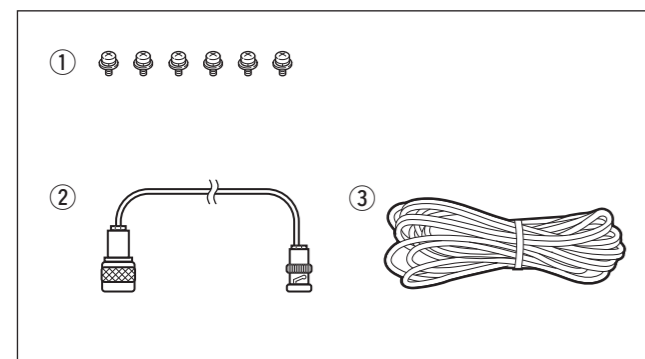
• **OPC-2202 CONNECTION CABLE**
Connects between the repeater unit and the PA unit.

• **OPC-2203 CONNECTION CABLE**
Connects between the repeater unit, the PA unit and the external equipment, if used.



SUPPLIED ACCESSORIES

- ① Set screws (M3×6 mm).....6
- ② Coaxial cable (OPC-2243).....1
- ③ DC power cable.....1



• FOR CLASS A UNINTENTIONAL RADIATORS:

This equipment has been tested and found to comply with the limits for a Class A digital device, pursuant to part 15 of the FCC Rules. These limits are designed to provide reasonable protection against harmful interference when the equipment is operated in a commercial environment. This equipment generates, uses, and can radiate radio frequency energy and, if not installed and used in accordance with the instruction manual, may cause harmful interference to radio communications.

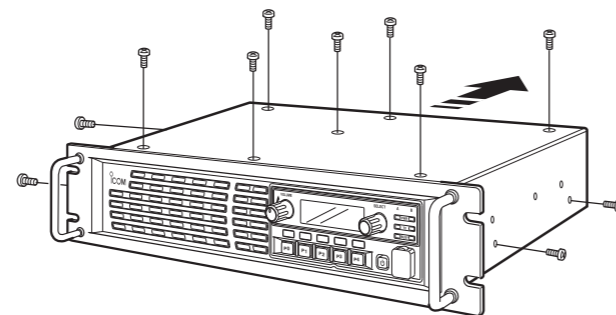
Operation of this equipment in a residential area is likely to cause harmful interference in which case the user will be required to correct the interference at his own expense.

Icom, Icom Inc. and the Icom logo are registered trademarks of Icom Incorporated (Japan) in Japan, the United States, the United Kingdom, Germany, France, Spain, Russia and/or other countries.
All other products or brands are registered trademarks or trademarks of their respective holders.

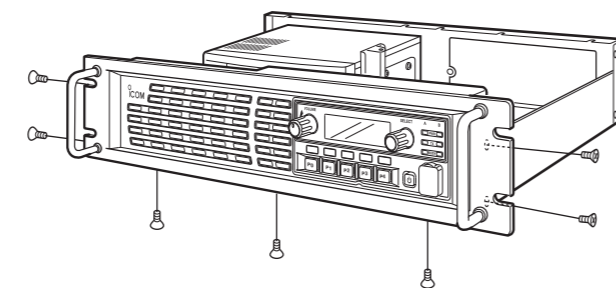
Thank you for purchasing the UR-PA5000/UR-PA6000 POWER AMPLIFIER UNITS for the IC-FR5000/IC-FR6000 series repeaters.
Please read these instructions and the repeater's instruction manual carefully before installing the units and operating the repeater.

OPENING CASE

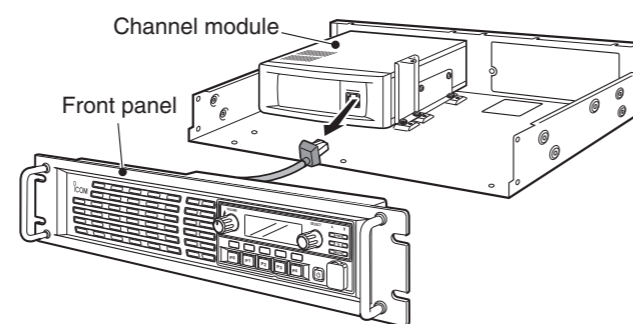
- ① Remove the 7 screws from top and the 2 screws from each side of the repeater, then slide off the top cover to the direction of the arrow.



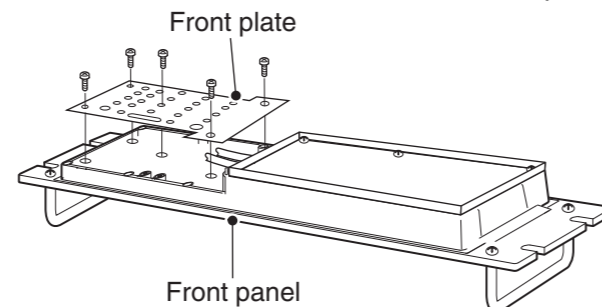
- ② Remove the 3 screws from bottom and the 2 screws from each side of the repeater.



- ③ Disconnect the control cable from the channel module, then remove the front panel.



- ④ Remove the 5 screws to remove the front plate off.

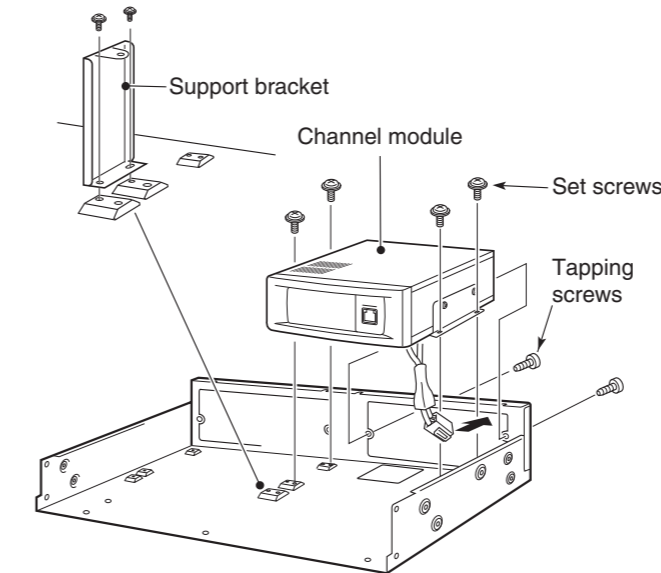


LOCATING THE UNIT

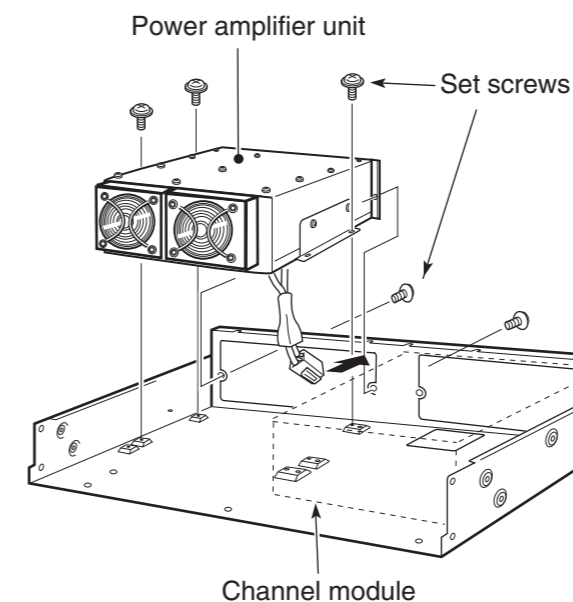
Before installing the power amplifier unit, relocation of the channel module is necessary. Otherwise, the amplifier's ventilation system will not work properly and may damage the unit.

- ① Detach the support bracket by removing the set screws, as illustrated below.
- ② Detach the channel module by removing the 2 tapping screws and the 3 set screws.
- ③ Reinstall the module on the right side (front view) of the base with the 2 tapping screws and 4* set screws.

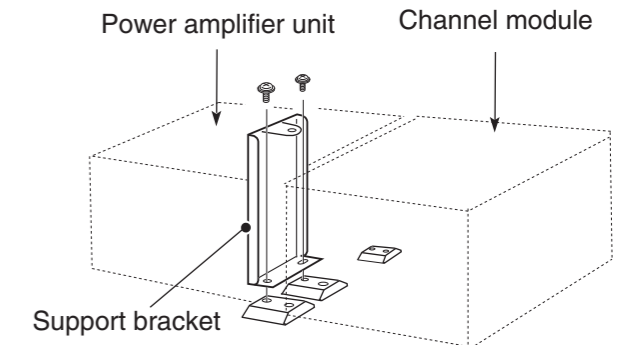
* Use one of the support bracket's set screws to reinstall.



- ④ Install the power amplifier unit with the fans facing the front of the repeater.
- Tighten only 5 set screws at this time, as illustrated below.

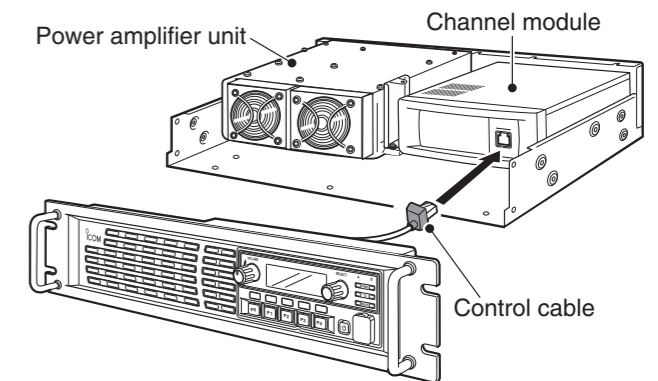


- ⑤ When both module and amplifier are installed, attach the support bracket with the set screws to the original location, on the amplifier's angle.
- The inmost part of the bracket will be tightened along with the amplifier's angle.

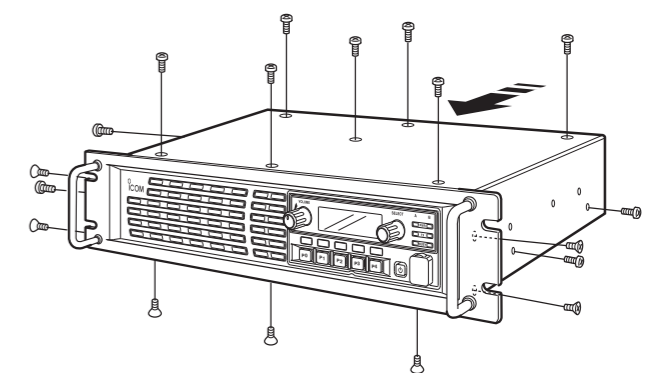


ASSEMBLE THE UNIT

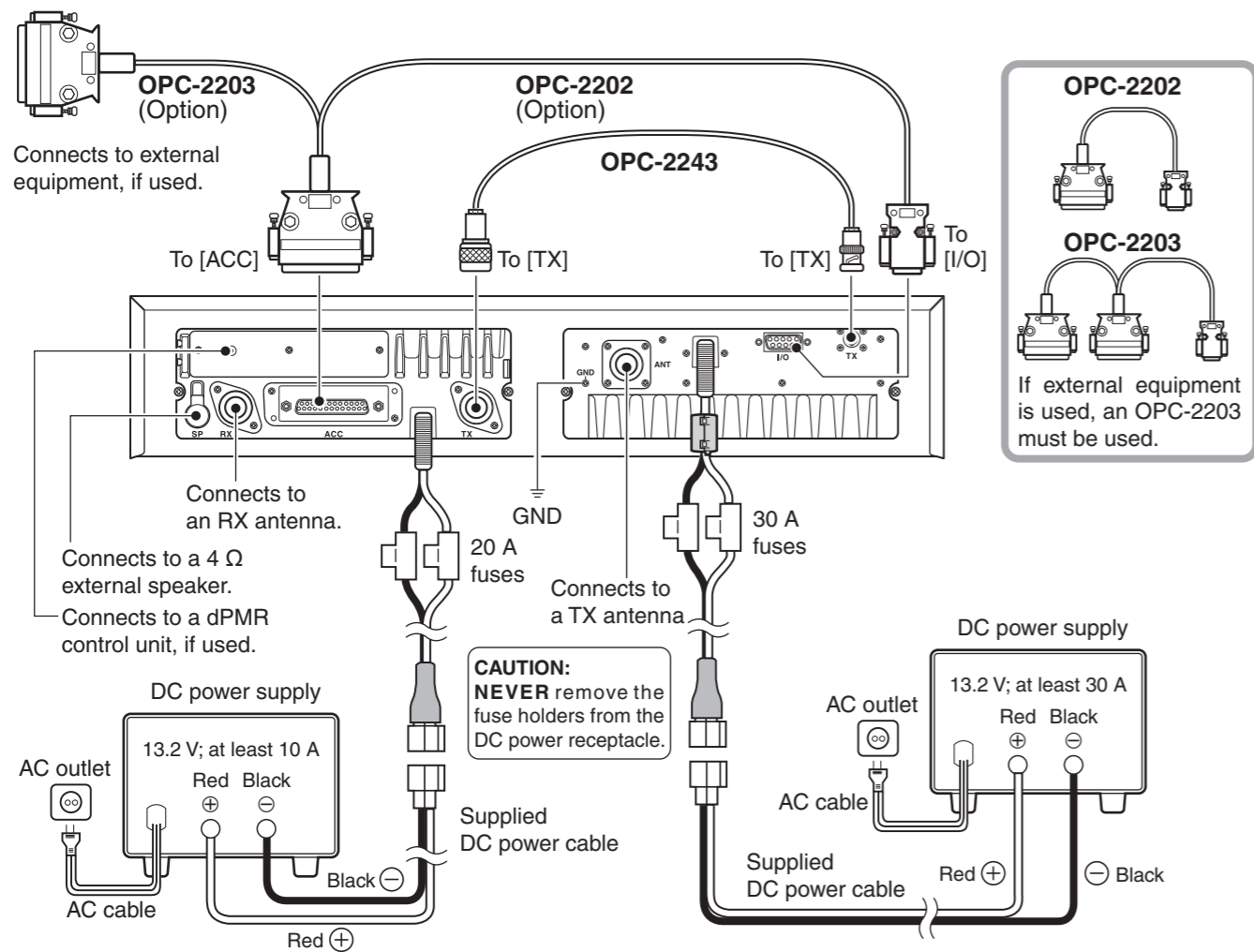
- ① Connect the control cable to the channel module.



- ② Return the front panel, top cover and screws to their original positions.



REAR PANEL CONNECTION

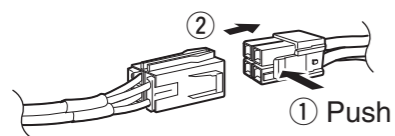


POWER SUPPLY CONNECTION

Make sure the repeater's power is turned OFF before connecting a DC power cable.

CAUTION: Voltages greater than 16 V DC will damage the repeater. Check the source voltage before connecting the power cable.

⚠ When you disconnect the DC power cable, take care to not break your fingernail.



LINE FUSE REPLACEMENT

The UR-PA5000/UR-PA6000 is equipped with 30 A fuses. If the fuses blow, find and repair the problem, then install new fuses with the same ratings.

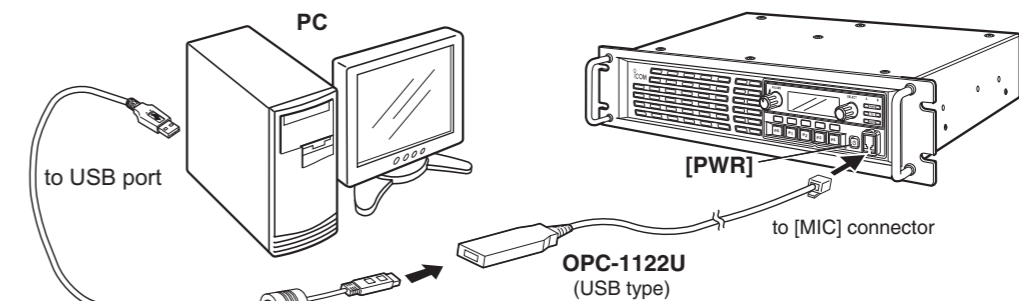
CAUTION: USE specified fuses only.

CAUTION: DISCONNECT the DC power cable from the amplifier. Otherwise, there is danger of an electric shock and/or equipment damage.

CLONE SETTING

NOTE: Before operating the repeater with the power amplifier unit installed, the following settings are necessary using the CS-FR5000 CLONING SOFTWARE in addition to the usual repeater settings. Refer to the instruction manual of the CS-FR5000 for more details.

- 1 Connect the cloning cable, as illustrated below.
- 2 Push **[PWR]** to turn ON the power.



- 3 Read all the transceiver's data before beginning the setting, even when the transceiver is factory fresh.
 - Click or click "Clone" in the top menu of the cloning software, and then select "Read <- TR" to read.
 - While reading or writing the cloning data, NEVER turn OFF the transceiver or the PC, and NEVER disconnect the cloning cable. Otherwise, the data could be lost or deleted.
- 4 Open "Memory CH," and set the RF PWR as "L1."
 - Adjust the output power to 5 W.

- 5 Open "Ports Setting" in the "External I/O" folder, as shown below.
- 6 Set "Ext.I/O18" with "Output" as In/Out, "TX" as the Function and "Low" as the Active Logic.
- 7 Set "Ext.I/O21" with "Output" as In/Out, "AUX1"*1 as the Function and "Low"*2 as the Active Logic.
 - *1 Select a port between AUX1 through 4 that is not selected for other functions.
 - *2 For the 100 W output version, select "High" as the Active Logic.

