

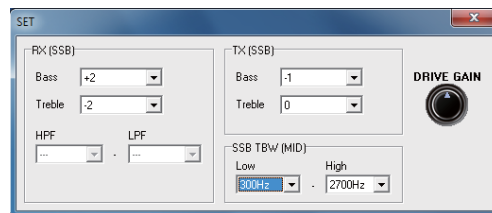
CW Keyer



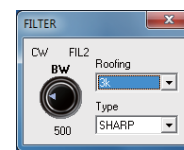
Voice Memory



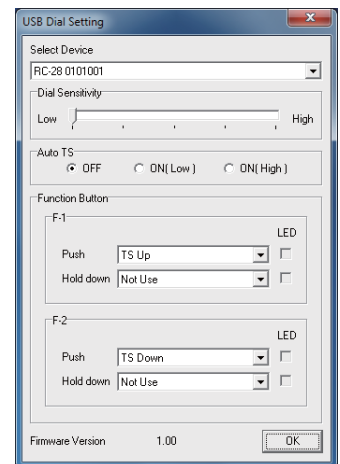
CW Setting



SSB RX/TX Tone Setting



Filter Setting



USB Dial Setting
(Optional RC-28 required)

Remotely Control Icom Transceivers through an IP Network

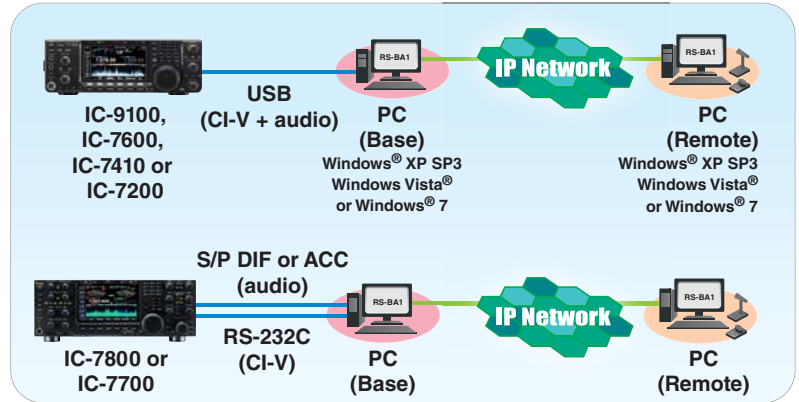
- The RS-BA1 allows you to use the radio installed in another room using your home network or even from a remote location over the Internet.

Advanced Remote Control Interface Tailored to Icom Transceivers

- Most functions and modes of your transceiver, including interference rejection functions and IF filter settings, can be controlled. Also, S-meter and SWR can be observed.
- Rx Voice recording function.
- Optional RC-28 USB remote encoder. Provides a hardware dial/transmit function for realistic dial operation.

- The RS-BA1 consists with two component software applications; System configuration software and remote control software. The system configuration software sets up IP address, audio sampling rate and other settings. The remote control software provides a user interface, similar to the radio's front panel, and allows you to control the radio from a remote location.
- The IC-9100, IC-7600, IC-7410 or IC-7200 can be connected to a PC with a USB cable and the input/output audio signal and CI-V command is sent through the USB cable.
- The IC-7800 or IC-7700 can be connected to a PC with a RS-232C cable plus S/P DIF or ACC cable*.

* RS-BA1 operation with the Base station's PC connected to the radio's ACC socket, MIC connector, or S/P DIF jack for audio communication cannot be guaranteed. Depending on your radio, a few functions or modes cannot be used, or you need to update the radio's firmware to operate the CW keyer, using the RS-BA1.



MINIMUM SYSTEM REQUIREMENTS

PC (Base station or Remote station)

- Operating system : Windows® 7 (32-bit/64-bit), Windows Vista® (32-bit/64-bit), Windows® XP SP3 or later
- CPU : 1GHz Processor or better (A multicore CPU recommended)
- Memory : OS recommended memory or more (for Windows Vista® and Windows® 7) 512MB or more (for Windows® XP)
- Hard disk space : 70MB of available disk space or more
- Display resolution : 1024x600 pixels or more
- Network data speed :
 - Base station Upload: 500 kbps Download: 350 kbps or faster
 - Remote station Upload: 350 kbps Download: 500 kbps or faster (When the default audio quality is used)

RS-BA1 SUPPLIED ITEMS

- CD (including the RS-BA1 instruction manual, the RS-BA1 installer, the USB driver and the USB driver installation guide)
- USB cable (A-B type)
- Installation guides

OPTIONS

RC-28 USB Remote Encoder



- Adjustable dial sensitivity and auto tuning step (OFF/Low/High)
- Two programmable keys of four functions (Push/Hold down)
- Large PTT switch
- The RC-28 will still operate even if a different application (Such as logging software) is open

* To use the optional RC-28, RS-BA1 Ver 1.3 or software upgrade is required. Please download the update program from <http://www.icom.co.jp/world/support/download/firm>

All stated features, screen shots, and specifications may be subject to change without notice or obligation. Icom, Icom Inc. and the Icom logo are registered trademarks of Icom Incorporated (Japan) in the United States, the United Kingdom, Germany, France, Spain, Russia, Japan and/or other countries. Windows and Windows Vista are either registered trademarks or trademarks of Microsoft Corporation in the United States and/or other countries.

Icom Inc. 1-1-32, Kami-minami, Hirano-ku, Osaka 547-0003, Japan Phone: +81 (06) 6793 5302 Fax: +81 (06) 6793 0013 www.icom.co.jp/world

Count on us!

Icom America Inc.

2380 116th Avenue NE, Bellevue, WA 98004, U.S.A. Phone: +1 (425) 454-8155 Fax: +1 (425) 454-1509 E-mail: sales@icomamerica.com URL: <http://www.icomamerica.com>

Icom New Zealand

146A Harris Road, East Tamaki, Auckland, New Zealand Phone: +64 (09) 274 4062 Fax: +64 (09) 274 4708 E-mail: inquiries@icom.co.nz URL: <http://www.icom.co.nz>

Icom (UK) Ltd.

Blacksale House, Altira Park, Herne Bay, Kent, CT6 6GZ, U.K. Phone: +44 (0) 1227 741741 Fax: +44 (0) 1227 741742 E-mail: info@icomuk.co.uk URL: <http://www.icomuk.co.uk>

Asia Icom Inc.

6F No. 68, Sec. 1 Cheng-Teh Road, Taipei, Taiwan, R.O.C. Phone: +886 (02) 2559 1899 Fax: +886 (02) 2559 1874 E-mail: sales@asia-icom.com URL: <http://www.asia-icom.com>

Your local distributor/dealer:

Icom Canada

Glenwood Centre #150-6165 Highway 17, Delta, B.C., V4K 5B8, Canada Phone: +1 (604) 952-4266 Fax: +1 (604) 952-0090 E-mail: info@icomcanada.com URL: <http://www.icomcanada.com>

Icom (Europe) GmbH

Communication Equipments Auf der Krautweide 24 65812 Bad Soden am Taunus, Germany Phone: +49 (6196) 76685-0 Fax: +49 (6196) 76685-50 E-mail: info@icom-europe.com URL: <http://www.icomeurope.com>

Icom France s.a.s.

Zac de la Plaine, 1 Rue Brindejonn des Moulinais, BP 45804, 31505 Toulouse Cedex 5, France Phone: +33 (5) 61 36 03 03 Fax: +33 (5) 61 36 03 00 E-mail: icom@icom-france.com URL: <http://www.icom-france.com>

Beijing Icom Ltd.

10C07, Long Silver Mansion, No.88, Yong Ding Road, Haidian District, Beijing, 100039, China Phone: +86 (010) 5889 5391/5392/5393 Fax: +86 (010) 5889 5395 E-mail: bjicom@bjicom.com URL: <http://www.bjicom.com>

Icom (Australia) Pty. Ltd.

Unit 1 / 103 Garden Road, Clayton, VIC 3168 Australia Phone: +61 (03) 9549 7500 Fax: +61 (03) 9549 7505 E-mail: sales@icom.net.au URL: <http://www.icom.net.au>

Icom Spain S.L.

Ctra. Rubi, No. 88 "Edificio Can Castanyer" 65812 Bad Soden am Taunus, Barcelona, Spain Phone: +34 (93) 590 26 70 Fax: +34 (93) 589 04 46 E-mail: icom@icomspain.com URL: <http://www.icomspain.com>

Icom Polska

81-850 Sopot, ul. 3 Maja 54, Poland Phone: +48 (58) 550 7135 Fax: +48 (58) 551 0484 E-mail: icompolska@icompolska.com.pl URL: <http://www.icompolska.com.pl>