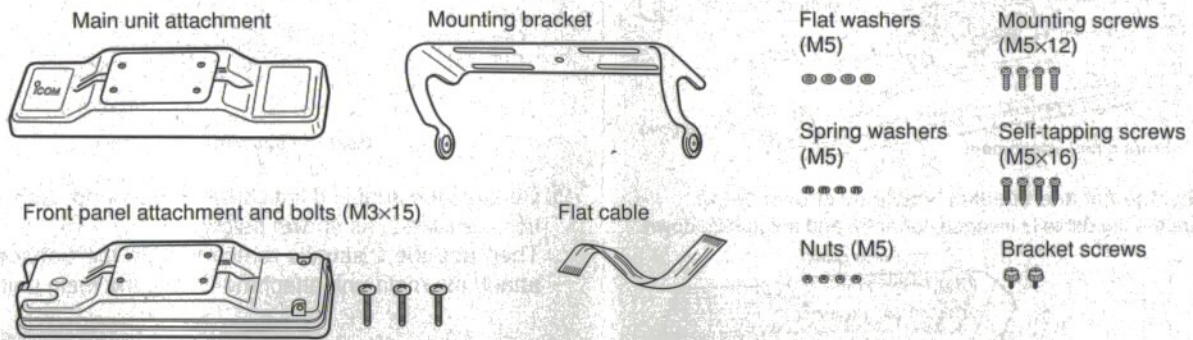


Thank you for purchasing the **RMK-2 SEPARATION KIT**. The RMK-2 allows you to install the IC-F1700 series transceiver front panel separately from the main unit for added installation convenience and operation. Use either the optional OPC-607, OPC-608 or OPC-609 SEPARATION CABLE with the RMK-2.

### ■ Supplied accessories

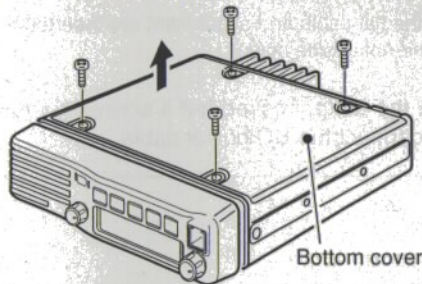


### ■ Separation

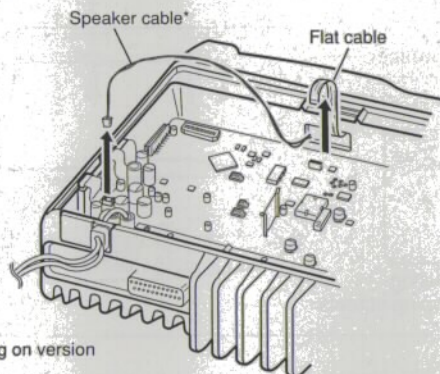
**CAUTION!** To avoid damage to the transceiver, turn the power OFF before separating from the main unit.

The optional OPC-607 (3 m; 9.84 ft), OPC-608 (8 m; 26.3 ft) or OPC-609\* (1.9 m; 6.3 ft) SEPARATION CABLE is required for installing the transceiver front panel and main unit separately. \*For Europe version, only the OPC-609 is available.

- Turn the transceiver's power OFF, then disconnect the DC power cable.
- Unscrew the 4 bottom screws, then remove the bottom cover from the transceiver in the direction of the arrow.

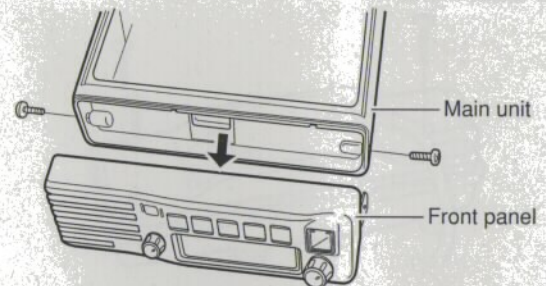


- Disconnect the flat cable and speaker cable\* from the main unit.



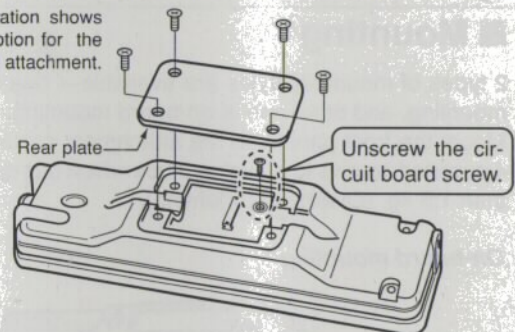
\*Depending on version

- Unscrew the 2 side screws, then remove the front panel from the transceiver main unit in the direction of the arrow.



- Unscrew the 4 screws, then remove the rear plates from both the front panel and main unit attachments.

\*This illustration shows the description for the front panel attachment.

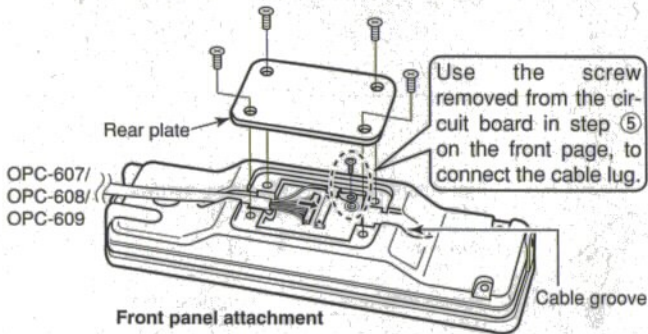


➡ Continue to the back page.

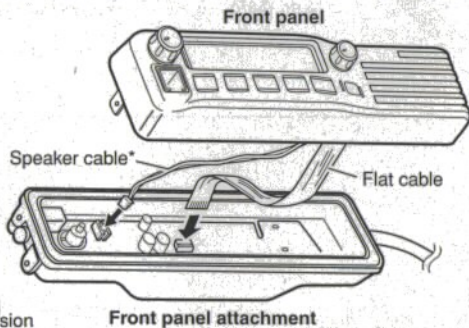
## ■ Attachment

### For the front panel attachment:

- Connect the optional OPC-607, OPC-608 or OPC-609 to the front panel attachment as shown below. After the cable connection, replace the removed rear plate and the 4 screws.
  - The optional cable can be inserted into either the left or right grooves as desired on the back of the attachment.

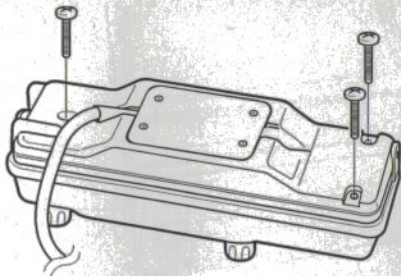


- Connect the flat and speaker\* cable as shown below.
  - Ensure the flat cable is inserted correctly, and not upside down.



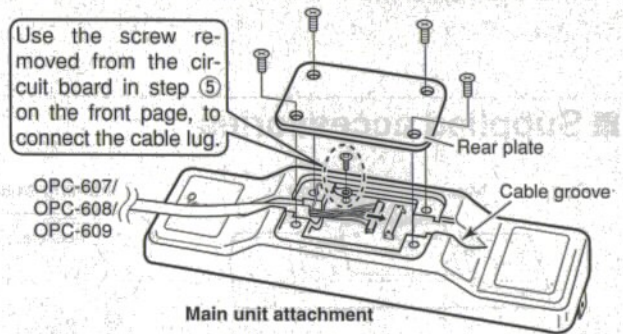
\*Depending on version

- Screw the 3 supplied bolts to attach the front panel and the attachment.

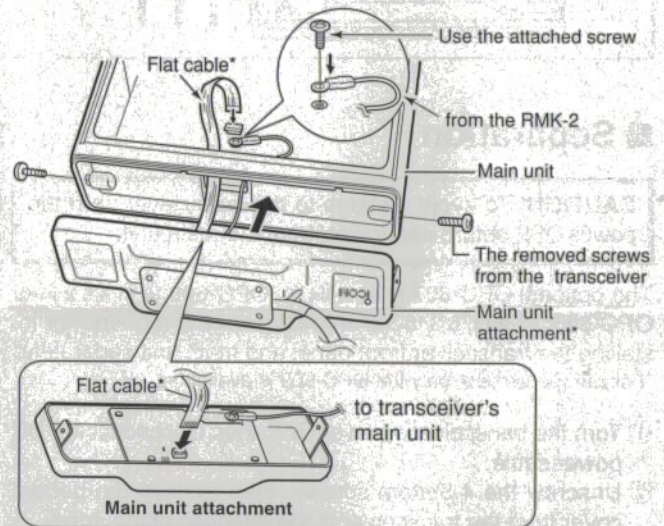


### For the main unit attachment:

- Connect the optional OPC-607, OPC-608 or OPC-609 to the main unit attachment as shown below. After the cable connection, replace the removed rear plate.
  - The optional cable can be inserted into either the left or right grooves as desired on the back of the attachment.



- Connect the supplied flat cable\* and ground cable (coming from the RMK-2) as shown below. Then use the 2 screws removed from the transceiver to attach the main unit attachment\* and the main unit.



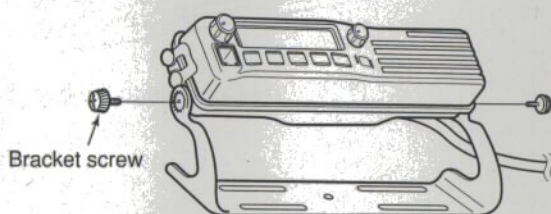
\*Ensure the flat cable and attachment are inserted/attached correctly, and not upside down.

- Replace the bottom cover and 4 screws removed earlier, then re-connect the DC power cable.

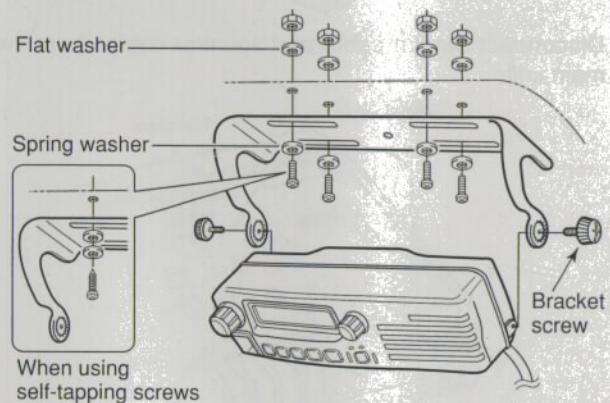
## ■ Mounting

2 types of mounting styles are available—one is overhead mounting, and other one is on-board mounting. Mount the front panel and the attachment securely with the 4 supplied screws to a thick surface which can support more than 1.5 kg. (Overhead mounting)

### On-board mounting



### Overhead mounting



## NOTE— Front panel modification

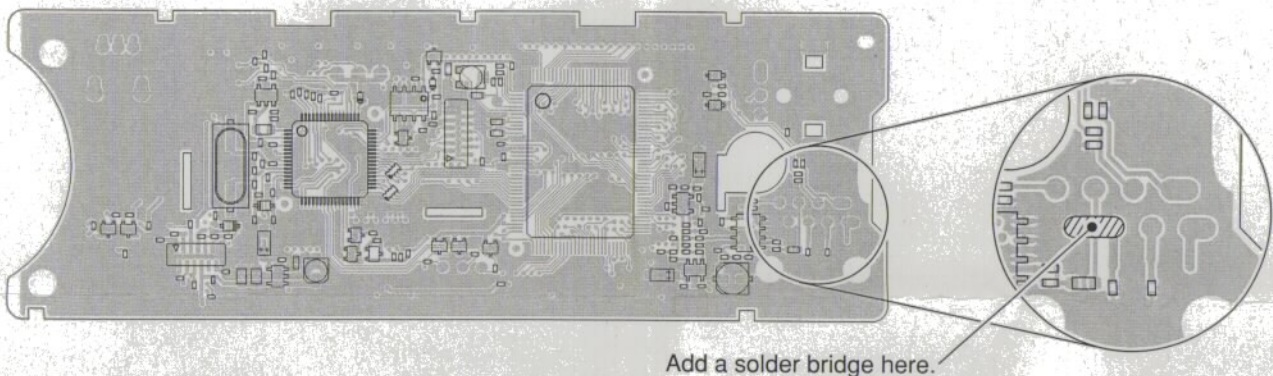
When installing the RMK-2 SEPARATION KIT, the following modification is necessary to remove noise that can be received through the separation cable. This modification is necessary for the transceiver that the serial number is in the following range.

Model Name	Serial number	Model Name	Serial number	Model Name	Serial number	
IC-F1721/D	: 0101001-0101948,	IC-F2721/D	: 0101001-0101248,	IC-F2821/D	: 2101001-2101200,	
	0201001-0201552,		0201001-0201152,		2201001-2201156,	
	0301001-0301600		0301001-0301204,		2301001-2301152,	
IC-F1710	: 0501001-0501300,		0401001-0401152,		2401001-2401152,	
	0601001-0601148		0501001-0501248,		2501001-2501200,	
IC-F1821/D	: 1101001-1101500,	IC-F2710	: 1001001-1001348,	IC-F2810	: 3001001-3001300	
	1201001-1201300,		1201001-1201096,			3301001-3301048
	1301001-1301348		1301001-1301200			
IC-F1810	: 1501001-1501600					

### ◇ Modification

Add a solder bridge between pin 5 (MICE) and pin 7 (GND) of the microphone connector on the front panel as shown in the figures below.

#### • IC-F1700, IC-F2700 series



#### • IC-F1800, IC-F2800 series

