

ICOM INSTRUCTIONS

PTT MICROPHONE ADAPTER

CT-23

Thank you for purchasing the **CT-23** PTT MICROPHONE ADAPTER.

The CT-23 enables you to connect an Icom microphone to a Remote Communicator (PC) in your IDAS system.

Please read these instructions thoroughly before using the CT-23.

PRECAUTIONS

⚠ WARNING! NEVER connect an AC adapter to the CT-23 other than the specified one. This may cause a fire or damage the CT-23.

CAUTION: NEVER connect a microphone to the CT-23 other than the specified one. Other microphones may have different pin assignments, and could damage the CT-23 or the microphone.

CAUTION: NEVER expose the CT-23 to rain, snow or any liquids. This may damage the CT-23.

CAUTION: NEVER let metal, wire, etc. touch any connector part of the CT-23.

DO NOT use or place the CT-23 in areas with temperatures below 0°C (+32°F) or above +40°C (+104°F).

DO NOT use harsh solvents such as benzene or alcohol to clean the CT-23, because they can damage its surfaces.

Information

Output audio from the CT-23 includes high pitch tones that humans can hardly hear. However, when you playback any recorded audio while using the CT-23, it might be better to not turn the volume too high.

FEATURES

○ **Make Land Mobile microphones usable for IDAS system**

When the SM-25 STAND MICROPHONE or the HM-152 HAND MICROPHONE is connected to a Remote Communicator (PC) through the CT-23, you can make full use of the microphone for your IDAS system.

○ **POWER/TRANSMIT indicator**

The CT-23 has a POWER/TRANSMIT indicator on the top panel, which enables you to see the operating status at a glance.

○ **External switch is connectable**

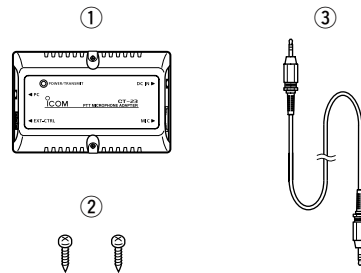
When an external switch is connected, you can use it as a substitute of the microphone's [PTT] and [MONITOR] switches.

○ **Easy connections**

The CT-23 has 4 different types of connectors for safe, easy connection.

SUPPLIED ITEMS

Item	Qty.
① CT-23.....	1
② Self tapping screws.....	2
③ Audio cable	1



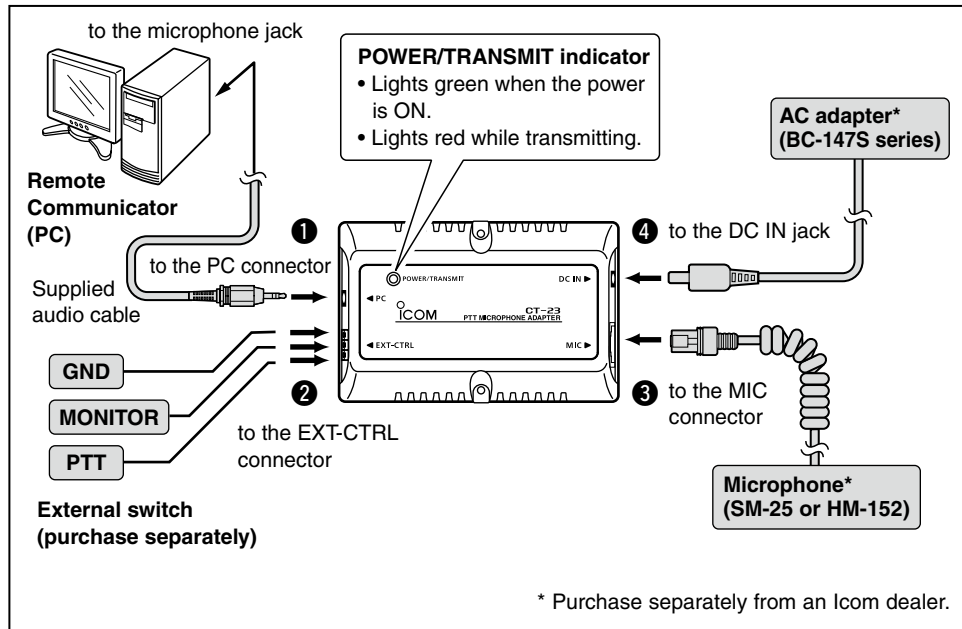
FCC INFORMATION

For CLASS B UNINTENTIONAL RADIATORS

This equipment has been tested and found to comply with the limits for a Class B digital device, pursuant to part 15 of the FCC Rules. These limits are designed to provide reasonable protection against harmful interference in a residential installation. This equipment generates, uses and can radiate radio frequency energy and, if not installed and used in accordance with the instructions, may cause harmful interference to radio communications. However, there is no guarantee that interference will not occur in a particular installation. If this equipment does cause harmful interference to radio or television reception, which can be determined by turning the equipment off and on, the user is encouraged to try to correct the interference by one or more of the following measures:

- Reorient or relocate the receiving antenna.
- Increase the separation between the equipment and receiver.
- Connect the equipment into an outlet on a circuit different from that to which the receiver is connected.
- Consult the dealer or an experienced radio/TV technician for help.

CONNECTIONS



Connect the components to the CT-23 in the following order:

1 PC connection

Connect the microphone jack of the Remote Communicator (PC) to the PC connector using the supplied audio cable.

▨ The sound card of the PC must cover the frequency response range of up to 20 kHz, and have a sampling rate of 48 kHz, for the PTT and monitor functions to operate correctly.

2 External switch connection

If desired, connect a separately purchased external switch to the EXT-CTRL connector, for remote PTT and Monitor switch operation.

3 Microphone connection

Connect the SM-25 or HM-152 to the MIC connector.

You can use the following functions for your IDAS system, depending on the microphone.

- PTT function [SM-25, HM-152]
 - Monitor function [SM-25]
 - The microphone ON hook (mute) and OFF hook (unmute) functions [HM-152]
- ▨ Connect the hanger to the CT-23's ground, to use the functions.

4 AC adapter connection

Connect one of the AC adapters in the BC-147S series that matches your AC voltage requirements.

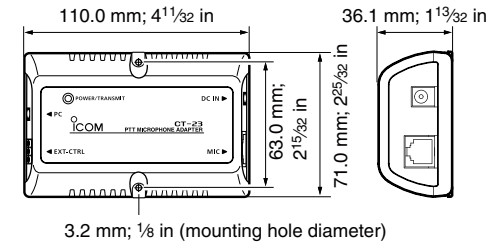
- The POWER/TRANSMIT indicator lights green.
- ▨ Be sure to connect the AC adapter last.

Information

When the HM-152 is connected, you can transmit the microphone audio not only with the microphone's [PTT] switch, but also with the Remote Communicator's [PTT] button, or the external switch.

DIMENSIONS AND INSTALLATION

- Dimensions (approx.)



Mount the CT-23 by inserting the 2 supplied screws through the mounting holes and screwing them into a solid flat surface.

INFORMATION

You may experience the following problems with the CT-23, depending on the sound card of the PC.

- If the [PTT] switch of the microphone or the external switch doesn't work.
 - Disable the filtering system of the sound card.
- If the CT-23 produces a disturbing noise.
 - Disable the Mic boost of the sound card.

▨ For setting details, refer to the equipment manual, or contact the sound card or PC manufacturer.

SPECIFICATIONS

- Power Supply voltage : 12 V DC (supplied from the AC adapter)
- Operating temp. range : 0°C to +40°C; +32°F to +104°F
- Relative humidity : 5% to 95%
- Weight (approx.) : 93 g; 3.28 oz
- Length of the audio cable (approx.) : 1 m; 3 ft 3 3/8 in

All stated specifications are subject to change without notice or obligation.

EXT-CTRL CONNECTOR

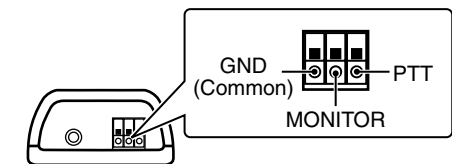
The PTT function is activated when the PTT switch is closed, and the monitor function is activated when the MONITOR switch is closed.

▨ To control the monitor function from the external switch, connect the specified microphone to the CT-23.

Specifications

Open terminal voltage	3.3 V DC
Terminal current when ON	Max. 1 mA
Connector type	One-touch terminal (3 poles)

▨ Use wires with diameter of 0.4 to 1.2 mm; 1/32 to 1/16 in.



Icom, Icom Inc. and the Icom logo are registered trademarks of Icom Incorporated (Japan) in Japan, the United States, United Kingdom, Germany, France, Spain, Russia and/or other countries. IDAS is a trademark of Icom Incorporated.

Icom Inc.

1-1-32 Kamiminami, Hirano-ku, Osaka 547-0003, Japan.

Count on us!

A-6775D-1EX Printed in Japan
© 2009 Icom Inc.