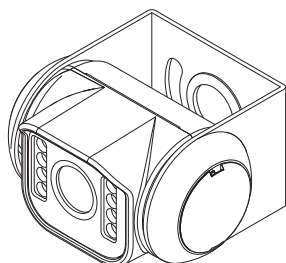


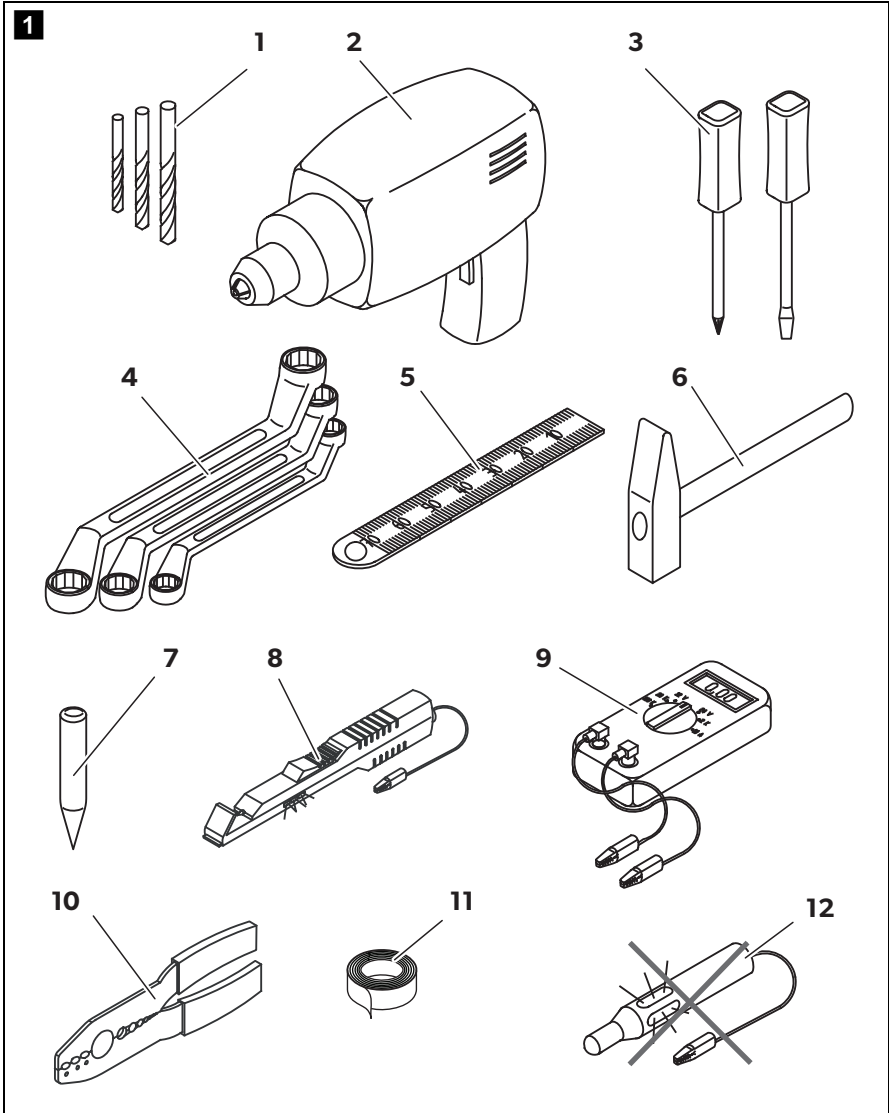


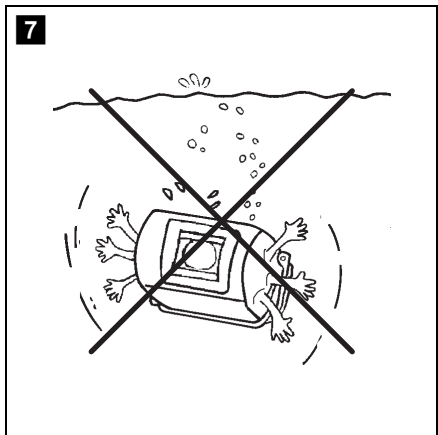
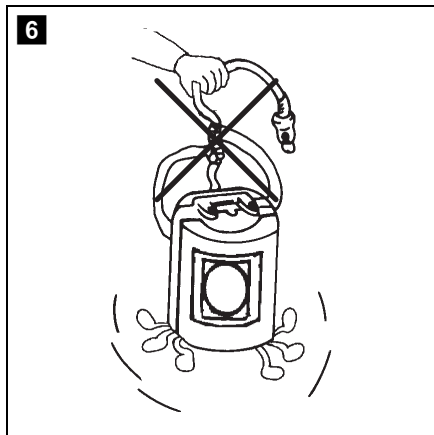
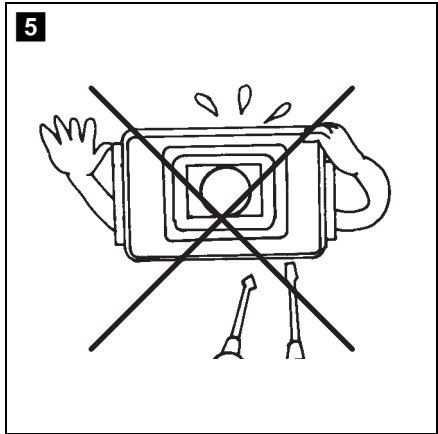
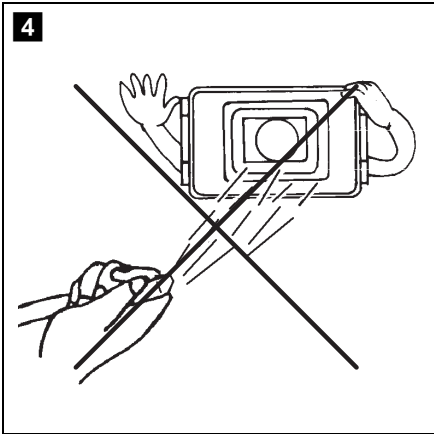
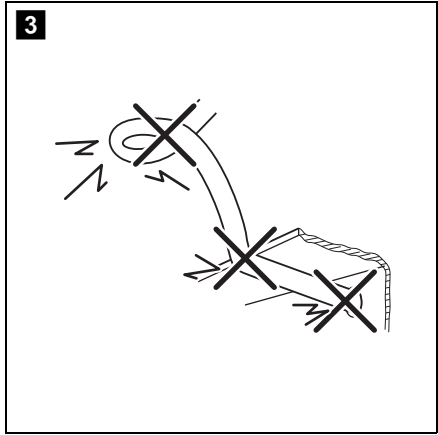
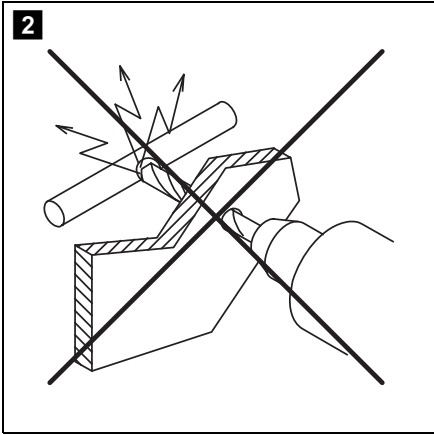
DRIVING SUPPORT PERFECTVIEW

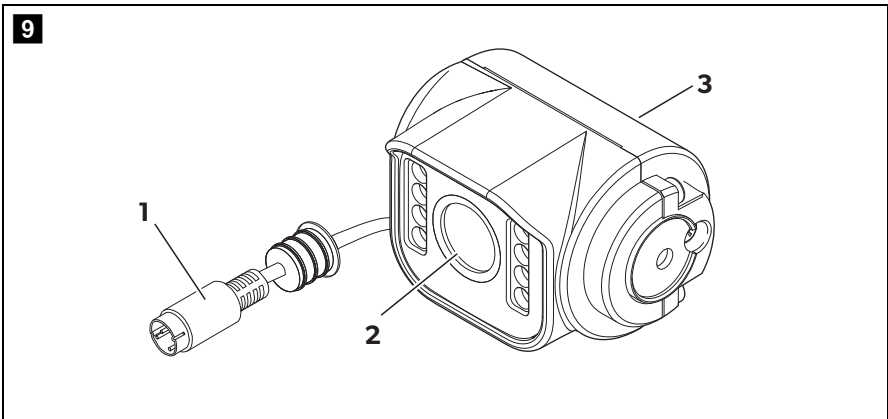
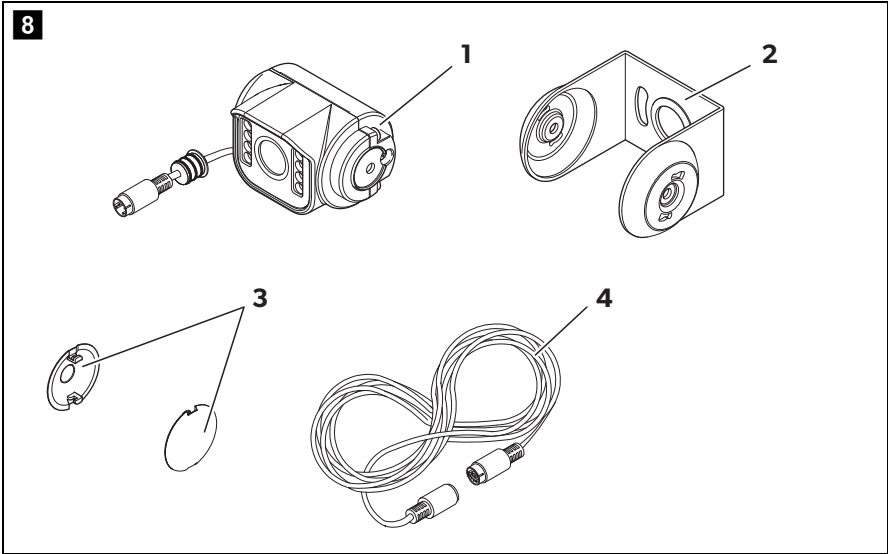


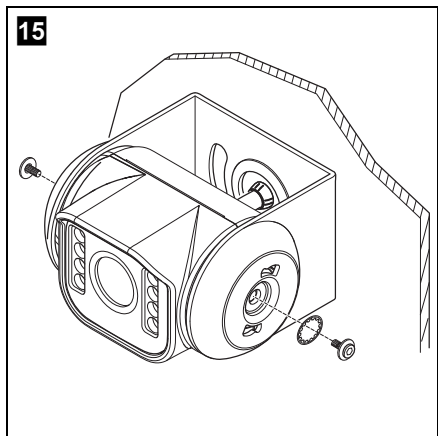
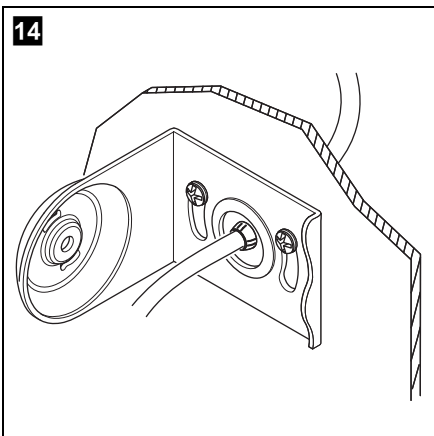
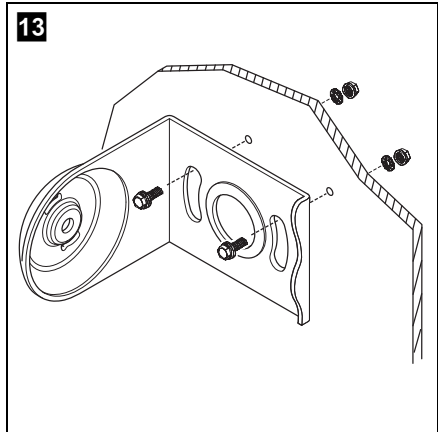
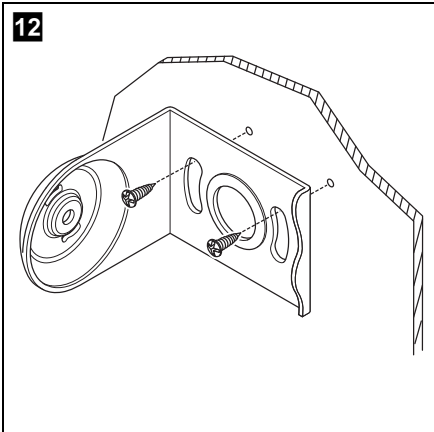
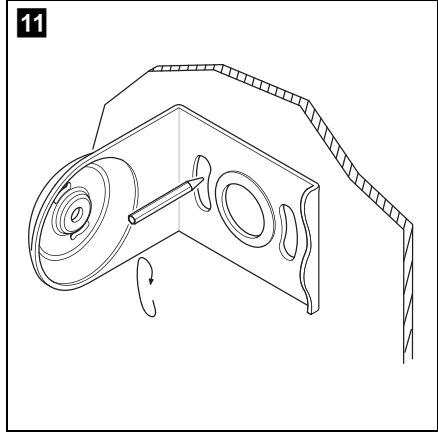
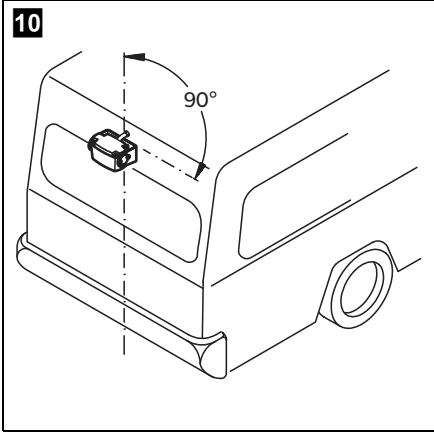
CAM55, CAM55W

- EN Rear View Video Camera**
Installation and Operating Manual 8
- DE Rückfahrvideokamera**
Montage- und Bedienungsanleitung 21
- FR Caméra vidéo de recul**
Instructions de montage
et de service 34
- ES Cámara de vídeo de marcha atrás**
Instrucciones de montaje y de uso 48
- PT Câmara de marcha-atrás**
Instruções de montagem e manual de
instruções 61
- IT Videocamera per la retromarcia**
Istruzioni di montaggio e d'uso 74
- NL Achteruitrijvideocamera**
Montagehandleiding en
gebruiksaanwijzing 88
- DA Bakvideokamera**
Monterings- og betjeningsvejledning . . . 101
- SV Backningsvideokamera**
Monterings- och bruksanvisning 114
- NO Ryggevideokamera**
Monterings- og bruksanvisning 126
- FI Peruutusvideokamera**
Asennus- ja käyttöohje 138
- RU Видеокamera заднего вида**
Инструкция по монтажу
и эксплуатации 150
- PL Kamera cofania**
Instrukcja montażu i obsługi 164
- SK Cúvacia kamera**
Návod na montáž a uvedenie
do prevádzky 177
- CS Cuvací kamera**
Návod k montáži a obsluze 190
- HU Tolatókamera**
Szerelési és használati útmutató 203

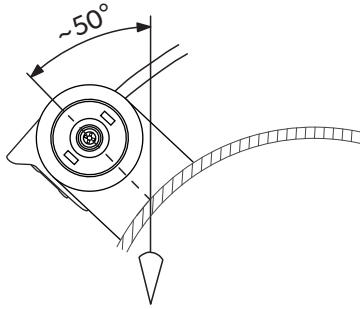




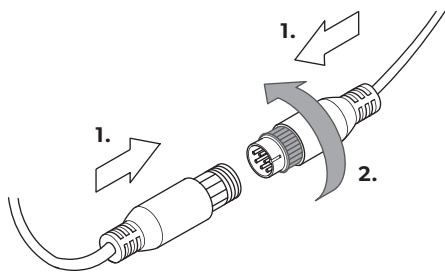




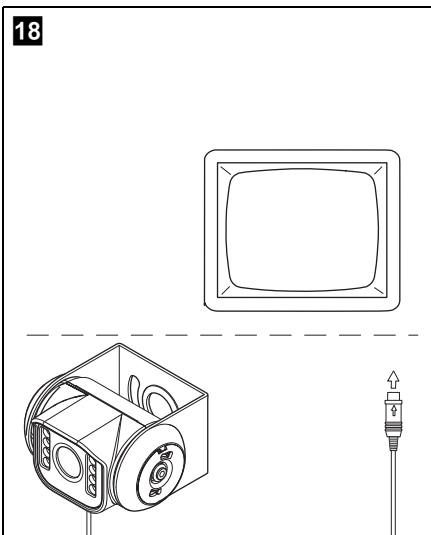
16



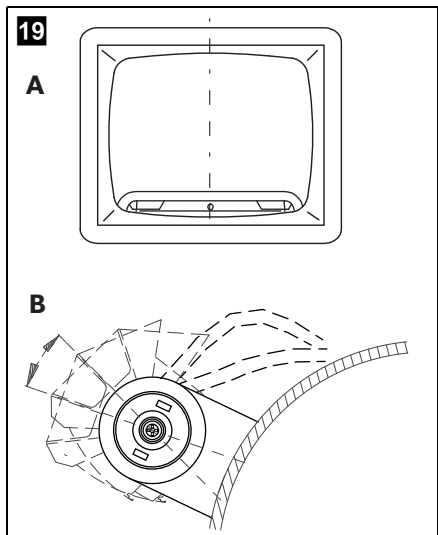
17



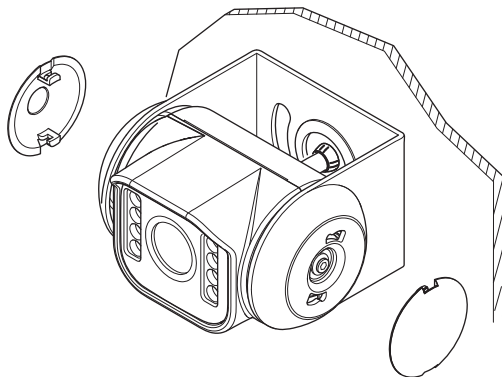
18



19



20



Please read this instruction manual carefully before installation and first use, and store it in a safe place. If you pass on the product to another person, hand over this instruction manual along with it.

Contents

1	Explanation of symbols	9
2	Safety and installation instructions	9
3	Scope of delivery	12
4	Accessories	12
5	Intended use	12
6	Technical description	13
7	Notes on the electrical connections	13
8	Mounting the camera	15
9	Cleaning and caring for the camera	19
10	Guarantee	19
11	Disposal	20
12	Technical data	20

1 Explanation of symbols

**WARNING!**

Safety instruction: Failure to observe this instruction can cause fatal or serious injury.

**CAUTION!**

Safety instruction: Failure to observe this instruction can lead to injury.

**NOTICE!**

Failure to observe this instruction can cause material damage and impair the function of the product.

**NOTE**

Supplementary information for operating the product.

2 Safety and installation instructions

Please observe the prescribed safety instructions and stipulations from the vehicle manufacturer and service workshops.

The manufacturer accepts no liability for damage in the following cases:

- Faulty assembly or connection
- Damage to the product resulting from mechanical influences and excess voltage
- Alterations to the product without express permission from the manufacturer
- Use for purposes other than those described in the operating manual

Please observe the following instructions:

- To prevent short circuits, always disconnect the negative terminal of the vehicle's electrical system before working on it.
If the vehicle has an additional battery, its negative terminal should also be disconnected.
- Insufficient supply line connections could result in short circuits which
 - Cause cable fires
 - Trigger the airbags
 - Damage electronic control devices
 - Cause electric functions to fail (indicators, brake light, horn, ignition, lights)

- When working on the following lines, only use insulated cable lugs, plugs and tab sleeves:
 - 30 (direct supply from positive battery terminal)
 - 15 (connected positive terminal, behind the battery)
 - 31 (return line from the battery, earth)
 - 58 (reversing light)

Do **not** use porcelain wire connectors.

- Use a crimping tool (fig. **1** 10, page 2) to connect the cables.
- When connecting to supply line 31 (earth), screw the cable
 - To the vehicle's earth bolt with a cable lug and a gear disc or
 - To the sheet metal body work with a cable lug and a self-tapping screw.

Ensure that there is a good earth connection.

When the negative terminal of the battery is disconnected, all data stored in the volatile memories will be lost.

- The following data must be set again, depending on the vehicle equipment options:
 - Radio code
 - Vehicle clock
 - Timer
 - On-board computer
 - Seat position

You can find instructions for making these settings in the appropriate operating instructions.

Observe the following installation instructions:

- Secure the parts of the camera installed in the vehicle in such a way that they cannot become loose under any circumstances (sudden braking, accidents) and cause **injuries to the occupants** of the vehicle.
- Secure any parts of the system covered by the bodywork in such a manner that they cannot become loose or damage other parts and cables and impair vehicle functions (steering, pedals, etc.).
- To prevent damage, when drilling ensure that there is sufficient room for the drill head to come out on the other side (fig. **2**, page 3).
- Deburr all drill holes and treat them with a rust-protection agent.
- Always follow the safety instructions of the vehicle manufacturer.
Some work (e.g. on retention systems such as the AIRBAG etc.) may only be performed by qualified specialists.

Observe the following instructions when working with electrical parts:

- When testing the voltage in electrical cables, only use a diode test lamp (fig. **1** 8, page 2) or a voltmeter (fig. **1** 9, page 2).
Test lamps with an illuminant (fig. **1** 12, page 2) take up voltages which are too high and which can damage the vehicle's electronic system.
- When making electrical connections, ensure that
 - They are not kinked or twisted
 - They do not rub on edges
 - They are not laid in sharp edged ducts without protection (see fig. **3**, page 3)
- Insulate all connections.
- Secure the cables against mechanical wear with cable binders or insulating tape, for example to existing cables.

The camera is watertight. However, the sealings on the camera cannot withstand a high-pressure cleaner (fig. **4**, page 3). Therefore, you should observe the following instructions when handling the camera:

- People (including children) whose physical, sensory or mental capacities or whose lack of experience or knowledge prevent them from using this product safely should not use it without the supervision or instruction of a responsible person.
- Do not open the camera, as this impairs the sealing and the function of the camera (fig. **5**, page 3).
- Do not pull at the cables, as this impairs the sealing and the function of the camera (fig. **6**, page 3).
- The camera is not suitable for submerged operation (fig. **7**, page 3).

3 Scope of delivery

No. in fig. 3, page 4	Quantity	Description	Reference no.
1	1	Colour camera CAM55 Colour camera CAM55W	9600000555 9600000556
2	1	Camera bracket	
3	2	Side covers	
4	1	Extension cable	9600000208

4 Accessories

Available as accessory (not included in scope of delivery):

Description	Reference no.
Extension cable 5 m	9600000206
Extension cable 10 m	9600000207
Extension cable 20 m	9600000208
Spiral cable for trailer operation SPK170	9600000235

5 Intended use

The CMOS CAM55 (ref. no. 9600000555) and CAM55W (ref. no. 9600000556) colour cameras are primarily intended for use in vehicles. They can be used in video systems to observe the space around the vehicle from the driver's seat when manoeuvring or parking, for example.



WARNING!

Risk of injury!

Since rear view systems are designed merely as an additional aid for reversing, it does **not relieve you of the duty to take proper care when reversing.**

6 Technical description

The camera with integrated microphone, which is encased in aluminium housing, transmits image and sound to a monitor via a cable. The built-in infrared LEDs improve night vision.

The camera transmits the image as if you are looking in the rear mirror.

The camera consists of the following main elements:

No. in fig. 9, page 4	Description
1	6-pin connection cable
2	Infrared LEDs
3	Microphone

7 Notes on the electrical connections

7.1 Laying cables



NOTICE! Risk of damage!

- To prevent damage, when drilling ensure that there is sufficient space on the other side for the drill head to come out.
- Cables and connections which are not properly installed will cause malfunctions or damage to components. Correct installation of cables and connections is the basic prerequisite for lasting and trouble-free operation of the retrofitted components.
- The cables may not be exposed for long periods to solvents such as benzine, as the solvents can damage the cable.

Please observe the following instructions:

- As far as possible, use original openings or alternative openings for the connecting cable duct, e.g. the paneling edges, ventilation grilles or blank panels. If no openings are available, you must drill holes for the cables. Check beforehand that there is sufficient room for the drill head to come out on the other side.

- Wherever possible lay cables inside the vehicle, as they are better protected inside than outside the vehicle.
If you do need to lay a cable outside the vehicle, ensure that it is well secured (use additional cable ties, insulating tape, etc.).
- To prevent damage to the cables, when laying them ensure that there is sufficient distance to hot or moving vehicle components (exhaust pipes, drive shafts, light systems, fans, heater etc.). Use corrugated piping or other protective materials to protect against mechanical wear.
- Screw on the plug connections of the connecting cables to protect against water penetration (fig. **17**, page 6).
- When laying electric connections, ensure that
 - They are not kinked or twisted
 - They do not rub on edges
 - They are not laid in sharp edged ducts without protection (fig. **3**, page 3)
- Attach the cables securely in the vehicles to prevent tripping hazards. Use cable binders, insulating tape or glue the cables in place.
- Protect every through-hole made in the bodywork against water penetration, e.g. by using a cable with a sealant and by spraying the cable and the cable sleeve with sealant.

**NOTE**

Do not start sealing the through-holes until all installation work has been finished for the camera, and the required cable lengths have been established.

8 Mounting the camera

8.1 Tools required

For **installation and assembly** you will require the following tools:

- Drill bit set (fig. **1** 1, page 2)
- Drill (fig. **1** 2, page 2)
- Screwdriver (fig. **1** 3, page 2)
- Set of ring or open-ended spanners (fig. **1** 4, page 2)
- Measuring ruler (fig. **1** 5, page 2)
- Hammer (fig. **1** 6, page 2)
- Centre punch (fig. **1** 7, page 2)

To make and test the **electrical connection**, the following tools are required:

- Diode test lamp (fig. **1** 8, page 2) or voltmeter (fig. **1** 9, page 2)
- Insulating tape (fig. **1** 11, page 2)
- Cable bushing sleeves, if necessary

To **fasten the cables** you may require additional cable binders.

8.2 Mounting the camera



CAUTION!

Select a location for the camera and attach it so securely that it cannot under any circumstances fall off and injure bystanders (e.g. by being knocked off by branches brushing over the roof of the vehicle).



NOTE

If installing the camera alters the vehicle height or length specified in the vehicle documents, your vehicle must be inspected by the appropriate authorities.

Make sure that you are in possession of documents verifying that your vehicle has passed this inspection.

Observe the following installation instructions:

- To provide a suitable viewing angle, the camera must be attached at a height of at least 2 m.
Ensure that you have a firm place from which to work when mounting the camera.
- Ensure that the installation location of the camera is sufficiently firm (e.g. to prevent the camera from being knocked down by branches that may brush over the roof of the vehicle).
- Mount the camera bracket horizontally and in the middle of the rear of the vehicle (fig. **10**, page 5).
- The most secure type of attachment is with screws fitted through the body. Please observe the following instructions:
 - There must be sufficient space for the mounting procedure behind the chosen installation location.
 - Suitable measures must be taken to prevent water penetrating through any holes made (e.g. by using screws and sealant and/or spraying the outer attachment parts with a sealant).
 - The location on the body where you wish to attach the camera must be rigid enough to allow the camera to be tightly fastened.
- Check beforehand that there is sufficient room for the drill head to come out on the other side (fig. **2**, page 3).
- If you are not sure about the location you have chosen, consult the vehicle manufacturer or dealer.

**NOTE**

We recommend greasing the threads of the bolts to prevent corrosion.

When mounting the camera, proceed as follows:

- Hold the camera on the chosen location and mark at least two different points for the drill holes (fig. **11**, page 5).
- Using a hammer and centre punch, gently pre-punch the previously marked points to prevent the drill head from slipping off.

**If you want to screw on the camera with self-tapping screws
(fig. 12, page 5)****NOTICE! Risk of damage!**

The holder may only be attached to steel panels with a minimum thickness of 1.5 mm using self-tapping screws.

- Drill \varnothing 2 mm holes at the points you have just marked.
- Deburr all drill holes and apply rust-protection.
- Screw on the camera bracket using 4 x 10 mm self-tapping screws.

If you would like to attach the camera with threaded screws fitted through the construction (fig. 13, page 5)**NOTICE! Risk of damage!**

Ensure that that nuts cannot be pulled through the body shell when they are tightened.
Use larger washers or metal plates if necessary.

- Drill \varnothing 6.5 mm holes at the points you have just marked.
- Deburr all drill holes and apply rust-protection.
- Screw on the camera bracket using M6 x 20 mm threaded screws.
Depending on the thickness of the construction, you may require longer threaded screws.

**Creating a through-hole for the camera connection cable
(fig. 14, page 5)****NOTE**

If possible, use available openings – such as ventilation grilles – to feed the connection cables through. If there are no existing openings, you must drill a hole with a 16 mm diameter.

**NOTICE! Risk of damage!**

Ensure that there is sufficient space on the other side for the drill head to come out

- Drill a hole of \varnothing 16 mm near the camera.

- ▶ Deburr all drill holes that have been made in the sheet metal and apply rust-protection.
- ▶ Place cable sleeves in all sharp edged ducts.

Mounting the camera



NOTICE! Risk of damage!

Only use the screws supplied to mount the camera in the camera bracket. Longer screws will damage the camera.

- ▶ Push the camera into the camera bracket.
- ▶ Secure the camera **loosely** in the holes at the side (fig. **15**, page 5) by using the two M4 x 6 mm screws.
- ▶ Align the camera provisorily so that the lens is at an angle of approx. 50° to the perpendicular axis of the vehicle (fig. **16**, page 6).

Connecting the camera



NOTE

- Lay the camera cable so that should you need to remove the camera, you can access the plug connection between the camera and the extension cable easily. This considerably eases dismantling work.
- To minimise corrosion in the plug, apply a small amount of grease – such as pin grease – inside the plug.
- Additional extension cables are available on request (see chapter “Accessories” on page 12).

- ▶ Guide the camera cable into the vehicle interior.
- ▶ Insert the plug of the camera cable into the socket of the extension cable.
- ▶ Screw on the plug connections of the connecting cables to protect against water penetration (fig. **17**, page 6).

Aligning the camera



NOTE

If necessary before aligning the camera connect the camera to a monitor and to a power supply (see connecting diagram, fig. **18**, page 6)

- Use the monitor image to align the camera:
The monitor image should show the bottom edge of the rear or the bumper of your vehicle (**A**). The middle of the bumper should be in the middle of the screen. (fig. **19**, page 6).
- Check the function of the camera after you have connected it to a monitor.

Fastening the camera

- Tighten the two fastening screws in the holes at the side camera holder.
- Click the side covers into the openings at the side provided for this purpose (fig. **20**, page 7) and fasten them in place by turning them.
- To remove the side covers, insert two blunt and flat objects into the openings on the covers provided for this purpose, and turn them.

9 Cleaning and caring for the camera



NOTICE! Risk of damage!

Do not use sharp or hard objects to clean the device as these may damage the device.

- Clean the camera with a soft, damp cloth from time to time.

10 Guarantee

The statutory warranty period applies. If the product is defective, please contact the manufacturer's branch in your country (see the back of the instruction manual for the addresses) or your retailer.

For repair and guarantee processing, please send the following items:

- Defect components
- A copy of the receipt with purchasing date
- A reason for the claim or description of the fault

11 Disposal

- Place the packaging material in the appropriate recycling waste bins wherever possible.



If you wish to finally dispose of the product, ask your local recycling centre or specialist dealer for details about how to do this in accordance with the applicable disposal regulations.

12 Technical data

	PerfectView CAM55	PerfectView CAM55W
Ref. no.:	9600000555	9600000556
Image sensor:	1/4" CMOS	
Pixels:	640 (H) x 480 (V)	
Video standard:	PAL, 1 Vpp	
Light sensitivity:	< 1 Lux / 0 Lux with infrared LEDs	
Picture angle:	approx. 120° diagonal approx. 100° horizontal approx. 70° vertical	
Operating voltage:	10 – 32 V $\overline{=}$	
Power consumption:	max. 1.8 W	
Operating temperature:	–30 °C to +70 °C	
Protection class:	IP69K	
Resistance against vibration:	10 g	
Dimensions W x H x D (with camera bracket):	80 x 50 x 62 mm	
Weight:	approx. 165 g	

Approval

The device has the E13 approval.



Bitte lesen Sie diese Anleitung vor Einbau und Inbetriebnahme sorgfältig durch und bewahren Sie sie auf. Geben Sie sie im Falle einer Weitergabe des Produktes an den Nutzer weiter.

Inhaltsverzeichnis

1	Erklärung der Symbole	22
2	Sicherheits- und Einbauhinweise	22
3	Lieferumfang	25
4	Zubehör	25
5	Bestimmungsgemäßer Gebrauch	25
6	Technische Beschreibung	26
7	Hinweise zum elektrischen Anschluss	26
8	Kamera montieren	28
9	Kamera pflegen und reinigen	32
10	Gewährleistung	32
11	Entsorgung	33
12	Technische Daten	33

1 Erklärung der Symbole

**WARNUNG!**

Sicherheitshinweis: Nichtbeachtung kann zu Tod oder schwerer Verletzung führen.

**VORSICHT!**

Sicherheitshinweis: Nichtbeachtung kann zu Verletzungen führen.

**ACHTUNG!**

Nichtbeachtung kann zu Materialschäden führen und die Funktion des Produktes beeinträchtigen.

**HINWEIS**

Ergänzende Informationen zur Bedienung des Produktes.

2 Sicherheits- und Einbauhinweise

Beachten Sie die vom Fahrzeughersteller und vom Kfz-Handwerk vorgeschriebenen Sicherheitshinweise und Auflagen!

Der Hersteller übernimmt in folgenden Fällen keine Haftung für Schäden:

- Montage- oder Anschlussfehler
- Beschädigungen am Produkt durch mechanische Einflüsse und Überspannungen
- Veränderungen am Produkt ohne ausdrückliche Genehmigung vom Hersteller
- Verwendung für andere als die in der Anleitung beschriebenen Zwecke

Beachten Sie folgende Hinweise:

- Klemmen Sie wegen der Kurzschlussgefahr vor Arbeiten an der Fahrzeugelektrik immer den Minuspol ab.
Bei Fahrzeugen mit Zusatzbatterie müssen Sie an dieser ebenfalls den Minuspol abklemmen.

- Unzureichende Leitungsverbindungen können zur Folge haben, dass durch Kurzschluss
 - Kabelbrände entstehen,
 - der Airbag ausgelöst wird,
 - elektronische Steuerungseinrichtungen beschädigt werden,
 - elektrische Funktionen ausfallen (Blinker, Bremslicht, Hupe, Zündung, Licht).
- Verwenden Sie bei Arbeiten an den folgenden Leitungen nur isolierte Kabelschuhe, Stecker und Flachsteckhülsen:
 - 30 (Eingang von Batterie Plus direkt),
 - 15 (Geschaltetes Plus, hinter Batterie),
 - 31 (Rückleitung ab Batterie, Masse),
 - 58 (Rückfahrcheinwerfer).

Verwenden Sie **keine** Lüsterklemmen.

- Verwenden Sie eine Krimpzange (Abb. **1** 10, Seite 2) zum Verbinden der Kabel.
- Schrauben Sie das Kabel bei Anschlüssen an Leitung 31 (Masse)
 - mit Kabelschuh und Zahnscheibe an eine fahrzeugeigene Masseschraube oder
 - mit Kabelschuh und Blechschraube an das Karosserieblech.

Achten Sie auf eine gute Masseübertragung!

Beim Abklemmen des Minuspols der Batterie verlieren alle flüchtigen Speicher der Komfortelektronik ihre gespeicherten Daten.

- Folgende Daten müssen Sie je nach Fahrzeugausstattung neu einstellen:
 - Radiocode
 - Fahrzeuguhr
 - Zeitschaltuhr
 - Bordcomputer
 - Sitzposition

Hinweise zur Einstellung finden Sie in der jeweiligen Bedienungsanleitung.

Beachten Sie folgende Hinweise bei der Montage:

- Befestigen Sie die im Fahrzeug montierten Teile der Kamera so, dass sie sich unter keinen Umständen (scharfes Abbremsen, Verkehrsunfall) lösen und zu **Verletzungen der Fahrzeuginsassen** führen können.
- Befestigen Sie verdeckt unter Verkleidungen anzubringende Teile des Systems so, dass sie sich nicht lösen oder andere Teile und Leitungen beschädigen und keine Fahrzeugfunktionen (Lenkung, Pedale usw.) beeinträchtigen können.

- Achten Sie beim Bohren auf ausreichenden Freiraum für den Bohreraustritt, um Schäden zu vermeiden (Abb. **2**, Seite 3).
- Entgraten Sie jede Bohrung und behandeln Sie diese mit Rostschutzmittel.
- Beachten Sie immer die Sicherheitshinweise des Fahrzeugherstellers. Einige Arbeiten (z. B. an Rückhaltesystemen wie AIRBAG usw.) dürfen nur von geschultem Fachpersonal durchgeführt werden.

Beachten Sie folgende Hinweise bei der Arbeit an elektrischen Teilen:

- Benutzen Sie zum Prüfen der Spannung in elektrischen Leitungen nur eine Diodenprüflampe (Abb. **1** 8, Seite 2) oder ein Voltmeter (Abb. **1** 9, Seite 2). Prüflampen mit einem Leuchtkörper (Abb. **1** 12, Seite 2) nehmen zu hohe Ströme auf, wodurch die Fahrzeugelektronik beschädigt werden kann.
- Beachten Sie beim Verlegen der elektrischen Anschlüsse, dass diese
 - nicht geknickt oder verdreht werden,
 - nicht an Kanten scheuern,
 - nicht ohne Schutz durch scharfkantige Durchführungen verlegt werden (Abb. **3**, Seite 3).
- Isolieren Sie alle Verbindungen und Anschlüsse.
- Sichern Sie die Kabel gegen mechanische Beanspruchung durch Kabelbinder oder Isolierband, z. B. an vorhandenen Leitungen.

Die Kamera ist wasserdicht. Die Dichtungen der Kamera halten aber nicht einem Hochdruckreiniger stand (Abb. **4**, Seite 3). Beachten Sie deshalb folgende Hinweise zum Umgang mit der Kamera:

- Personen (einschließlich Kinder), die aufgrund ihrer physischen, sensorischen oder geistigen Fähigkeiten oder ihrer Unerfahrenheit oder Unkenntnis nicht in der Lage sind, das Produkt sicher zu benutzen, sollten dieses Produkt nicht ohne Aufsicht oder Anweisung durch eine verantwortliche Person nutzen.
- Öffnen Sie die Kamera nicht, da dieses ihre Dichtigkeit und die Funktionsfähigkeit beeinträchtigt (Abb. **5**, Seite 3).
- Ziehen Sie nicht an den Kabeln, da dieses die Dichtigkeit und die Funktionsfähigkeit der Kamera beeinträchtigt (Abb. **6**, Seite 3).
- Die Kamera ist nicht für den Betrieb unter Wasser geeignet (Abb. **7**, Seite 3).

3 Lieferumfang

Nr. in Abb. 8 , Seite 4	Menge	Bezeichnung	Artikel-Nr.
1	1	Farbkamera CAM55	9600000555
		Farbkamera CAM55W	9600000556
2	1	Kamerahalter	
3	2	Seitenabdeckungen	
4	1	Verlängerungskabel	9600000208

4 Zubehör

Als Zubehör erhältlich (nicht im Lieferumfang enthalten):

Bezeichnung	Artikel-Nr.
Verlängerungskabel 5 m	9600000206
Verlängerungskabel 10 m	9600000207
Verlängerungskabel 20 m	9600000208
Spiralkabel für Anhängerbetrieb SPK170	9600000235

5 Bestimmungsgemäßer Gebrauch

Die CMOS Farbkameras CAM55 (Art.-Nr. 9600000555) und and CAM55W (Art.-Nr. 9600000556) sind vorrangig für den Einsatz in Fahrzeugen gedacht. Sie sind einsetzbar in Videosystemen, die zur Beobachtung des Bereiches um das Fahrzeug vom Fahrersitz aus dienen, z. B. beim Rangieren oder Einparken.



WARNUNG!

Gefahr von Personenschäden durch das Fahrzeug. Rückfahrvideosysteme stellen eine Unterstützung beim Rückwärtsfahren dar, sie entbinden Sie jedoch **nicht** von **der besonderen Vorsichtspflicht beim Rückwärtsfahren**.

6 Technische Beschreibung

Die Kamera mit integriertem Mikrofon ist in einem Aluminiumgehäuse untergebracht und überträgt Bild und Ton über ein Kabel zu einem Monitor. Durch die Infrarot-LEDs wird die Nachtsicht verbessert.

Die Kamera übermittelt das Bild, als ob Sie in den Rückspiegel blicken.

Die Kamera besteht aus u. a. folgenden Elementen:

Nr. in Abb. 9 , Seite 4	Bezeichnung
1	6-poliges Anschlusskabel
2	Infrarot-LEDs
3	Mikrofon

7 Hinweise zum elektrischen Anschluss

7.1 Kabel verlegen



ACHTUNG! Beschädigungsgefahr!

- Wenn Sie Löcher bohren, prüfen Sie vorher, ob ausreichender Freiraum für den Bohreraustritt vorhanden ist.
- Nicht fachgerechte Kabelverlegungen und Kabelverbindungen führen immer wieder zu Fehlfunktionen oder Beschädigungen von Bauteilen. Eine korrekte Kabelverlegung bzw. Kabelverbindung ist die Grundvoraussetzung für eine dauerhafte und fehlerfreie Funktion der nachgerüsteten Komponenten.
- Die Kabel dürfen nicht über längere Zeit mit Lösungsmitteln wie z. B. Benzin in Berührung kommen, da Lösungsmittel die Kabel beschädigen würden.

Beachten Sie deshalb folgende Hinweise:

- Verwenden Sie für die Durchführung der Anschlusskabel nach Möglichkeit Originaldurchführungen oder andere Durchführungsmöglichkeiten, z. B. Verkleidungskanten, Lüftungsgitter oder Blindschalter. Wenn keine Durchführungen vorhanden sind, müssen Sie für die jeweiligen Kabel entsprechende Löcher bohren. Schauen Sie vorher nach, ob ausreichender Freiraum für den Bohreraustritt vorhanden ist.

- Verlegen Sie die Kabel nach Möglichkeit immer im Fahrzeuginneren, denn dort sind sie besser geschützt als außen am Fahrzeug.
Wenn Sie die Kabel trotzdem außerhalb des Fahrzeuges verlegen, achten Sie auf eine sichere Befestigung (durch zusätzliche Kabelbinder, Isolierband usw.).
- Um Beschädigungen am Kabel zu vermeiden, halten Sie beim Verlegen der Kabel immer ausreichend Abstand zu heißen und sich bewegenden Fahrzeugteilen (Auspuffrohre, Antriebswellen, Lichtmaschine, Lüfter, Heizung usw.). Verwenden Sie zum mechanischen Schutz Wellrohr oder ähnliche Schutzmaterialien.
- Verschrauben Sie die Steckverbindungen der Verbindungskabel zum Schutz gegen das Eindringen von Wasser (Abb. **17**, Seite 6).
- Beachten Sie beim Verlegen der Kabel, dass diese
 - nicht stark geknickt oder verdreht werden,
 - nicht an Kanten scheuern,
 - nicht ohne Schutz durch scharfkantige Durchführungen verlegt werden (Abb. **3**, Seite 3).
- Befestigen Sie die Kabel sicher im Fahrzeug, um ein Verfangen (Sturzgefahr) zu vermeiden. Dieses kann erfolgen durch den Einsatz von Kabelbindern, Isolierband oder durch Ankleben mit Klebstoff.
- Schützen Sie jeden Durchbruch an der Außenhaut durch geeignete Maßnahmen gegen Wassereintritt, z. B. durch Einsetzen des Kabels mit Dichtungsmasse und durch Abspritzen des Kabels und der Durchführungstülle mit Dichtungsmasse.

**HINWEIS**

Beginnen Sie mit dem Abdichten der Durchbrüche erst, nachdem alle Einstellarbeiten an der Kamera abgeschlossen sind und die benötigten Längen der Anschlusskabel festliegen.

8 Kamera montieren

8.1 Benötigtes Werkzeug

Für **Einbau und Montage** benötigen Sie folgende Werkzeuge:

- Satz Bohrer (Abb. **1** 1, Seite 2)
- Bohrmaschine (Abb. **1** 2, Seite 2)
- Schraubendreher (Abb. **1** 3, Seite 2)
- Satz Ring- oder Maulschlüssel (Abb. **1** 4, Seite 2)
- Maßstab (Abb. **1** 5, Seite 2)
- Hammer (Abb. **1** 6, Seite 2)
- Körner (Abb. **1** 7, Seite 2)

Für den **elektrischen Anschluss** und seine Überprüfung benötigen Sie folgende Hilfsmittel:

- Diodenprüflampe (Abb. **1** 8, Seite 2) oder Voltmeter (Abb. **1** 9, Seite 2)
- Isolierband (Abb. **1** 11, Seite 2)
- Ggf. Kabeldurchführungstüllen

Zur **Befestigung der Kabel** benötigen Sie ggf. noch weitere Kabelbinder.

8.2 Kamera montieren



VORSICHT!

Wählen Sie den Platz der Kamera so und befestigen Sie diese so sicher, dass unter keinen Umständen in der Nähe stehende Personen verletzt werden können, z. B. weil über das Fahrzeugdach streifende Äste die Kamera abreißen.



HINWEIS

Wenn durch den Anbau der Kamera die in den Fahrzeugpapieren eingetragene Fahrzeughöhe oder Fahrzeuglänge verändert wird, muss eine neue Abnahme durch die zuständigen Stellen (TÜV, DEKRA usw.) erfolgen.

Lassen Sie die neue Abnahme durch Ihr zuständiges Straßenverkehrsamt in die Fahrzeugpapiere eintragen.

Beachten Sie folgende Hinweise bei der Montage:

- Bringen Sie die Kamera für einen vernünftigen Blickwinkel in mindestens zwei Metern Höhe an.
Achten Sie bei der Montage auf einen ausreichend standfesten Arbeitsplatz.
- Achten Sie darauf, dass der Montageort der Kamera ausreichende Festigkeit bietet (z. B. können sich über das Fahrzeugdach streifende Äste in der Kamera verfangen).
- Montieren Sie den Kamerahalter waagrecht und mittig am Heck des Fahrzeuges (Abb. **10**, Seite 5).
- Die sicherste Art der Befestigung sind Schrauben, die durch den Aufbau gehen. Beachten Sie dabei folgende Hinweise:
 - Hinter der gewählten Montageposition muss ausreichend Freiraum für die Montage vorhanden sein.
 - Jeder Durchbruch muss durch geeignete Maßnahmen gegen Wassereintritt geschützt werden (z. B. durch Einsetzen der Schrauben mit Dichtungsmasse und/oder Abspritzen der äußeren Befestigungsteile mit Dichtungsmasse).
 - Der Aufbau an der Befestigungsstelle muss genügend Festigkeit bieten, damit sich der Kamerahalter genügend fest anziehen lässt.
- Kontrollieren Sie vorher, ob ausreichender Freiraum für den Bohreraustritt vorhanden ist (Abb. **2**, Seite 3).
- Wenn Sie sich nicht sicher über den von Ihnen gewählten Montageort sind, erkundigen Sie sich beim Aufbauhersteller oder dessen Vertretung.



HINWEIS

Um die Korrosion der Schrauben zu minimieren, fetten Sie die Gewinde ein.

Gehen Sie bei der Montage wie folgt vor:

- Halten Sie den Kamerahalter an den gewählten Montageort und markieren Sie mindestens zwei verschiedene Bohrpunkte (Abb. **11**, Seite 5).
- Können Sie an den zuvor angezeichneten Punkten mit Hammer und Körner vor, um ein Verlaufen des Bohrers zu verhindern.

Wenn Sie die Kamera mit Blechschrauben anschrauben möchten (Abb. 12, Seite 5)**ACHTUNG! Beschädigungsgefahr!**

Die Befestigung mit Blechschrauben darf nur in Stahlblechen mit einer Mindestdicke von 1,5 mm erfolgen.

- ▶ Bohren Sie an den zuvor angezeichneten Punkten jeweils ein Loch von \varnothing 3 mm.
- ▶ Entgraten Sie alle Bohrlöcher und versehen Sie sie mit Rostschutz.
- ▶ Schrauben Sie den Kamerahalter mit Blechschrauben der Größe 4 x 10 mm an.

Wenn Sie die Kamera mit Gewindeschrauben durch den Aufbau befestigen möchten (Abb. 13, Seite 5)**ACHTUNG! Beschädigungsgefahr!**

Achten Sie darauf, dass sich die Muttern beim Anziehen nicht durch den Aufbau ziehen können.
Verwenden Sie ggf. größere Unterlegscheiben oder Blechplatten.

- ▶ Bohren Sie an den zuvor angezeichneten Punkten jeweils ein Loch von \varnothing 6,5 mm.
- ▶ Entgraten Sie alle Bohrlöcher und versehen Sie sie mit Rostschutz.
- ▶ Schrauben Sie den Kamerahalter mit den Gewindeschrauben M6 x 20 mm an. Je nach Aufbaustärke benötigen Sie längere Gewindeschrauben.

Durchbruch für das Anschlusskabel der Kamera anfertigen (Abb. 14, Seite 5)**HINWEIS**

Verwenden Sie für die Durchführung der Anschlusskabel nach Möglichkeit vorhandene Durchführungsmöglichkeiten, z. B. Lüftungsgitter.
Wenn keine Durchführungen vorhanden sind, müssen Sie ein Loch von \varnothing 16 mm bohren.

**ACHTUNG! Beschädigungsgefahr!**

Kontrollieren Sie vorher, ob ausreichender Freiraum für den Bohrer-austritt vorhanden ist.

- ▶ Bohren Sie in der Nähe der Kamera ein Loch von \varnothing 16 mm.

- ▶ Entgraten Sie alle Bohrlöcher, die im Blech gefertigt sind, und versehen Sie sie mit Rostschutz.
- ▶ Versehen Sie alle scharfkantigen Durchführungen mit einer Durchführungsstülle.

Kamera montieren



ACHTUNG! Beschädigungsgefahr!

Verwenden Sie zur Montage der Kamera nur die mitgelieferten Schrauben. Längere Schrauben beschädigen die Kamera.

- ▶ Schieben Sie die Kamera in den Kamerahalter ein.
- ▶ Befestigen Sie die Kamera **lose** mit den zwei Schrauben M4 x 6 mm in den seitlichen Löchern (Abb. **15**, Seite 5).
- ▶ Richten Sie die Kamera provisorisch so aus, dass das Objektiv einen Winkel von ca. 50° zur senkrechten Achse des Fahrzeugs bildet (Abb. **16**, Seite 6).

Kamera elektrisch anschließen



HINWEIS

- Verlegen Sie das Kamerakabel so, dass Sie bei einem eventuell notwendigen Ausbau der Kamera leicht an die Steckerverbindung zwischen Kamera und Verlängerungskabel kommen. Die Demontage wird dadurch erheblich vereinfacht.
- Um Korrosion im Stecker zu minimieren, geben Sie etwas Fett, z. B. Polfett, in einen der Stecker.
- Bei Bedarf sind weitere Verlängerungskabel erhältlich (siehe Kapitel „Zubehör“ auf Seite 25).

- ▶ Führen Sie das Kamerakabel ins Fahrzeuginnere.
- ▶ Stecken Sie den Stecker des Kamerakabels in die Steckbuchse des Verlängerungskabels.
- ▶ Verschrauben Sie die Steckverbindung zum Schutz gegen das Eindringen von Wasser (Abb. **17**, Seite 6).

Kamera ausrichten



HINWEIS

Zum Ausrichten der Kamera müssen Sie ggf. erst noch einen Monitor montieren und elektrisch anschließen (siehe Prinzip-Anschlussplan Abb. **18**, Seite 6).

- Richten Sie die Kamera anhand des Monitorbildes aus:
Das Monitorbild sollte am unteren Bildrand das Heck bzw. die Stoßstange Ihres Fahrzeuges zeigen. Die Mitte der Stoßstange sollte auch in der Mitte des Monitorbildes sein (Abb. **19**, Seite 6).
- Prüfen Sie die Funktion der Kamera, nachdem Sie sie an einen Monitor angeschlossen haben.

Kamera befestigen

- Ziehen Sie die beiden Befestigungsschrauben in den seitlichen Löchern des Kamerahalters fest.
- Klicken Sie die Seitenabdeckungen in die dafür vorgesehenen seitlichen Öffnungen (Abb. **20**, Seite 7) und befestigen Sie diese mit einer Drehbewegung.
- Zum Entfernen der Seitenabdeckungen führen Sie zwei stumpfe, flache Gegenstände in die dafür vorgesehen Öffnungen an den Abdeckungen und drehen diese.

9 Kamera pflegen und reinigen



ACHTUNG! Beschädigungsgefahr!

Keine scharfen oder harten Mittel zur Reinigung verwenden, da dies zu einer Beschädigung des Geräts führen kann.

- Reinigen Sie die Kamera gelegentlich mit einem weichen, feuchten Tuch.

10 Gewährleistung

Es gilt die gesetzliche Gewährleistungsfrist. Sollte das Produkt defekt sein, wenden Sie sich bitte an die Niederlassung des Herstellers in Ihrem Land (Adressen siehe Rückseite der Anleitung) oder an Ihren Fachhändler.

Zur Reparatur- bzw. Gewährleistungsbearbeitung müssen Sie Folgendes einschicken:

- defekte Komponenten,
- eine Kopie der Rechnung mit Kaufdatum,
- einen Reklamationsgrund oder eine Fehlerbeschreibung.

11 Entsorgung

- Geben Sie das Verpackungsmaterial möglichst in den entsprechenden Recycling-Müll.



Wenn Sie das Produkt endgültig außer Betrieb nehmen, informieren Sie sich bitte beim nächsten Recyclingcenter oder bei Ihrem Fachhändler über die zutreffenden Entsorgungsvorschriften.

12 Technische Daten

	PerfectView CAM55	PerfectView CAM55W
Art.-Nr.:	9600000555	9600000556
Bildsensor:	1/4" CMOS	
Bildpunkte:	640 (H) x 480 (V)	
Videostandard:	PAL, 1 Vpp	
Empfindlichkeit:	< 1 Lux / 0 Lux mit Infrarot-LEDs	
Blickwinkel:	ca. 120° diagonal ca. 100° horizontal ca. 70° vertikal	
Betriebsspannung:	10 – 32 V $\overline{=}$	
Verbrauch:	max. 4,1 W	
Betriebstemperatur:	-30 °C bis +70 °C	
Schutzklasse:	IP69K	
Vibrationsfestigkeit:	10 g	
Abmessungen B x H x T (mit Halter):	80 x 50 x 62 mm	
Gewicht:	ca. 165 g	

Zulassungen

Das Gerät hat die E13-Zulassung.



Veillez lire attentivement cette notice avant le montage et la mise en service. Veillez ensuite la conserver. En cas de passer le produit, veuillez le transmettre au nouvel acquéreur.

Table des matières

1	Explication des symboles	35
2	Consignes de sécurité et instructions de montage	35
3	Pièces fournies	38
4	Accessoires	38
5	Usage conforme	38
6	Description technique	39
7	Remarques concernant le raccordement électrique	39
8	Montage de la caméra	41
9	Entretien et nettoyage de la caméra	45
10	Garantie	45
11	Retraitement	46
12	Caractéristiques techniques	46

1 Explication des symboles

**AVERTISSEMENT !**

Consigne de sécurité : le non-respect de ces consignes peut entraîner la mort ou de graves blessures.

**ATTENTION !**

Consigne de sécurité : le non-respect de ces consignes peut entraîner des blessures.

**AVIS !**

Le non-respect de ces consignes peut entraîner des dommages matériels et des dysfonctionnements du produit.

**REMARQUE**

Informations complémentaires sur l'utilisation du produit.

2 Consignes de sécurité et instructions de montage

Respectez les consignes de sécurité et autres prescriptions imposées par le fabricant du véhicule et par les professionnels de l'automobile !

Le fabricant décline toute responsabilité pour des dommages dans les cas suivants :

- des défauts de montage ou de raccordement
- des influences mécaniques et des surtensions ayant endommagé le matériel
- des modifications apportées au produit sans autorisation explicite de la part du fabricant
- une utilisation différente de celle décrite dans la notice

Veillez donc à respecter les consignes suivantes :

- Débranchez toujours la borne négative avant de procéder à des travaux sur les éléments électriques du véhicule afin d'éviter tout risque de court-circuit.
Sur les véhicules équipés d'une batterie supplémentaire, vous devez également débrancher le pôle négatif de cette dernière.

- Tout branchement électrique inadéquat peut entraîner un court-circuit causant
 - la combustion de câbles,
 - le déclenchement de l'airbag,
 - l'endommagement des dispositifs électroniques de commande,
 - la défaillance des fonctions électriques (clignotants, stops, klaxon, allumage, éclairage).
- Pour tous travaux sur les lignes électriques suivantes, n'utilisez que des cosses de câble, fiches et alvéoles pour contacts plats isolés :
 - 30 (entrée directe pôle positif de la batterie),
 - 15 (pôle positif connecté, derrière la batterie),
 - 31 (circuit de retour à partir de la batterie, masse),
 - 58 (feu de recul).

N'utilisez **pas** de dominos.

- Utilisez une pince à sertir (fig. **1** 10, page 2) pour relier les câbles.
- Pour les raccordements à la ligne électrique 31 (masse), vissez le câble
 - à une vis de masse du véhicule, avec une cosse de câble et une rondelle crantée, ou bien
 - à la carrosserie, avec une cosse de câble et une vis à tôle.

Assurez-vous que le transfert de masse se fait correctement !

Lorsque vous débranchez le pôle négatif de la batterie, les mémoires volatiles de l'électronique de confort perdent toutes les données enregistrées.

- Vous devez procéder à un nouveau réglage des données suivantes en fonction de l'équipement du véhicule :
 - code radio
 - horloge du véhicule
 - minuterie
 - ordinateur de bord
 - position du siège

Les instructions de réglage sont énoncées dans les manuels d'utilisation correspondants.

Veillez à respecter les consignes suivantes lors du montage :

- Fixez les pièces de la caméra installées dans le véhicule de manière à ce qu'elles ne puissent en aucun cas (freinage violent, accident) se détacher et **bless**er les **occupants** du véhicule.
- Fixez les pièces du système sous l'habillage de telle sorte qu'elles ne puissent pas se détacher, endommager d'autres pièces ou connexions, ni gêner le fonctionnement du véhicule (direction, pédales, etc.).

- Avant de percer des trous, assurez-vous que vous disposez d'un espace suffisant de l'autre côté du trou à percer, afin que la mèche n'occasionne aucun dégât (fig. **2**, page 3).
- Ebavurez tous les trous et protégez-les avec un enduit anticorrosif.
- Respectez toujours les consignes de sécurité du fabricant du véhicule. Certains travaux (p. ex. au niveau des systèmes de retenue, AIRBAG, etc.) doivent être effectués uniquement par un personnel spécialisé ayant reçu une formation correspondante.

Veillez à respecter les consignes suivantes lors de travaux sur des éléments électriques :

- Pour le contrôle de la tension des lignes électriques, n'utilisez qu'une lampe étalon à diode (fig. **1** 8, page 2) ou un voltmètre (fig. **1** 9, page 2). Les lampes étalon (fig. **1** 12, page 2) à corps lumineux absorbent des courants trop élevés qui pourraient endommager les composants électroniques du véhicule.
- Lors de l'installation des raccordements électriques, veillez à ce que ceux-ci
 - ne soient ni pliés, ni tordus,
 - ne frottent pas contre des arêtes,
 - ne soient pas placés dans des traversées à arêtes vives sans protection (fig. **3**, page 3).
- Isolez toutes les connexions et tous les raccords.
- Protégez les câbles contre toute contrainte mécanique en les fixant par exemple aux lignes existantes à l'aide de serre-fils ou de chatterton.

La caméra est étanche. Les joints de la caméra ne résistent cependant pas à un nettoyeur à haute pression (fig. **4**, page 3). Veillez donc à respecter les consignes suivantes en manipulant la caméra :

- Ne laissez pas des personnes (enfants compris) incapables d'utiliser le produit de manière sûre, en raison de déficiences physiques, sensorielles ou mentales ou de leur manque d'expérience ou de connaissances, utiliser ce produit sans surveillance.
- N'ouvrez jamais la caméra pour ne pas nuire à son étanchéité et à son fonctionnement (fig. **5**, page 3).
- Ne tirez jamais sur les câbles pour ne pas nuire à l'étanchéité et au fonctionnement de la caméra (fig. **6**, page 3).
- La caméra n'est pas conçue pour une utilisation sous-marine (fig. **7**, page 3) !

3 Pièces fournies

N° sur l'ill.fig. 8, page 4	Quantité	Désignation	N° d'article
1	1	Caméra couleur CAM55 Caméra couleur CAM55W	9600000555 9600000556
2	1	Support de caméra	
3	2	Couvercle latéral	
4	1	Câble de rallonge	9600000208

4 Accessoires

Disponible en accessoires (non compris dans la livraison) :

Désignation	N° d'article
Câble de rallonge 5 m	9600000206
Câble de rallonge 10 m	9600000207
Câble de rallonge 20 m	9600000208
Câble spiralé pour utilisation de remorque SPK170	9600000235

5 Usage conforme

Les caméras couleur CMOS CAM55 (n° de produit 9600000555) et CAM55W (n° de produit 9600000556) sont surtout conçues pour l'utilisation dans des véhicules. Elles peuvent être utilisées sur les systèmes vidéo qui permettent d'observer, depuis le siège du conducteur, la zone située autour du véhicule, p. ex. pour manœuvrer ou pour se garer.



AVERTISSEMENT !

Risque de dommages corporels causés par le véhicule.

Les systèmes vidéo de recul vous apportent une aide supplémentaire en marche arrière, mais ces appareils ne vous dégagent **pas** du **devoir de prudence qui vous incombe lorsque vous conduisez en marche arrière**.

6 Description technique

La caméra à micro incorporé est logée dans un boîtier en aluminium et transmet image et son à l'écran grâce à un câble. Les LED infrarouge améliorent la vue de nuit.

La caméra transmet l'image comme si vous regardiez dans le rétroviseur.

La caméra se compose entre autres des éléments suivants :

N° dans fig. 9, page 4	Désignation
1	Câble de raccordement à 6 pôles
2	LED infrarouge
3	Micro

7 Remarques concernant le raccordement électrique

7.1 Pose des câbles



AVIS ! Risque d'endommagement !

- Avant de percer des trous, vérifiez qu'il y a un espace suffisant de l'autre côté du trou pour le passage de la mèche.
- Toute erreur de pose ou de branchement des câbles entraîne presque toujours des perturbations et des détériorations des composants. Une pose et un branchement corrects des câbles sont indispensables au fonctionnement durable et fiable des composants que vous installez.
- Veillez à ce que les câbles ne soient pas en contact avec des solvants tels que l'essence pour une durée prolongée. Ces solvants endommageraient les câbles.

Veillez donc à respecter les consignes suivantes :

- Pour la pose des câbles de raccordement, utilisez si possible des passages existants ou d'autres possibilités de passage telles que les arêtes de garnitures, grilles d'aération ou interrupteurs aveugles. Si aucun passage n'est disponible, vous devrez percer des trous pour y faire passer les câbles. Vérifiez avant le perçage qu'il y a un espace suffisant pour la sortie de la mèche de l'autre côté du trou.

- Autant que possible, ne posez les câbles qu'à l'intérieur du véhicule. Ils y seront mieux protégés qu'à l'extérieur.
Si vous deviez malgré tout faire passer les câbles à l'extérieur du véhicule, veillez à ce qu'ils soient solidement fixés (en utilisant des serre-fils supplémentaires, du chatterton, etc.).
- Installez les câbles à une distance suffisante des éléments chauds et/ou mobiles du véhicule (tuyaux d'échappement, arbres de transmission, dynamo, ventilateurs, chauffage, etc.) qui pourraient les endommager. Pour assurer la protection mécanique des câbles, veuillez utiliser des tubes ondulés ou autres matériaux de protection.
- Vissez les raccords enfichables des câbles de raccordement afin de les protéger contre les infiltrations d'eau (fig. **17**, page 6).
- Lors de la pose des câbles, veillez à ce que ceux-ci
 - ne soient ni fortement pliés, ni tordus,
 - ne frottent pas contre des arêtes,
 - ne soient pas placés dans des traversées à arêtes vives sans protection (fig. **3**, page 3).
- Fixez soigneusement les câbles à l'intérieur du véhicule pour éviter que quelqu'un ne trébuché dessus (risque de chute). Pour cela, utilisez des serre-câbles, du ruban isolant ou fixez le câble avec de la colle.
- Veillez à protéger chaque trou percé dans la carrosserie en prenant des mesures appropriées contre toute infiltration d'eau, par exemple en appliquant du mastic sur le câble et sur le passe-câble.

**REMARQUE**

Les opérations d'étanchéification des trous pratiqués ne doivent être entreprises que lorsque tous les réglages de position de la caméra ont été effectués et que les longueurs nécessaires de câbles de raccordement ont été définies.

8 Montage de la caméra

8.1 Outils nécessaires

Pour la **mise en place et le montage**, vous devez disposer des outils suivants :

- Jeu de mèches (fig. **1** 1, page 2)
- Perceuse (fig. **1** 2, page 2)
- Tournevis (fig. **1** 3, page 2)
- Jeu de clés à œil ou de clés plates (fig. **1** 4, page 2)
- Mètre (fig. **1** 5, page 2)
- Marteau (fig. **1** 6, page 2)
- Pointeau (fig. **1** 7, page 2)

Pour le **raccordement électrique** et le contrôle de celui-ci, vous devez disposer du matériel suivant :

- Lampe étalon à diode (fig. **1** 8, page 2) ou voltmètre (fig. **1** 9, page 2)
- Ruban isolant (fig. **1** 11, page 2)
- Si nécessaire : passe-câbles

Pour la **fixation des câbles**, vous aurez éventuellement besoin de serre-fils supplémentaires.

8.2 Montage de la caméra



ATTENTION !

La caméra doit être placée et fixée de manière à ce qu'en aucun cas des personnes se trouvant à proximité ne puissent être blessées (pour éviter par exemple que des branches effleurant le toit du véhicule fassent tomber la caméra).



REMARQUE

Si le montage de la caméra entraîne une modification de la hauteur ou de la longueur du véhicule mentionnées sur les papiers du véhicule, le véhicule doit être recontrôlé et approuvé par les services compétents (centres de contrôle technique, etc.).

Faites inscrire sur les papiers du véhicule les modifications ainsi approuvées par les autorités compétentes.

Veillez à respecter les consignes suivantes lors du montage :

- La caméra doit être installée à une hauteur de 2 mètres minimum pour offrir un angle de vue suffisant.
Veillez à effectuer les travaux de montage dans un endroit stable.
- Veillez à ce que l'emplacement de la caméra lui garantisse une stabilité suffisante (au cas où, par exemple, des branches effleurant le toit resteraient accrochées à la caméra).
- Montez le support de la caméra en position horizontale et centrale à l'arrière du véhicule (fig. **10**, page 5).
- Pour assurer une sécurité maximale, il convient de fixer les éléments à l'aide de vis traversant la carrosserie. Lorsque vous procédez à la fixation, veuillez respecter les consignes suivantes :
 - Veillez à ce qu'un espace suffisant soit disponible de l'autre côté de l'emplacement choisi afin que vous puissiez procéder au montage.
 - N'oubliez pas, pour chaque trou percé, de prendre des mesures adéquates afin d'éviter toute infiltration d'eau (par exemple en appliquant du mastic sur chaque vis et/ou en recouvrant de mastic les pièces de fixation extérieures).
 - Il faut choisir pour la fixation un endroit suffisamment solide de la carrosserie afin de pouvoir bien visser le support de la caméra.
- Vérifiez avant le perçage que vous disposez d'un espace suffisant de l'autre côté du trou pour le passage de la mèche (fig. **2**, page 3).
- Si vous avez le moindre doute quant au choix de l'emplacement de montage, veuillez vous adresser au fabricant de la carrosserie ou à un concessionnaire agréé.

**REMARQUE**

Afin de minimiser la corrosion des vis, veuillez graisser leur filetage.

Procédez au montage de la façon suivante :

- Placez le support de la caméra sur l'emplacement de montage choisi et marquez l'emplacement d'au moins deux points de perçage (voir fig. **11**, page 5).
- A l'aide du marteau, donnez un léger coup de pointe sur les points préalablement marqués afin d'éviter tout décentrage de la mèche.

Si vous souhaitez fixer la caméra à l'aide de vis à tôle (fig. 12, page 5)**AVIS ! Risque d'endommagement !**

La fixation avec des vis à tôle n'est autorisée que sur les tôles en acier d'une épaisseur de 1,5 mm minimum.

- Percez sur chaque point préalablement tracé un trou de \varnothing 2 mm.
- Ebavurez tous les trous percés et protégez-les avec un enduit anticorrosif.
- Vissez le support de la caméra avec des vis à tôle de taille 4 x 10 mm.

Si vous souhaitez fixer la caméra à l'aide de vis filetées traversant la carrosserie (fig. 13, page 5)**AVIS ! Risque d'endommagement !**

Veillez à ce que les écrous ne risquent pas de passer à travers la carrosserie lorsque vous les serrez.

Utilisez si nécessaire des plaques de tôle ou des rondelles de grande taille.

- Percez sur chaque point préalablement tracé un trou de \varnothing 6,5 mm.
- Ebavurez tous les trous percés et protégez-les avec un enduit anticorrosif.
- Vissez le support de la caméra avec les vis filetées M6 x 20 mm.
Vous aurez éventuellement besoin de vis d'une longueur supérieure en fonction de l'épaisseur de la carrosserie.

Orifice destiné au câble de raccordement de la caméra (fig. 14, page 5)**REMARQUE**

Faites passer, dans la mesure du possible, les câbles de raccordement par des ouvertures déjà existantes (ex. : grille d'aération). Si aucun passage n'est disponible, vous devez percer un trou de \varnothing 16 mm.

**AVIS ! Risque d'endommagement !**

Vérifiez avant le perçage qu'il y a un espace suffisant de l'autre côté du trou pour le passage de la mèche.

- Percez à proximité de la caméra un trou de \varnothing 16 mm.

- Ebavurez tous les trous pratiqués dans la tôle et protégez-les avec un enduit anticorrosif.
- Placez un passe-câbles dans chaque passage présentant des arêtes vives.

Montage de la caméra



AVIS ! Risque d'endommagement !

Pour monter la caméra, veuillez utiliser uniquement les vis fournies. Des vis plus longues endommageraient la caméra.

- Placez la caméra dans le support.
- Fixez la caméra **sans serrer** à l'aide des deux vis M4 x 6 mm dans les orifices latéraux (fig. **15**, page 5).
- Orientez provisoirement la caméra de manière à ce que l'objectif forme un angle d'environ 50° par rapport à l'axe vertical du véhicule (fig. **16**, page 6).

Raccordement électrique de la caméra



REMARQUE

- Posez le câble de la caméra de telle manière que la connexion reliant la caméra au câble de rallonge soit facilement accessible au cas où un démontage de la caméra serait nécessaire. Cette précaution simplifie énormément le démontage.
- Pour minimiser le risque de corrosion de la connexion, lubrifiez légèrement l'un des connecteurs à l'aide d'une graisse spéciale.
- En cas de besoin, d'autres câbles de rallonge sont disponibles (voir chapitre « Accessoires », page 38).

- Placez le câble de la caméra à l'intérieur du véhicule.
- Enfoncez le connecteur du câble de la caméra dans la prise femelle du câble de rallonge.
- Vissez les raccords enfichables des câbles de raccordement afin de les protéger contre les infiltrations d'eau (fig. **17**, page 6).

Orientation de la caméra



REMARQUE

Pour orienter la caméra, vous devez d'abord monter et brancher, le cas échéant, un écran (voir schéma électrique de base fig. **18**, page 6).

- Orientez la caméra en fonction de l'image affichée par l'écran :
L'arrière ou le pare-chocs arrière de votre véhicule doit apparaître au bas de l'image. La partie centrale du pare-chocs doit apparaître au centre de l'écran (fig. **19**, page 6).
- Vérifiez le fonctionnement de la caméra après l'avoir raccordée à un écran.

Fixation de la caméra

- Serrez les deux vis de fixation dans les trous latéraux du support de la caméra.
- Encliquez les couvercles latéraux dans les orifices latéraux prévus à cet effet (fig. **20**, page 7) et fixez-les en les tournant.
- Pour retirer les couvercles latéraux, introduisez deux objets plats et non coupants dans les orifices prévus à cet effet dans les couvercles et tournez ceux-ci.

9 Entretien et nettoyage de la caméra



AVIS ! Risque d'endommagement !

N'utilisez aucun objet coupant ou dur pour le nettoyage. Ceci pourrait endommager les appareils.

- Nettoyez de temps en temps la caméra avec un tissu doux et humide.

10 Garantie

Le délai légal de garantie s'applique. Si le produit s'avérait défectueux, veuillez vous adresser à la filiale du fabricant située dans votre pays (voir adresses au verso du présent manuel) ou à votre revendeur spécialisé.

Pour toute réparation ou autre prestation de garantie, veuillez joindre à l'appareil les documents suivants :

- composants défectueux,
- une copie de la facture avec la date d'achat,
- le motif de la réclamation ou une description du dysfonctionnement.

11 Retraitement

- Jetez les emballages dans les conteneurs de déchets recyclables prévus à cet effet.



Lorsque vous mettez votre produit définitivement hors service, informez-vous auprès du centre de recyclage le plus proche ou auprès de votre revendeur spécialisé sur les prescriptions relatives au retraitement des déchets.

12 Caractéristiques techniques

	PerfectView CAM55	PerfectView CAM55W
Référence :	9600000555	9600000556
Capteur d'image :	1/4" CMOS	
Pixels :	640 (H) x 480 (V)	
Standard vidéo :	PAL, 1 Vpp	
Sensibilité :	< 1 lux / 0 lux avec LED infrarouge	
Angle de vue :	env. 120° en diagonale env. 100° à l'horizontale env. 70° à la verticale	
Tension de service :	10 – 32 V $\overline{=}$	
Consommation :	max. 4,1 W	
Température de fonctionnement :	–30 °C à +70 °C	
Type de protection :	IP69K	
Résistance aux vibrations :	10 g	
Dimensions L x h x p : (dans le support) :	80 x 50 x 62 mm	
Poids :	env. 165 g	

Certifications

Cet appareil possède la certification E13.



Lea detenidamente estas instrucciones antes de llevar a cabo la instalación y puesta en funcionamiento, y consérvelas en un lugar seguro. En caso de vender o entregar el producto a otra persona, entregue también estas instrucciones.

Índice

1	Aclaración de los símbolos	49
2	Indicaciones de seguridad y para la instalación	49
3	Volumen de entrega	52
4	Accesorios	52
5	Uso adecuado	52
6	Descripción técnica	53
7	Indicaciones relativas a la conexión eléctrica	53
8	Montaje de la cámara	55
9	Mantenimiento y limpieza de la cámara	59
10	Garantía legal	59
11	Gestión de residuos	60
12	Datos técnicos	60

1 Aclaración de los símbolos

**¡ADVERTENCIA!**

Indicación de seguridad: su incumplimiento puede acarrear la muerte o graves lesiones.

**¡ATENCIÓN!**

Indicación de seguridad: su incumplimiento puede acarrear lesiones.

**¡AVISO!**

Su incumplimiento puede acarrear daños materiales y perjudicar el correcto funcionamiento del producto.

**NOTA**

Información adicional para el manejo del producto.

2 Indicaciones de seguridad y para la instalación

¡Tenga en cuenta las indicaciones de seguridad y la documentación suministrada por el fabricante y el taller del vehículo!

El fabricante declina toda responsabilidad ante daños ocurridos en los siguientes casos:

- errores de montaje o de conexión
- daños en el producto debido a influencias mecánicas y sobretensiones
- modificaciones realizadas en el producto sin el expreso consentimiento del fabricante
- utilización del aparato para fines distintos a los descritos en las instrucciones

Por ello, observe las siguientes indicaciones:

- Debido al peligro de cortocircuito, antes de trabajar en el sistema eléctrico del vehículo desemborne siempre el polo negativo.
Desemborne también el polo negativo en aquellos vehículos con baterías de refuerzo.

- La realización de conexiones eléctricas incorrectas puede provocar que por un cortocircuito:
 - se incendien los cables,
 - se dispare el airbag,
 - resulten dañados los dispositivos electrónicos de control,
 - queden sin funcionamiento determinadas funciones eléctricas (intermitentes, luz de freno, claxon, encendido, luz).
- Al trabajar en las siguientes líneas, utilice sólo terminales de cable, conectores y manguitos de enchufe planos que estén provistos de aislamiento.
 - 30 (entrada del polo positivo de la batería directo),
 - 15 (polo positivo conectado, detrás de la batería),
 - 31 (línea de retorno desde la batería, masa),
 - 58 (luz de marcha atrás).

No utilice regletas.

- Utilice una crimpadora (fig. **1** 10, página 2) para conectar los cables.
- Para las conexiones, atornille el cable a la línea 31 (masa)
 - mediante un terminal de cable y una arandela dentada a un tornillo de puesta a masa del vehículo, o bien,
 - mediante un terminal de cable y un tornillo para chapa a la chapa de la carrocería.

Asegúrese de que se produzca una correcta transmisión de masa.

Tenga en cuenta que al desembornar el polo negativo de la batería se perderán todos los datos almacenados en las memorias volátiles de la electrónica de confort del vehículo.

- Dependiendo del tipo de vehículo, deberá volver a ajustar los siguientes datos:
 - Código de la radio
 - Reloj del vehículo
 - Reloj programador
 - Ordenador de a bordo
 - Posición del asiento

Las indicaciones para realizar los ajustes se encuentran en el manual de instrucciones correspondiente.

Tenga en cuenta las siguientes indicaciones durante el montaje:

- Fije firmemente las partes de la cámara montadas en el vehículo, a fin de que no se puedan soltar bajo ninguna circunstancia (frenados bruscos, accidentes) y ocasionen **heridas a los ocupantes del vehículo**.

- Fije ocultas bajo revestimientos las partes del sistema que se deban montar, de manera que no puedan soltarse o dañar otras piezas ni cables, y de manera que no puedan influir en las funciones del vehículo (dirección, pedales, etc.).
- Asegúrese de disponer de espacio suficiente para la salida de la broca al utilizar el taladro, para evitar que se produzcan daños (fig. **2**, página 3).
- Elimine las rebabas de las perforaciones y aplíqueles un anticorrosivo.
- Tenga en cuenta siempre las indicaciones de seguridad del fabricante del vehículo.
Determinados trabajos (p. ej. en los sistemas de retención como el AIRBAG, etc.) sólo los puede realizar personal especializado.

Tenga en cuenta las siguientes indicaciones al trabajar en los componentes eléctricos:

- Para comprobar la tensión en las líneas eléctricas utilice solamente un diodo de comprobación (fig. **1** 8, página 2) o un voltímetro (véase fig. **1** 9, página 2). Las lámparas de prueba con un elemento luminoso (fig. **1** 12, página 2) tienen un consumo de corriente demasiado elevado, por lo que puede dañarse el sistema electrónico del vehículo.
- Al establecer las conexiones eléctricas tenga en cuenta que éstas
 - no se doblen ni se tuerzan,
 - no rocen con aristas,
 - no se tiendan sin protección en canales de paso con aristas afiladas (fig. **3**, página 3).
- Aísle todos los empalmes y conexiones.
- Asegure los cables frente a tracciones mecánicas mediante abrazaderas para cables o cinta aislante, p. ej. fijándolos a las líneas existentes.

La cámara es impermeable al agua. Sin embargo, las juntas de la cámara no resisten los efectos de un limpiador de alta presión (fig. **4**, página 3). Por ello, tenga en cuenta también las siguientes indicaciones de uso para la cámara:

- Las personas (incluidos los niños) que, debido a sus capacidades físicas, sensoriales o mentales, a su falta de experiencia o a desconocimiento, no pueden utilizar el producto de forma segura, no tienen permitido utilizar este producto sin la vigilancia y las instrucciones de una persona sobre la que recaer tal responsabilidad.
- No abra la cámara, puesto que afectará a la estanqueidad y a la capacidad funcional de la cámara (fig. **5**, página 3).

- No tire de los cables, puesto que afectará a la estanqueidad y a la capacidad funcional de la cámara (fig. **6**, página 3).
- La cámara no se ha concebido para ser utilizada bajo agua (fig. **7**, página 3).

3 Volumen de entrega

Nº en fig. 8 , página 4	Cantidad	Descripción	Nº de artículo
1	1	Cámara a color CAM55 Cámara a color CAM55W	9600000555 9600000556
2	1	Soporte de la cámara	
3	2	Cubiertas laterales	
4	1	Cable alargador	9600000208

4 Accesorios

Disponible como accesorio (no incluido en el alcance del suministro):

Descripción	Nº de artículo
Cable alargador 5 m	9600000206
Cable alargador 10 m	9600000207
Cable alargador 20 m	9600000208
Cable en espiral para remolcar SPK170	9600000235

5 Uso adecuado

Las cámaras a color CMOS CAM55 (n.º de art. 9600000555) y CAM55W (n.º de art. 9600000556) están concebidas básicamente para su uso en vehículos.

Se pueden utilizar en sistemas de vídeo destinados a observar, desde el asiento del conductor, el área circundante al vehículo, p. ej., al maniobrar o al aparcar.



¡ADVERTENCIA!

Peligro de que se produzcan daños personales con el vehículo. Los sistemas de video para marcha atrás suponen una ayuda en las maniobras de marcha atrás, pero ello **no** excluye que se deban tomar **las precauciones necesarias durante la marcha atrás.**

6 Descripción técnica

La cámara con micrófono incorporado está situada dentro de una carcasa de aluminio y transmite la imagen y el sonido al monitor a través de un cable. La visibilidad nocturna mejora gracias a los LEDs infrarrojos.

La cámara transmite la imagen como si se estuviera mirando en el espejo retrovisor.

La cámara consta, entre otros, de los siguientes elementos:

N.º en fig. 9 , página 4	Denominación
1	Cable de alimentación de 6 polos
2	LEDs infrarrojos
3	Micrófono

7 Indicaciones relativas a la conexión eléctrica

7.1 Cableado



¡AVISO! ¡Peligro de ocasionar daños materiales!

- Si perfora agujeros, compruebe primero si existe el espacio libre suficiente para la salida del taladro.
- La colocación y conexión de cables no realizadas por personal técnico, tienen como consecuencia el mal funcionamiento o daños en los componentes. Una conexión y colocación correctas de los cables, es requisito fundamental para un funcionamiento duradero y correcto de los accesorios instalados.
- Los cables no deben estar durante largo tiempo en contacto con disolventes, como p. ej. gasolina, ya que el disolvente dañaría el cable.

Por ello, observe las siguientes indicaciones:

- Para pasar el cable de conexión utilice, siempre que sea posible, canales de paso originales u otras posibilidades, como p. ej. aristas revestidas, rejillas de ventilación o interruptores falsos. Si no existe ningún canal de paso previo, deberá realizar los correspondientes agujeros para cada cable. Antes, compruebe si hay suficiente espacio libre para la salida del taladro.
- Siempre que sea posible, coloque los cables en el interior del vehículo, puesto que allí estarán más protegidos que fuera del mismo.
Si a pesar de ello, colocase los cables en el exterior del vehículo, procure que queden bien fijos (mediante abrazaderas de cable adicionales, cinta aislante, etc.).
- A fin de evitar daños en los cables, al colocarlos, mantenga una distancia suficiente respecto a las piezas del vehículo que estén calientes y en movimiento (tubos de escape, ejes de accionamiento, dínamo, ventiladores, calefacción, etc.). Como protección mecánica utilice tubo ondulado o material protector semejante.
- Atornille los conectores del cable de conexión para protegerlo frente a la entrada de agua (fig. **17**, página 6).
- Al colocar los cables tenga en cuenta que:
 - no deben quedar demasiado doblados o retorcidos,
 - no rocen con aristas,
 - no se coloquen sin protección en canales de paso con aristas afiladas (fig. **3**, página 3).
- Fije los cables al vehículo de un modo seguro, para evitar un enganche (peligro de caída). Para lograr este propósito, utilice abrazaderas para cable, cinta aislante o péguelos con pegamento.
- Proteja cada abertura del revestimiento exterior con las medidas adecuadas para evitar la entrada de agua, p. ej. colocando el cable con pasta para juntas y rociando el cable y la boquilla de paso con pasta para juntas.



NOTA

Comience a impermeabilizar las aberturas sólo cuando haya finalizado todos los trabajos de ajuste en la cámara y cuando haya determinado la longitud necesaria del cable de conexión.

8 Montaje de la cámara

8.1 Herramientas necesarias

Para realizar la **instalación y el montaje** son necesarias las siguientes herramientas:

- Juego de brocas (fig. **1** 1, página 2)
- Taladradora (fig. **1** 2, página 2)
- Destornillador (fig. **1** 3, página 2)
- Juego de llaves poligonales o de boca (fig. **1** 4, página 2)
- Regla graduada (fig. **1** 5, página 2)
- Martillo (fig. **1** 6, página 2)
- Punzón para marcar (fig. **1** 7, página 2)

Para realizar la **conexión eléctrica** y su comprobación, necesitará los siguientes medios auxiliares:

- Diodo de comprobación (fig. **1** 8, página 2) o voltímetro (fig. **1** 9, página 2)
- Cinta aislante (fig. **1** 11, página 2)
- Si fuera necesario, boquillas de paso.

Para la **fijación de los cables** podrá necesitar adicionalmente abrazaderas para cables.

8.2 Montaje de la cámara



¡ATENCIÓN!

Elija un lugar de montaje para la cámara y fíjela de tal forma que en ningún caso puedan resultar heridas las personas que se encuentren cerca (p. ej. por ramas que arranquen la cámara al rozar el techo del vehículo).



NOTA

Puede ocurrir que al montar la cámara, la altura o la longitud del vehículo que aparece en la ficha técnica del vehículo se vean modificadas. En tal caso, las autoridades competentes (ITV, DEKRA, etc.) deberán realizar una nueva comprobación.

Asegúrese de que las autoridades de tráfico competentes reflejen en la ficha técnica del vehículo la nueva comprobación realizada.

Tenga en cuenta las siguientes indicaciones durante el montaje:

- Fije la cámara a un mínimo de 2 m de altura, para obtener un ángulo de visión adecuado.
Preste atención a que el lugar donde se realicen los trabajos de montaje ofrezca la suficiente estabilidad.
- Preste atención a que el lugar de montaje de la cámara ofrezca la solidez necesaria (p. ej., es posible que las ramas que pasen por encima del vehículo se queden enganchadas en la cámara).
- Monte el soporte de la cámara en horizontal y centrado en la parte trasera del vehículo (fig. **10**, página 5).
- La fijación más segura es mediante tornillos que atraviesen la estructura. Por ello, observe las siguientes indicaciones:
 - Asegúrese de que detrás del lugar de montaje seleccionado haya suficiente espacio libre para poder montar la cámara.
 - Cada abertura se debe proteger con medidas adecuadas frente a la entrada de agua (p. ej. utilizando tornillos con pasta para juntas y/o rociando las piezas de sujeción con pasta para juntas).
 - El punto de sujeción de la estructura debe ser lo suficientemente sólido como para poder apretar suficientemente el soporte de la cámara.
- Asegúrese previamente de que existe espacio libre suficiente para la salida del taladro (fig. **2**, página 3).
- En caso de no estar seguro del lugar de montaje que haya elegido, acuda al fabricante de la estructura o a su representante.

**NOTA**

Para minimizar la corrosión de los tornillos, se recomienda engrasar las roscas.

Para el montaje proceda de la siguiente manera:

- Coloque el soporte de la cámara en el lugar de montaje elegido y marque al menos 2 puntos de perforación distintos (fig. **11**, página 5).
- Puncée con el martillo y el punzón en los puntos previamente marcados, para evitar posibles desviaciones del taladro.

Si atornilla la cámara con tornillos para chapa (fig. **12, página 5)****¡AVISO! ¡Peligro de ocasionar daños materiales!**

La sujeción con tornillos para chapa sólo puede realizarse en chapas de acero con un grosor mínimo de 1,5 mm.

- Realice una perforación de \varnothing 2 mm en los puntos que haya marcado anteriormente.
- Lije todas las perforaciones y aplique un anticorrosivo.
- Atornille el soporte de la cámara utilizando tornillos para chapa con un tamaño de 4 x 10 mm.

Si desea fijar la cámara a la estructura mediante tornillos roscados (fig. 13, página 5)



¡AVISO! ¡Peligro de ocasionar daños materiales!

Asegúrese de que al apretar las tuercas, éstas no se incrusten en la estructura.

En caso necesario, utilice arandelas y placas de chapa de mayor tamaño.

- Realice una perforación de \varnothing 6,5 mm en los puntos que haya marcado anteriormente.
- Lije todas las perforaciones realizadas y aplíqueles un anticorrosivo.
- Atornille el soporte de la cámara con los tornillos roscados M6 x 20 mm. Según sea el grosor de la estructura, necesitará tornillos roscados de mayor o menor longitud.

Realizar la abertura para el paso del cable de conexión de la cámara (fig. 14, página 5)



NOTA

Como canal de paso para el cable de conexión utilice, siempre que sea posible, posibilidades ya existentes, como p. ej., rejillas de ventilación. Si no existe ninguna posibilidad de paso, deberá perforar un agujero de \varnothing 16 mm.



¡AVISO! ¡Peligro de ocasionar daños materiales!

Previamente, compruebe si hay espacio libre suficiente para la salida del taladro.

- Perfore un agujero de \varnothing 16 mm cerca de la cámara.
- Lije todas las perforaciones realizadas en la chapa y aplíqueles un anticorrosivo.
- Coloque en todos los canales de paso con aristas afiladas una boquilla de paso.

Montaje de la cámara



¡AVISO! Peligro de ocasionar daños materiales

Para montar la cámara, utilice sólo los tornillos que se suministran. Unos tornillos más largos dañarían la cámara.

- Inserte la cámara en su soporte.
- Fije la cámara **ligeramente** con los dos tornillos M4 x 6 mm en los dos orificios laterales (fig. **15**, página 5).
- Oriente provisionalmente la cámara de tal manera que el objetivo forme un ángulo de aprox. 50° respecto al eje vertical del vehículo (fig. **16**, página 6).

Conexión eléctrica de la cámara



NOTA

- Coloque el cable de la cámara de tal modo que, en caso de desmontaje de la cámara, pueda llegar con facilidad a la conexión de enchufe entre la cámara y el cable alargador. Con ello, el desmontaje se facilita considerablemente.
- Para reducir la corrosión de la clavija, se recomienda aplicar grasa, p. ej. grasa para polos, en una de las dos partes de la conexión.
- En caso necesario, hay más cables alargadores disponibles (véase capítulo "Accesorios" en la página 52).

- Lleve el cable de la cámara hasta el interior del vehículo.
- Conecte la clavija del cable de la cámara a la hembra del cable alargador.
- Atornille los conectores del cable de conexión para protegerlo frente a la entrada de agua (fig. **17**, página 6).

Orientar la cámara



NOTA

Para orientar la cámara deberá montar primero un monitor y conectarlo eléctricamente (ver esquema básico de conexiones fig. **18**, página 6).

- ▶ En caso necesario, oriente la cámara según la imagen del monitor:
En el margen inferior de la imagen del monitor debe visualizarse la parte trasera o el parachoques del vehículo. El centro del parachoques debe estar también en el centro de la imagen del monitor (fig. 19, página 6).
- ▶ Compruebe el funcionamiento de la cámara tras haberla conectado a un monitor.

Fijar la cámara

- ▶ Apriete los dos tornillos de fijación en los agujeros laterales del soporte de la cámara.
- ▶ Encaje las cubiertas laterales en los orificios laterales previstos (fig. 20, página 7) y fíjelas girándolas.
- ▶ Para retirar las cubiertas laterales introduzca dos objetos planos y romos en los orificios previstos en las cubiertas y gírelas.

9 Mantenimiento y limpieza de la cámara



¡AVISO! ¡Peligro de ocasionar daños materiales!

No utilice ningún instrumento afilado o duro en la limpieza, ya que podría dañar los aparatos.

- ▶ Limpie la cámara con un paño húmedo y suave cuando sea necesario.

10 Garantía legal

Rige el plazo de garantía legal. Si el producto presenta algún defecto, diríjase a la sucursal del fabricante de su país (ver direcciones en el dorso de estas instrucciones) o a su establecimiento especializado.

Para la tramitación de la reparación y de la garantía debe enviar lo siguiente:

- componentes defectuosos,
- una copia de la factura con fecha de compra,
- el motivo de la reclamación o una descripción de la avería.

11 Gestión de residuos

► Deseche el material de embalaje en el contenedor de reciclaje correspondiente.



Cuando vaya a desechar definitivamente el producto, infórmese en el centro de reciclaje más cercano o en un comercio especializado sobre las normas pertinentes de eliminación de materiales.

12 Datos técnicos

	PerfectView CAM55	PerfectView CAM55W
Art. n.º:	9600000555	9600000556
Sensor de imagen:	1/4" CMOS	
Píxeles:	640 (H) x 480 (V)	
Formato de vídeo:	PAL, 1 Vpp	
Sensibilidad:	< 1 lux / 0 lux con LEDs infrarrojos	
Ángulo de visión:	aprox. 120° diagonal aprox. 100° horizontal aprox. 70° vertical	
Tensión de funcionamiento:	10 – 32 V $\overline{=}$	
Consumo:	máx. 4,1 W	
Temperatura de funcionamiento:	-30 °C hasta +70 °C	
Clase de protección:	IP69K	
Resistencia a vibraciones:	10 g	
Dimensiones A x H x P (con soporte):	80 x 50 x 62 mm	
Peso:	aprox. 165 g	

Homologaciones

El aparato cumple con la homologación E13.



Por favor, leia atentamente este manual antes da montagem e colocação em funcionamento do aparelho e guarde-o em local seguro. Em caso de transmissão do produto, entregue o manual ao novo utilizador.

Índice

1	Explicação dos símbolos	62
2	Indicações de segurança e de montagem	62
3	Material fornecido	65
4	Acessórios	65
5	Utilização adequada	65
6	Descrição técnica	66
7	Indicações sobre a ligação elétrica	66
8	Montar a câmara	68
9	Conservar e limpar a câmara	72
10	Garantia	72
11	Eliminação	73
12	Dados técnicos	73

1 Explicação dos símbolos

**AVISO!**

Indicação de segurança: o incumprimento pode provocar a morte ou ferimentos graves.

**PRECAUÇÃO!**

Indicação de segurança: o incumprimento pode provocar ferimentos.

**NOTA!**

O incumprimento pode causar danos materiais e pode prejudicar o funcionamento do produto.

**OBSERVAÇÃO**

Informações suplementares sobre a operação do produto.

2 Indicações de segurança e de montagem

Cumpra as indicações de segurança e o especificado na literatura do fabricante do veículo e das associações profissionais!

O fabricante não se responsabiliza por danos nos seguintes casos:

- Erros de montagem ou de conexão
- Danos no produto resultantes de influências mecânicas e sobretensões
- Alterações ao produto sem autorização expressa do fabricante
- Utilização para outras finalidades que não as descritas no manual de instruções

Preste atenção ao seguinte:

- Antes de efetuar trabalhos no sistema elétrico do veículo, desligue sempre o polo negativo devido a perigo de curto-circuito.
No caso de veículos com bateria adicional, a mesma também deve ser desligada do polo negativo.

- Ligação de cabos insuficientes podem ter como consequência um curto-circuito
 - queimaduras de cabos,
 - o disparo do airbag,
 - a danificação dos dispositivos de comando eletrónicos,
 - a falha das funções elétricas (pisca-pisca, luz de travagem, buzina, ignição, luzes).
- Em trabalhos nos seguintes cabos, utilize apenas terminais de cabos, fichas e mangas de encaixe plano isolados:
 - 30 (entrada do positivo da bateria direta),
 - 15 (positivo ligado, por detrás da bateria),
 - 31 (cabo de retorno a partir da bateria, terra),
 - 58 (faróis de marcha-atrás).

Não utilize quaisquer barras de junção.

- Utilize um alicate de crimpar (fig. **1** 10, página 2) para ligar os cabos.
- Aparafuse o cabo por conexões ao cabo 31 (terra)
 - com terminal de cabo e arruela dentada a um parafuso de ligação à terra do veículo ou
 - com terminal de cabos e parafuso auto-roscante à chapa da carroçaria.Tenha atenção a uma boa transmissão à terra!

Ao retirar o borne do polo negativo da bateria, todas as memórias voláteis do sistema elétrico de comando perdem os seus dados memorizados.

- De acordo com a versão do veículo, terá de configurar novamente os seguintes dados:
 - Código do rádio
 - Relógio do veículo
 - Temporizador
 - Computador de bordo
 - Posição de utilização

No respetivo manual de instruções encontrará indicações relativas à regulação.

Durante a montagem, respeite as seguintes indicações:

- Fixe as peças da câmara montadas no veículo de forma a que não se soltem em circunstância alguma (travagem brusca, acidente de viação) o que poderá resultar em **ferimentos nos ocupantes do veículo**.
- Fixe os componentes do sistema instalados por debaixo de revestimentos de modo a que não se soltem ou danifiquem outros componentes e cabos e não limitem as funções do veículo (direção, pedais, etc.).

- Durante a perfuração, certifique-se de que existe espaço suficiente para a saída da broca de modo a evitar danos (fig. **2**, página 3).
- Remova as rebarbas de cada furo e coloque nos furos um produto anti-corrosão.
- Preste sempre atenção às indicações de segurança do fabricante do veículo. Alguns trabalhos (p.ex. sistemas de retenção como AIRBAG, etc.) apenas podem ser realizados por técnicos qualificados.

Respeite as seguintes indicações durante o trabalho em peças elétricas:

- Para verificar a tensão em ligações elétricas, utilize apenas uma lâmpada de verificação com díodos (fig. **1** 8, página 2) ou um voltímetro (fig. **1** 9, página 2). As lâmpadas de verificação (fig. **1** 12, página 2) com um corpo luminoso consomem correntes muito elevadas o que pode resultar na danificação da eletrônica do veículo.
- Ao instalar as ligações elétricas tenha atenção para que estas
 - não fiquem dobradas ou torcidas,
 - não sejam friccionadas contra os cantos,
 - não passem sem proteção por guias de passagem com arestas afiadas (fig. **3**, página 3).
- Isole todos os cabos e ligações.
- Proteja os cabos contra desgaste mecânico através de braçadeiras de cabos ou fita de isolamento, p.ex., nos cabos existentes.

A câmara é estanque. No entanto, as vedações da câmara não resistem a um aparelho de limpeza de alta pressão (fig. **4**, página 3). Preste, por isso, atenção às seguintes indicações sobre o manuseamento da câmara:

- As pessoas (incluindo crianças) que não estão aptas a utilizar o produto de modo seguro devido a incapacidade física, sensorial ou mental ou devido à sua in experiência não devem utilizar o produto sem a supervisão ou as instruções de uma pessoa responsável.
- Não abra a câmara, uma vez que isso afeta a sua estanqueidade e a capacidade de funcionamento (fig. **5**, página 3).
- Não puxe pelos cabos, uma vez que isso afeta a estanqueidade e a capacidade de funcionamento da câmara (fig. **6**, página 3).
- A câmara não é adequada para ser utilizada debaixo de água (fig. **7**, página 3).

3 Material fornecido

N.º na fig. 8 , página 4	Quantidade	Designação	N.º de artigo
1	1	Câmara a cores CAM55	9600000555
		Câmara a cores CAM55W	9600000556
2	1	Suporte da câmara	
3	2	Coberturas laterais	
4	1	Cabo de extensão	9600000208

4 Acessórios

Disponível como acessório (não consta do material fornecido):

Designação	N.º de artigo
Cabo de extensão de 5 m	9600000206
Cabo de extensão de 10 m	9600000207
Cabo de extensão de 20 m	9600000208
Cabo em espiral para funcionamento com reboque SPK170	9600000235

5 Utilização adequada

As câmaras a cores CMOS CAM55 (n.º art. 9600000555) e CAM55W (n.º art. 9600000556) foram concebidas essencialmente para utilização em veículos. Podem ser utilizadas em sistemas de vídeo para observação da área em torno do veículo a partir do lugar do condutor, por ex. ao fazer manobras ou ao estacionar.



AVISO!

Perigo de ferimentos provocados pelo veículo.

Os sistemas de vídeo de marcha atrás oferecem uma ajuda adicional nas manobras de marcha atrás, no entanto, **não dispensam o procedimento extremamente prudente durante essas manobras.**

6 Descrição técnica

A câmara com microfone incorporado está alojada numa caixa de alumínio e transmite imagem e som através de um cabo para um monitor. Os LED de infravermelhos melhoram a visão noturna.

A câmara transmite a imagem como se olhasse pelo espelho retrovisor.

A câmara é composta, entre outros, pelos seguintes elementos:

N.º na fig. 9, página 4	Designação
1	Cabo de conexão de 6 polos
2	LED de infravermelhos
3	Microfone

7 Indicações sobre a ligação elétrica

7.1 Instalar os cabos



NOTA! Perigo de danos!

- Antes de fazer furos, verifique se existe espaço livre suficiente para a saída da broca.
- A passagem e a ligação de cabos não adequadas provocam sempre funções erradas ou danos nos componentes. A passagem ou ligação de cabos correta é uma condição fundamental para um funcionamento duradouro e sem falhas dos componentes re-equipados.
- Os cabos não podem entrar em contacto durante muito tempo com solventes como, p.ex., benzina, uma vez que ficariam danificados.

Preste, por isso, atenção às seguintes indicações:

- Utilize para a passagem do cabo de conexão, se possível, versões originais ou outras possibilidades de passagem, p.ex., arestas de revestimento, grelhas de ventilação ou interruptores cegos. Se não estiverem disponíveis quaisquer passagens, terá de perfurar os respetivos furos para cada cabo. Confira antes se está disponível espaço livre suficiente para a saída da broca.

- Sempre que possível, passe os cabos através do interior do veículo, pois aí estão mais protegidos do que no exterior.
Caso, mesmo assim, passe os cabos pelo exterior do veículo, tenha atenção para que fiquem bem presos (mediante braçadeiras de cabos ou fita de isolamento, etc.).
- Para evitar danos no cabo, ao passar os cabos, mantenha sempre uma distância suficiente em relação a peças do veículo quentes ou em movimento (tubos de escape, eixos de transmissão, gerador elétrico, ventiladores, aquecimento, etc.). Para proteção mecânica utilize tubo ondulado ou materiais de proteção semelhantes.
- Aparafuse os encaixes do cabo de ligação para ficarem protegidos contra a penetração de água (fig. **17**, página 6).
- Ao passar os cabos, tenha atenção para que estes
 - não fiquem muito dobrados ou torcidos,
 - não sejam friccionadas contra os cantos,
 - não passem sem proteção por guias de passagem com arestas afiadas (fig. **3**, página 3).
- Fixe os cabos no veículo de modo seguro para evitar um enrolamento (perigo de queda). Isto pode ser realizado através da utilização de braçadeira de cabos, fita de isolamento ou cola.
- Proteja cada abertura do revestimento exterior com medidas adequadas para evitar a penetração de água, p.ex., através da colocação do cabo com massa de vedação e através da pulverização do cabo e do bloco de ligação com massa de vedação.

**OBSERVAÇÃO**

Comece a selar as aberturas apenas quando tiver finalizado todos os trabalhos de ajuste na câmara e quando tiver determinado os comprimentos necessários do cabo de conexão.

8 Montar a câmara

8.1 Ferramentas necessárias

Para a **instalação e montagem** são necessárias as seguintes ferramentas:

- Conjunto de brocas (fig. **1** 1, página 2)
- Berbequim (fig. **1** 2, página 2)
- Chave de parafusos (fig. **1** 3, página 2)
- Conjunto de chaves de luneta ou chaves de bocas (fig. **1** 4, página 2)
- Régua graduada (fig. **1** 5, página 2)
- Martelo (fig. **1** 6, página 2)
- Punções (fig. **1** 7, página 2)

Para a **ligação elétrica** e respetiva verificação são necessárias as seguintes ferramentas de apoio:

- Lâmpada de verificação com díodos (fig. **1** 8, página 2) ou voltímetro (fig. **1** 9, página 2)
- Fita de isolamento (fig. **1** 11, página 2)
- Event. blocos de ligações para passagem de cabos

Para a **fixação dos cabos** necessita, eventualmente, de mais braçadeiras de cabos.

8.2 Montar a câmara



PRECAUÇÃO!

Selecione o local da câmara e fixe a mesma de forma segura, de modo a que, em caso algum, pessoas que se encontrem nas proximidades possam ficar feridas, p.ex. se ramos por cima do tejadilho roçarem na câmara e soltarem a mesma.



OBSERVAÇÃO

Se, devido à montagem da câmara, a altura ou o comprimento do veículo registado na respetiva documentação do veículo for alterada, deve ser realizada uma nova aprovação por parte das entidades competentes (TÜV, DEKRA, etc.) (organismos de inspeção alemães). Dirija-se à entidade rodoviária competente para que esta aprove as alterações ao veículo na documentação do veículo.

Durante a montagem, respeite as seguintes indicações:

- Coloque a câmara num ângulo de visão razoável a uma altura de, pelo menos, dois metros.
Preste atenção na montagem para que exista um espaço de trabalho estável suficiente.
- Preste atenção para que o local de montagem da câmara ofereça estabilidade suficiente (p.ex. ramos que passam por cima do tejadilho possam ficar presos na câmara).
- Monte o suporte da câmara na posição horizontal e ao centro na traseira do veículo (fig. **10**, página 5).
- A forma mais segura de fixação são parafusos que atravessam a estrutura. Preste neste caso atenção às seguintes indicações:
 - Por detrás da posição de montagem selecionada deve existir espaço livre suficiente para a montagem.
 - Cada abertura tem de ficar protegida com medidas adequadas para evitar a penetração de água, (p.ex. através da colocação dos parafusos com massa de vedação e/ou através da pulverização dos elementos de fixação exteriores com massa de vedação).
 - A estrutura tem de oferecer estabilidade suficiente no ponto de fixação para que o suporte da câmara possa ser suficientemente apertado.
- Verifique previamente se existe espaço livre suficiente para a saída da broca (fig. **2**, página 3).
- Se não se sentir seguro acerca do local de montagem por si selecionado, informe-se junto do fabricante da estrutura ou do respetivo representante.



OBSERVAÇÃO

Para minimizar a corrosão dos parafusos, lubrifique a rosca.

Para a montagem, proceda do seguinte modo:

- Segure o suporte da câmara no local de montagem selecionado e marque no mínimo dois pontos de perfuração diferentes (fig. **11**, página 5).
- Efetue uma marcação nos pontos anteriormente assinalados com o martelo e o punção para evitar que a broca deslize.

Se pretender aparafusar a câmara com parafusos auto-roscantes (fig. **12, página 5)**



NOTA! Perigo de danos!

A fixação com parafusos auto-roscantes para chapa apenas pode ser realizada em chapas de aço com uma espessura mínima de 1,5 mm.

- ▶ Faça um furo de \varnothing 3 mm nos pontos marcados anteriormente.
- ▶ Remova as rebarbas de todos os furos perfurados e coloque nos furos uma proteção anti-corrosão.
- ▶ Aparafuse o suporte da câmara com parafusos auto-roscantes de tamanho 4 x 10 mm.

Se pretender fixar a câmara com parafusos roscados através da estrutura (fig. 13, página 5)



NOTA! Perigo de danos!

Preste atenção para que ao apertar as porcas, estas não possam ser puxadas através da estrutura.
Utilize eventualmente arruelas ou placas de chapa maiores.

- ▶ Faça um furo de \varnothing 5 mm nos pontos marcados anteriormente.
- ▶ Remova as rebarbas de todos os furos perfurados e coloque nos furos uma proteção anti-corrosão.
- ▶ Aparafuse o suporte da câmara com os parafusos roscados de M6 x 20 mm. Consoante a espessura da estrutura, pode necessitar de parafusos roscados mais compridos.

Realizar a abertura para o cabo de conexão da câmara (fig. 14, página 5)



OBSERVAÇÃO

Utilize para a passagem do cabo de conexão, se possível, passagens eventualmente existentes, p.ex., grelhas de ventilação. Se não existirem quaisquer passagens, terá de fazer um furo com um \varnothing de 16 mm.



NOTA! Perigo de danos!

Verifique antes se existe espaço livre suficiente para a saída da broca.

- ▶ Faça um furo nas proximidades da câmara com um \varnothing de 16 mm.
- ▶ Remova as rebarbas de todos os furos perfurados na chapa e coloque nos furos uma proteção anti-corrosão.
- ▶ Coloque em todas as passagens pontiagudas um isolante.

Montar a câmara



NOTA! Perigo de danos!

Utilize para a montagem da câmara apenas os parafusos juntamente fornecidos. Parafusos mais compridos danificam a câmara.

- ▶ Introduza a câmara no suporte da câmara.
- ▶ Fixe a câmara **de modo solto** com os dois parafusos de M4 x 6 mm nos orifícios laterais (fig. **15**, página 5).
- ▶ Alinhe a câmara provisoriamente de forma a que a objetiva forme um ângulo de aprox. 50° em relação ao eixo vertical do veículo (fig. **16**, página 6).

Efetuar a ligação elétrica da câmara



OBSERVAÇÃO

- Passe o cabo da câmara de forma a que, em caso de uma desmontagem eventualmente necessária, se possa aceder facilmente à ligação de ficha entre a câmara e o cabo de extensão. A desmontagem ficará deste modo consideravelmente simplificada.
- De forma a minimizar a corrosão na ficha, aplique um pouco de massa lubrificante, p.ex., massa própria para pinos, numa das fichas.
- Se necessário estão disponíveis cabos de extensão adicionais (ver capítulo “Acessórios” na página 65).

- ▶ Conduza o cabo da câmara para o interior do veículo.
- ▶ Insira a ficha do cabo da câmara na tomada do cabo de extensão.
- ▶ Aparafuse o encaixe para proteção contra a penetração de água (fig. **17**, página 6)

Alinhar a câmara



OBSERVAÇÃO

Para alinhar a câmara terá de, eventualmente, montar ainda um monitor e efetuar a respetiva ligação elétrica (ver o esquema de ligações de princípio fig. **18**, página 6).

- ▶ Alinhe a câmara com base na imagem do monitor:
A imagem do monitor deverá mostrar na margem inferior da imagem a traseira ou o para-choques do seu veículo. O centro do para-choques também deverá estar ao centro da imagem do monitor (fig. 19, página 6).
- ▶ Verifique o funcionamento da câmara, após a ter ligado a um monitor.

Fixar a câmara

- ▶ Aperte os dois parafusos de fixação nos orifícios laterais do suporte da câmara.
- ▶ Encaixe as coberturas laterais nas aberturas laterais previstas para o efeito (fig. 20, página 7) e fixe as mesmas com um movimento giratório.
- ▶ Para remover as coberturas laterais, insira dois objetos planos não afiados nas aberturas previstas para o efeito das coberturas e rode os mesmos.

9 Conservar e limpar a câmara



NOTA! Perigo de danos!

Não utilize materiais afiados ou duros para a limpeza, uma vez que estes podem causar danos no aparelho.

- ▶ De vez em quando, limpe a câmara com um pano macio humedecido.

10 Garantia

É válido o prazo de garantia legal. Se o produto estiver com defeito, por favor, dirija-se à representação do fabricante no seu país (endereços, ver verso do manual) ou ao seu revendedor.

Para fins de reparação ou de garantia, terá de enviar os seguintes documentos:

- componentes com defeito,
- uma cópia da fatura com a data de aquisição,
- um motivo de reclamação ou uma descrição da falha.

11 Eliminação

- Sempre que possível, coloque o material de embalagem no respectivo contentor de reciclagem.



Para colocar o aparelho definitivamente fora de funcionamento, por favor, informe-se junto do centro de reciclagem mais próximo ou revendedor sobre as disposições de eliminação aplicáveis.

12 Dados técnicos

	PerfectView CAM55	PerfectView CAM55W
N.º art.:	9600000555	9600000556
Sensor de imagem:	1/4" CMOS	
Pontos de imagem:	640 (H) x 480 (V)	
Padrão de vídeo:	PAL, 1 Vpp	
Sensibilidade:	< 1 lux / 0 lux com LED infravermelhos	
Ângulo de visão:	aprox. 120° diagonal aprox. 100° horizontal aprox. 70° vertical	
Tensão de funcionamento:	10 – 32 V $\overline{=}$	
Consumo:	máx. 4,1 W	
Temperatura de funcionamento:	-30 °C a +70 °C	
Classe de proteção:	IP69K	
Resistência à vibração:	10 g	
Dimensões L x A x P (com suporte):	80 x 50 x 62 mm	
Peso:	aprox. 165 g	

Certificações

O aparelho possui a certificação E13.



Prima di effettuare il montaggio e la messa in funzione leggere accuratamente questo manuale di istruzioni, conservarlo e in caso di trasmissione del prodotto, consegnarlo all'utente successivo.

Indice

1	Spiegazione dei simboli	75
2	Indicazioni di sicurezza e montaggio	75
3	Dotazione	78
4	Accessori	78
5	Uso conforme alla destinazione	78
6	Descrizione tecnica.	79
7	Indicazioni per l'allacciamento elettrico	79
8	Montaggio della telecamera	81
9	Cura e pulizia della telecamera	86
10	Garanzia	86
11	Smaltimento	86
12	Specifiche tecniche.	87

1 Spiegazione dei simboli

**AVVERTENZA!**

Avviso di sicurezza: la mancata osservanza di questo avviso può causare ferite gravi anche mortali.

**ATTENZIONE!**

Avviso di sicurezza: la mancata osservanza di questo avviso può essere causa di lesioni.

**AVVISO!**

La mancata osservanza di questa nota può causare danni materiali e compromettere il funzionamento del prodotto.

**NOTA**

Informazioni integranti relative all'impiego del prodotto.

2 Indicazioni di sicurezza e montaggio

Osservare le indicazioni di sicurezza e le direttive previste dal produttore del veicolo e dagli specialisti del settore!

Il produttore non si assume nessuna responsabilità per danni nei seguenti casi:

- errori di montaggio o di allacciamento
- danni al prodotto dovuti a influenze meccaniche o a sovratensioni
- modifiche al prodotto senza esplicita autorizzazione del produttore
- impiego per altri fini rispetto a quelli descritti nel manuale di istruzioni

Osservare perciò le seguenti indicazioni:

- Per scongiurare il pericolo di un cortocircuito, staccare sempre il polo negativo, prima di eseguire qualsiasi lavoro al sistema elettrico del veicolo.
È necessario staccare il polo negativo della batteria anche quando si tratta di veicoli con batteria ausiliare.

- Collegamenti elettrici inadeguati possono provocare in caso di cortocircuito:
 - bruciatura di cavi,
 - attivazione dell'airbag,
 - danneggiamento ai dispositivi elettronici di comando,
 - guasti delle funzioni elettriche (lampeggiatore, luce di arresto, segnalatore acustico, accensione, luce di marcia).
- Per l'esecuzione dei lavori alle seguenti linee, impiegare solamente spine, spine femmina piatte e capicorda isolati:
 - 30 (ingresso diretto del polo positivo della batteria),
 - 15 (polo positivo inserito, dietro batteria),
 - 31 (linea di ritorno dalla batteria, a massa),
 - 58 (proiettore di retromarcia).

Non impiegare morsetti.

- Impiegare una pinza a crimpare (fig. **1** 10, pagina 2) per collegare i cavi.
- Collegare il cavo con viti agli allacciamenti sulla linea 31 (a massa)
 - con capocorda e rosetta elastica dentata piana ad una vite di massa propria del veicolo o
 - con capocorda e vite autofilettante alla lamiera della carrozzeria.

Accertarsi che ci sia un buon collegamento di massa!

Quando si stacca il polo negativo della batteria tutte le memorie volatili del sistema dell'elettronica per funzioni comfort perdono i dati memorizzati.

- Devono essere reimpostati a seconda dell'equipaggiamento del veicolo i seguenti dati per:
 - codice radio
 - orologio
 - timer
 - computer di bordo
 - posizione sedile

Per indicazioni relative all'impostazione consultare le relative istruzioni per l'uso.

Osservare le seguenti indicazioni per il montaggio:

- Fissare i componenti della telecamera montati nel veicolo in modo che non possano staccarsi, (ad es. in caso di frenate brusche o incidenti) e non possano portare al **ferimento dei passeggeri**.
- Fissare i componenti del sistema non a vista da applicare sotto il rivestimento in modo tale che non possano staccarsi o danneggiare altri componenti e cavi e compromettere le funzioni del veicolo (sterzo, pedali ecc.).

- Durante i lavori di trapanatura assicurarsi che ci sia spazio sufficiente per l'uscita del trapano per evitare eventuali danni (fig. **2**, pagina 3).
- Sbavare ogni foro e trattarlo con antiruggine.
- Osservare sempre le indicazioni di sicurezza del produttore del veicolo. Alcuni lavori (ad es. ai sistemi di arresto quali AIRBAG ecc.) devono essere eseguiti esclusivamente da personale qualificato addestrato.

Osservare le seguenti indicazioni durante l'esecuzione dei lavori ai componenti elettrici:

- Per il controllo della tensione nelle linee elettriche utilizzare unicamente una lampada campione a diodi (fig. **1** 8, pagina 2) oppure un voltmetro (fig. **1** 9, pagina 2).
Le lampade campione con un corpo luminoso (fig. **1** 12, pagina 2) assorbono correnti troppo elevate rischiando così di danneggiare il sistema elettronico del veicolo.
- Durante la disposizione degli allacciamenti elettrici fare in modo che questi
 - non vengano torti o piegati,
 - non sfregino contro spigoli,
 - non vengano posati in canaline con spigoli vivi senza protezione (vedi fig. **3**, pagina 3).
- Isolare tutti i collegamenti e gli allacciamenti.
- Con fascette serracavi o con nastro isolante fissare i cavi, ad es. alle linee disponibili, per proteggerli dalle sollecitazioni meccaniche.

La telecamera è a tenuta stagna. Le guarnizioni della telecamera però non resistono al getto di una idropulitrice (fig. **4**, pagina 3). È opportuno perciò osservare le seguenti indicazioni per l'impiego della telecamera:

- Persone (bambini compresi) che a causa della proprie capacità fisiche, sensoriali o mentali, oppure che a causa della propria inesperienza e scarsa conoscenza non siano in grado di utilizzare il prodotto in modo sicuro, devono evitare di utilizzarlo se non in presenza e seguendo le istruzioni di una persona per loro responsabile.
- Non aprire la telecamera in quanto ne verrebbero compromesse la tenuta e la funzionalità (fig. **5**, pagina 3).
- Non tirare i cavi perché la tenuta e la funzionalità della telecamera verrebbero compromesse (fig. **6**, pagina 3).
- La telecamera non è subacquea quindi non adatta per immersioni (vedi fig. **7**, pagina 3).

3 Dotazione

N. in fig. 3 , pagina 4	Quantità	Denominazione	N. art.
1	1	Telecamera a colori CAM55 Telecamera a colori CAM55W	9600000555 9600000556
2	1	Supporto della telecamera	
3	2	Coperture laterali	
4	1	Cavo di prolunga	9600000208

4 Accessori

Disponibile come accessorio (non in dotazione):

Denominazione	N. art.
Cavo di prolunga 5 m	9600000206
Cavo di prolunga 10 m	9600000207
Cavo di prolunga 20 m	9600000208
Cavo a spirale per caravaning SPK170	9600000235

5 Uso conforme alla destinazione

Le telecamere a colori CMOS CAM55 (n. art. 9600000555) e CAM55W (n. art. 9600000556) sono concepite principalmente per l'utilizzo in veicoli. Possono essere applicate in videosistemi che servono a controllare l'area circostante il veicolo dal sedile di guida, ad es. nelle fasi di manovra o di parcheggio.



AVVERTENZA!

Pericolo di danni a persone causati dal veicolo.
I videosistemi di retromarcia rappresentano un aiuto nelle manovre di retromarcia, tuttavia **non** esulano il conducente **dal dovere di guidare con particolare prudenza durante le manovre di retromarcia.**

6 Descrizione tecnica

La telecamera con microfono integrato è alloggiata in una scatola in alluminio e trasmette immagini e suoni attraverso un cavo collegato ad un monitor. I LED a raggi infrarossi consentono una migliore visibilità notturna.

La telecamera trasmette l'immagine come se l'utente guardasse nello specchietto retrovisore.

La telecamera è dotata inoltre dei seguenti componenti:

N. in fig. 9, pagina 4	Denominazione
1	Cavo di allacciamento a 6 poli
2	LED a raggi infrarossi
3	Microfono

7 Indicazioni per l'allacciamento elettrico

7.1 Posa dei cavi



AVVISO! Pericolo di danni!

- Prima di effettuare dei fori, assicurarsi che ci sia spazio sufficiente per l'uscita della punta da trapano.
- Pose e collegamenti dei cavi non eseguiti a regola d'arte portano sempre a malfunzionamenti o danni degli elementi costruttivi. Un'esecuzione corretta della posa e del collegamento dei cavi rappresenta il presupposto essenziale per un funzionamento duraturo e corretto dei componenti dell'equipaggiamento ausiliario.
- I cavi non devono venire in contatto per un periodo prolungato con solventi come ad es. benzina, poiché possono esserne danneggiati.

Osservare perciò le seguenti indicazioni:

- Per il passaggio del cavo di allacciamento impiegare, a seconda delle possibilità, canaline originali o altri tipi di aperture, ad es. spigoli dei pannelli interni, griglie di aerazione oppure interruttori finti. Se non ci sono aperture disponibili, occorre realizzare fori corrispondenti per i vari cavi. Verificare prima che ci sia uno spazio sufficiente per l'uscita del trapano.

- Quando è possibile, posare i cavi sempre all'interno del veicolo perché qui sono più protetti che al suo esterno.
Se tuttavia i cavi devono essere posati all'esterno del veicolo assicurarsi che siano fissati in modo sicuro (mediante fascette serracavi supplementari, nastro isolante e simili).
- Nel posare i cavi fare in modo che ci sia sempre una distanza sufficiente da elementi caldi e rotanti del veicolo (tubi di scarico, alberi motore, alternatore, ventola e simili), per evitare danni al cavo. Per proteggere le parti meccaniche utilizzare un tubo ondulato o materiali di protezione simili.
- Per proteggere dalla penetrazione d'acqua, avvitare i collegamenti a spina dei cavi di collegamento (fig. **17**, pagina 6).
- Durante la posa dei cavi assicurarsi che questi
 - non vengano torti o piegati eccessivamente,
 - non sfregino contro spigoli,
 - non vengano posati in canaline con spigoli vivi senza protezione (vedi fig. **3**, pagina 3).
- Fissare i cavi in modo sicuro nel veicolo per evitare che si impiglino (pericolo di crollo). A questo scopo utilizzare fascette serracavi, nastro isolante o adesivi.
- Prendere le dovute precauzioni per proteggere ogni apertura realizzata nella carrozzeria in modo che non penetri acqua, ad es. mediante l'introduzione del cavo con materiale sigillante e spruzzando mastice sul cavo e sulla boccola passacavo.

**NOTA**

Iniziare l'impermeabilizzazione delle aperture solo dopo aver terminato i lavori di installazione della telecamera e aver stabilito le lunghezze necessarie dei cavi di allacciamento.

8 Montaggio della telecamera

8.1 Attrezzi necessari

Per l'**installazione e il montaggio** sono necessari i seguenti attrezzi:

- set di punte da trapano (fig. **1** 1, pagina 2)
- trapano (fig. **1** 2, pagina 2)
- cacciaviti (fig. **1** 3, pagina 2)
- set di chiavi ad anello o chiavi fisse (fig. **1** 4, pagina 2)
- metro (fig. **1** 5, pagina 2)
- martello (fig. **1** 6, pagina 2)
- punzoni (fig. **1** 7, pagina 2)

Per l'**allacciamento elettrico** e per il controllo dello stesso sono necessari i seguenti ausili:

- lampada campione a diodi (fig. **1** 8, pagina 2) oppure voltmetro (vedi fig. **1** 9, pagina 2)
- nastro isolante (fig. **1** 11, pagina 2)
- evt. boccole passacavi

Per il **fissaggio dei cavi** sono necessarie eventualmente anche altre fascette serracavi.

8.2 Montaggio della telecamera



ATTENZIONE!

Scegliere l'ubicazione della telecamera e fissarla saldamente in modo tale da impedire in qualsiasi situazione che possano venire ferite persone che si trovano nelle vicinanze, per es. se la telecamera viene staccata da rami bassi che strisciano sul tetto del veicolo.



NOTA

Se con l'installazione della telecamera vengono modificate l'altezza o la lunghezza del veicolo rispetto a quelle indicate nella carta di circolazione è necessario fare eseguire un nuovo collaudo dagli enti competenti.

Far registrare il nuovo collaudo sulla carta di circolazione dall'ente per la circolazione stradale competente.

Osservare le seguenti indicazioni per il montaggio:

- Applicare la telecamera ad almeno 2 metri di altezza, per ottenere un angolo di visibilità ragionevole.
Durante il montaggio assicurarsi che si disponga di una superficie di ampiezza e stabilità sufficienti per lavorare.
- Assicurarsi che la telecamera sia montata in modo sufficientemente stabile (ad es. è possibile che passando sotto ad alberi i rami si possano impigliare nella telecamera sul tetto).
- Montare il supporto della telecamera in orizzontale e disporlo centralmente sulla parte posteriore del veicolo (fig. **10**, pagina 5).
- Il modo migliore per fissare la telecamera è con viti che passano attraverso la carrozzeria. Osservare quindi le seguenti indicazioni:
 - Dietro alla posizione scelta per il montaggio ci deve essere sufficiente spazio per permettere il montaggio.
 - Tenere presente che ogni apertura deve essere protetta con misure adeguate contro la penetrazione d'acqua (ad es. utilizzando viti con mastice e/o spruzzando mastice sui componenti di fissaggio esterni).
 - La struttura corrispondente alla zona di fissaggio deve offrire sufficiente solidità in modo che il supporto della telecamera possa essere stretto adeguatamente.
- Prima controllare che ci sia uno spazio sufficiente per l'uscita del trapano (fig. **2**, pagina 3).

- Se si nutrono dubbi sulla sicurezza del luogo di montaggio prescelto, consigliamo di richiedere informazioni presso il costruttore della carrozzeria o presso una filiale.

**NOTA**

Per ridurre al minimo la corrosione delle viti, lubrificare la filettatura.

Per eseguire il montaggio procedere come segue:

- Tenere il supporto della telecamera sul luogo di montaggio prescelto e contrassegnare almeno due diversi punti per la trapanatura (fig. **11**, pagina 5).
- Punzonare i punti precedentemente contrassegnati usando martello e punzoni per impedire una deviazione del trapano.

Per avvitare la telecamera con viti per lamiera (fig. **12, pagina 5)****AVVISO! Pericolo di danni!**

Il fissaggio con viti per lamiera deve essere eseguito solo in lamiera d'acciaio con uno spessore minimo di 1,5 mm.

- Su tutti i punti precedentemente contrassegnati realizzare un foro del \varnothing di 2 mm.
- Sbavare ogni foro e trattarlo con antiruggine.
- Avvitare il supporto con le viti autofilettanti della dimensione di 4 x 10 mm.

Per fissare la telecamera con viti maschianti attraverso la carrozzeria del veicolo (fig. **13, pagina 5)****AVVISO! Pericolo di danni!**

Assicurarsi che durante il serraggio i dadi non trapassino la carrozzeria. Impiegare eventualmente rondelle di spessore maggiore o piastre in lamiera.

- Su tutti i punti precedentemente contrassegnati realizzare un foro del \varnothing di 6,5 mm.
- Sbavare ogni foro e trattarlo con antiruggine.
- Avvitare il supporto della videocamera con le viti a filetto M6 x 20 mm. A seconda dello spessore della carrozzeria sono necessarie viti maschianti più lunghe.

Realizzazione dell'apertura per il passaggio del cavo di allacciamento della telecamera (fig. 14, pagina 5)



NOTA

Per il passaggio del cavo di allacciamento, utilizzare, a seconda delle possibilità, aperture già esistenti, per es. griglie di aerazione. Se non ci sono aperture disponibili, occorre realizzare un foro del Ø di 16 mm.



AVVISO! Pericolo di danni!

Prima controllare che ci sia uno spazio sufficiente per l'uscita del trapano.

- Realizzare un foro del Ø di 16 mm in prossimità della telecamera.
- Sbavare ogni foro realizzato sulla lamiera e trattarlo con antiruggine.
- Dotare tutte le canaline con spigoli vivi di una boccola passacavo.

Montaggio della telecamera



AVVISO! Pericolo di danni!

Per montare la telecamera impiegare unicamente le viti comprese nella fornitura. Viti più lunghe danneggiano la telecamera.

- Inserire la telecamera nel relativo supporto.
- Fissare la videocamera lasciandola **mobile** con le due viti M4 x 6 mm nei fori laterali (fig. 15, pagina 5).
- Orientare provvisoriamente la telecamera in modo tale che l'obiettivo formi un angolo di circa 50° con l'asse verticale del veicolo (fig. 16, pagina 6).

Allacciamento elettrico della telecamera



NOTA

- Posare il cavo della telecamera in modo tale da arrivare senza difficoltà alla connessione a spina fra la telecamera e il cavo di prolunga nel caso in cui si debba eventualmente smontare la telecamera. Lo smontaggio viene in questo modo notevolmente facilitato.
- Per ridurre al minimo il grado di corrosione nella spina, consigliamo di spalmare su una delle spine uno strato di grasso, ad es. grasso per poli della batteria.
- Se necessario sono disponibili altri cavi di prolunga (vedi capitolo "Accessori" a pagina 78).

- Far passare il cavo della telecamera all'interno del veicolo.
- Inserire la spina del cavo della telecamera nella presa del cavo di prolunga.
- Per proteggere dalla penetrazione d'acqua, avvitare i collegamenti a spina dei cavi di collegamento (fig. **17**, pagina 6).

Orientamento della telecamera



NOTA

Per orientare la telecamera può essere eventualmente necessario montare prima un monitor ed effettuare l'allacciamento elettrico (vedi lo schema di allacciamento di base fig. **18**, pagina 6).

- Orientare la telecamera secondo l'immagine sul monitor:
l'immagine sul monitor deve mostrare sul margine inferiore la parte posteriore ovvero il paraurti del veicolo. La parte centrale del paraurti dovrebbe trovarsi al centro del monitor (fig. **19**, pagina 6).
- Verificare il funzionamento della telecamera dopo averla collegata ad un monitor.

Fissaggio della videocamera

- Serrare le due viti di fissaggio nei fori laterali del supporto.
- Applicare le due coperture laterali nelle apposite aperture (fig. **20**, pagina 7) finché non fanno clic e fissarle con un movimento circolare.
- Per rimuovere le due coperture laterali, introdurre due oggetti non appuntiti e piatti nelle apposite aperture delle coperture e ruotarli.

9 Cura e pulizia della telecamera



AVVISO! Pericolo di danni!

Per la pulizia non impiegare detergenti corrosivi o oggetti ruvidi perché potrebbero provocare un danno agli apparecchi.

- ▶ Pulire la telecamera di tanto in tanto con un panno morbido umido.

10 Garanzia

Vale il termine di garanzia previsto dalla legge. Qualora il prodotto risultasse difettoso, La preghiamo di rivolgersi alla filiale del produttore del suo Paese (l'indirizzo si trova sul retro del manuale di istruzioni), oppure al rivenditore specializzato di riferimento.

Per la riparazione o il disbrigo delle condizioni di garanzia è necessario inviare quanto segue:

- i componenti difettosi,
- una copia della fattura con la data di acquisto del prodotto,
- un motivo su cui fondare il reclamo, oppure una descrizione del guasto.

11 Smaltimento

- ▶ Raccogliere il materiale di imballaggio possibilmente negli appositi contenitori di riciclaggio.



Quando il prodotto viene messo fuori servizio definitivamente, informarsi al centro di riciclaggio più vicino, oppure presso il proprio rivenditore specializzato, sulle prescrizioni adeguate concernenti lo smaltimento.

12 Specifiche tecniche

	PerfectView CAM55	PerfectView CAM55W
N. art.:	9600000555	9600000556
Sensore di immagine:	1/4" CMOS	
Punti immagine:	640 (H) x 480 (V)	
Standard video:	PAL, 1 Vpp	
Sensibilità:	< 1 lux / 0 lux con LED a raggi infrarossi	
Angolo di visibilità:	ca. 120° in diagonale ca. 100° in orizzontale ca. 70° in verticale	
Tensione di esercizio:	10 – 32 V $\overline{=}$	
Consumo:	max 4,1 W	
Temperatura di esercizio:	-30 °C fino a +70 °C	
Classe di protezione:	IP69K	
Resistenza alle vibrazioni:	10 g	
Dimensioni L x A x P (con supporto):	80 x 50 x 62 mm	
Peso:	ca. 165 g	

Omologazioni

L'apparecchio dispone dell'omologazione E13.



Lees deze handleiding voor de montage en de ingebruikname zorgvuldig door en bewaar hem. Geef de handleiding bij het doorgeven van het product aan de gebruiker.

Inhoudsopgave

1	Verklaring van de symbolen	89
2	Veiligheids- en montage-instructies	89
3	Omvang van de levering	92
4	Toebehoren.	92
5	Reglementair gebruik	92
6	Technische beschrijving	93
7	Instructies voor de elektrische aansluiting	93
8	Camera monteren	95
9	Camera onderhouden en reinigen	99
10	Garantie	99
11	Afvoer	100
12	Technische gegevens	100

1 Verklaring van de symbolen

**WAARSCHUWING!**

Veiligheidsaanwijzing: Het niet naleven kan leiden tot overlijden of ernstig letsel.

**VOORZICHTIG!**

Veiligheidsaanwijzing: Het niet naleven kan leiden tot letsel.

**LET OP!**

Het niet naleven ervan kan leiden tot materiële schade en de werking van het product beperken.

**INSTRUCTIE**

Aanvullende informatie voor het bedienen van het product.

2 Veiligheids- en montage-instructies

Neem de veiligheidsinstructies en voorschriften van de fabrikant van het voertuig en het garagebedrijf in acht!

De fabrikant kan in de volgende gevallen niet aansprakelijk worden gesteld voor schade:

- montage- of aansluitfouten
- beschadiging van het product door mechanische invloeden en overspanningen
- veranderingen aan het product zonder uitdrukkelijke toestemming van de fabrikant
- gebruik voor andere dan de in de handleiding beschreven toepassingen

Neem daarom de volgende instructies in acht:

- In verband met kortsluitingsgevaar moet voor werkzaamheden aan het elektrische systeem van het voertuig altijd de minpool worden losgekoppeld. Bij voertuigen met een extra accu moet ook hier de minpool worden losgekoppeld.

- Ontoereikende leidingverbindingen kunnen tot gevolg hebben, dat door kortsluiting
 - kabelbranden ontstaan,
 - de airbag wordt geactiveerd,
 - elektronische besturingsinrichtingen worden beschadigd,
 - elektrische functies uitvallen (knipperlicht, remlicht, claxon, contact, licht).
- Gebruik bij werkzaamheden aan de volgende leidingen alleen geïsoleerde kabelschoenen, stekkers en vlaksteker-kabelschoenen:
 - 30 (ingang van accu plus direct),
 - 15 (geschakelde plus, achter accu),
 - 31 (retourleiding vanaf accu, massa).
 - 58 (achteruitrijlicht).

Gebruik **geen** kroonsteentjes.

- Gebruik een krimptang (afb. **1** 10, pagina 2) voor het verbinden van de kabels.
- Schroef de kabel bij aansluitingen aan leiding 31 (massa)
 - met kabelschoen en tandschijf aan een massaschroef van het voertuig of
 - met kabelschoen en plaatschroef aan de carrosserie.

Let op een goede massaverbinding!

Bij het loskoppelen van de minpool van de accu verliezen alle vluchtige geheugens van de elektronica voor comfortvoorzieningen de opgeslagen data.

- De volgende data moet u afhankelijk van de voertuiguitrusting opnieuw instellen:
 - radiocode
 - voertuigklok
 - tijdschakelklok
 - boordcomputer
 - stoelinstelling

Instructies voor het instellen vindt u in de betreffende gebruiksaanwijzing.

Neem bij de montage de volgende instructies in acht:

- Bevestig de in het voertuig te monteren delen van de camera zodanig, dat deze in geen geval (hard remmen, verkeersongeval) los kunnen raken en tot **verwondingen bij de inzittenden van het voertuig** kunnen leiden.
- Bevestig onderdelen, die afgedekt onder bekledingen moeten worden aangebracht, zodanig dat ze niet losraken of andere onderdelen en leidingen beschadigen en geen functies van het voertuig (besturing, pedalen etc.) kunnen beperken.

- Let er bij het boren op dat er ook achter het te doorboren oppervlak genoeg ruimte is voor de boor, zo kunt u schade voorkomen (afb. **2**, pagina 3).
- Ontbraam elk boorgat en behandel de boorgaten met antiroestmiddel.
- Neem altijd de veiligheidsinstructies van de fabrikant van het voertuig in acht. Een paar werkzaamheden (b. v. aan beveiligingssysteem zoals AIRBAG etc.) mogen alleen door geschoolde vaklui uitgevoerd worden.

Neem bij werkzaamheden aan elektrische onderdelen de volgende instructies in acht:

- Gebruik voor het controleren van de spanning in elektrische leidingen alleen een diodetestlamp (afb. **1** 8, pagina 2) of een voltmeter (afb. **1** 9, pagina 2). Testlampen met een gangbare lamp (afb. **1** 12, pagina 2) gebruiken te veel stroom, hierdoor kan de elektronica in het voertuig worden beschadigd.
- Let er bij het leggen van de elektrische aansluitingen op dat deze
 - niet worden geknikt of verdraaid,
 - niet langs randen schuren,
 - niet zonder bescherming door doorvoeren met scherpe randen worden gelegd (afb. **3**, pagina 3).
- Isoleer alle verbindingen en aansluitingen.
- Borg de kabels tegen mechanische belasting met kabelbinders of isolatieband, b. v. aan de aanwezige leidingen.

De camera is waterdicht. De afdichtingen van de camera beschermen echter niet tegen een hogedrukreiniger (afb. **4**, pagina 3). Neem daarom de volgende instructies voor de omgang met de camera in acht:

- Personen (ook kinderen) die door hun fysieke, sensorische of geestelijke vaardigheden, of hun onervarenheid of onwetendheid niet in staat zijn om het product veilig te gebruiken, mogen dit niet zonder toezicht of instructie door een verantwoordelijke persoon doen.
- Open de camera niet, aangezien hierdoor de dichtheid en werking van de camera beperkt kunnen worden (afb. **5**, pagina 3).
- Trek niet aan de kabels, aangezien hierdoor de dichtheid en werking van de camera beperkt kunnen worden (afb. **6**, pagina 3).
- De camera is niet voor gebruik onder water geschikt (afb. **7**, pagina 3).

3 Omvang van de levering

Nr. in afb. 8 , pagina 4	Aantal	Omschrijving	Artikel-nr.
1	1	Kleurencamera CAM55 Kleurencamera CAM55W	9600000555 9600000556
2	1	Camerahouder	
3	2	Zijafdekkingen	
4	1	Verlengkabels	9600000208

4 Toebehoren

Ale toebehoren verkrijgbaar (niet in de leveringsomvang inbegrepen):

Omschrijving	Artikel-nr.
Verlengkabel 5 m	9600000206
Verlengkabel 10 m	9600000207
Verlengkabel 20 m	9600000208
Spiraalkabel voor gebruik met aanhangwagen SPK170	9600000235

5 Reglementair gebruik

De CMOS kleurencamera CAM55 (artikelnr. 9600000555) en CAM55W (artikelnr. 9600000556) zijn vooral voor gebruik in voertuigen bedoeld. Ze kunnen worden geïntegreerd in videosystemen die voor het bereik rond het voertuig vanuit de bestuurdersstoel worden bediend, bijvoorbeeld tijdens rangeren of parkeren.



WAARSCHUWING!

Gevaar voor lichamelijk letsel door het voertuig.

Achteruitrijvideosystemen vormen een hulp bij het achteruitrijden, ze ontslaan u echter **niet** van **de bijzondere aandachtsplicht bij het achteruitrijden**.

6 Technische beschrijving

De camera met geïntegreerde microfoon is in een behuizing van aluminium ondergebracht en brengt beeld en geluid via een kabel naar een monitor over. Door de infrarood-LED's wordt het nachtzicht verbeterd.

De camera geeft het beeld weer alsof u in de achteruigkijkspiegel kijkt.

De camera bestaat o.a. uit de volgende elementen:

Nr. in afb. 9, pagina 4	Omschrijving
1	6-polige aansluitkabel
2	Infrarood LED's
3	Microfoon

7 Instructies voor de elektrische aansluiting

7.1 Kabels aanleggen



LET OP! Gevaar voor beschadiging!

- Als u gaten boort, controleer dan voordien of er voldoende vrije ruimte voor de boor voorhanden is.
- Niet vakkundig aanleggen of verbinden van kabels leidt steeds weer tot storingen of beschadigingen van onderdelen. Het correct aanleggen en verbinden van kabels is een voorwaarde voor een duurzame en storingsvrije werking van de later aangebouwde componenten.
- De kabels mogen niet lang met oplosmiddelen zoals b. v. benzine in aanraking komen, omdat oplosmiddelen de kabels beschadigen.

Neem daarom de volgende instructies in acht:

- Gebruik voor de doorvoer van de aansluitkabels indien mogelijk originele doorvoeren of andere doorvoermogelijkheden, zoals b. v. bekledingsranden, ventilatieroosters of blinde schakelaars. Als er geen doorvoeren voorhanden zijn, moet u voor de betreffende kabels bijbehorende gaten boren. Controleer van tevoren of er voldoende ruimte is voor de boor aan de achterkant.

- Leg de kabels indien mogelijk altijd binnen in het voertuig aan, want daar zijn ze beter beschermd dan buiten op het voertuig.
Als u de kabels desondanks buiten op het voertuig aanlegt, let dan op een veilige bevestiging (door extra kabelbinders, isolatieband etc.).
- Houd bij het aanleggen van de kabels altijd voldoende afstand met hete en bewegende voertuigonderdelen (uitlaatpijpen, aandrijfassen, dynamo, ventilatoren, verwarming etc.) om beschadigingen aan de kabel te vermijden. Gebruik voor de mechanische bescherming ribbelbuis of dergelijke beschermingsmaterialen.
- Schroef de steekverbindingen van de verbindingskabels ter bescherming tegen het indringen van water (afb. **17**, pagina 6) vast.
- Let er bij het leggen van de kabels op dat deze
 - niet te zeer worden geknikt of verdraaid,
 - niet langs randen schuren,
 - niet zonder bescherming door doorvoeren met scherpe randen worden gelegd (afb. **3**, pagina 3).
- Bevestig de kabel veilig in het voertuig om verstrikken (gevaar om te vallen) te vermijden. Dit kan gebeuren door kabelbinders, isolatieband of door vastplakken met lijm.
- Bescherm iedere doorvoer aan de buitenkant d.m.v. geschikte maatregelen tegen het binnendringen van water, b. v. door de kabel met afdichtingspasta aan te brengen en door de kabel en de doorvoertule in te spuiten met afdichtingspasta.

**INSTRUCTIE**

Begin met het afdichten van de doorvoeren pas, nadat alle instelwerkzaamheden aan de camera zijn afgesloten en de benodigde lengtes van de aansluitkabels vastliggen.

8 Camera monteren

8.1 Benodigd gereedschap

Voor **inbouw en montage** heeft u de volgende gereedschappen nodig:

- Set boren (afb. **1** 1, pagina 2)
- Boormachine (afb. **1** 2, pagina 2)
- Schroevendraaier (afb. **1** 3, pagina 2)
- Set ring- of steeksleutels (afb. **1** 4, pagina 2)
- Maatstaf (afb. **1** 5, pagina 2)
- Hamer (afb. **1** 6, pagina 2)
- Center (afb. **1** 7, pagina 2)

Voor de **elektrische aansluiting** en de controle daarvan heeft u de volgende hulpmiddelen nodig:

- Diodetestlamp (afb. **1** 8, pagina 2) of voltmeter (afb. **1** 9, pagina 2)
- Isolatieband (afb. **1** 11, pagina 2)
- Evt. kabeldoorvoertulen

Voor het **bevestigen van de kabels** hebt u evt. nog meer kabelbinders nodig.

8.2 Camera monteren



VOORZICHTIG!

Kies de plaats van de camera zo en bevestig hem zo vast, dat in geen geval in de buurt staande personen gewond kunnen raken, b. v. omdat over het dak van het voertuig strijkende takken de camera afbreken.



INSTRUCTIE

Als door de aanbouw van de camera de voertuighoogte of voertuiglengte zoals aangegeven in de voertuigpapieren wordt veranderd, moet er een nieuwe inspectie door de betreffende instanties plaatsvinden (in Duitsland: TÜV, DEKRA etc.).

Laat de nieuwe inspectie door de betreffende dienst voor wegverkeer in de voertuigpapieren zetten.

Neem bij de montage de volgende instructies in acht:

- Breng de camera voor een goed perspectief op minstens twee meter hoogte aan.
Zorg bij de montage voor een voldoende stevige werkplek.
- Let erop, dat de montageplaats van de camera stevig genoeg is (er kunnen b. v. takken die tegen het dak komen, verstrikt raken in de camera).
- Monteer de camerahouder horizontaal en centraal achteraan het voertuig (afb. **10**, pagina 5).
- De veiligste manier van bevestigen zijn schroeven die door de opbouw gaan. Neem hierbij de volgende instructies in acht:
 - Achter de gekozen montagepositie moet voldoende vrije ruimte voor de montage voorhanden zijn.
 - Elke doorvoer moet door geschikte maatregelen tegen binnenkomend water beschermd moet worden (b. v. door het aanbrengen van de schroeven met afdichtingspasta en/of door de buitenste bevestigingsonderdelen met afdichtingspasta in te spuiten).
 - De opbouw aan de bevestigingsplaats moet voldoende stevigheid bieden, zodat de camerahouder voldoende stevig vastgedraaid kan worden.
- Controleer van tevoren, of er voldoende ruimte is voor de boor aan de achterkant (afb. **2**, pagina 3).
- Als u niet zeker bent over de door u gekozen montageplaats, neem dan contact op met de fabrikant van de opbouw of een vertegenwoordiger hiervan.



INSTRUCTIE

Om corrosie van de schroeven te minimaliseren wordt aanbevolen de schroefdraad in te vetten.

Ga bij de montage als volgt te werk:

- Houd de camerahouder op de gekozen montageplaats en markeer minstens 2 verschillende boorpunten (afb. **11**, pagina 5).
- Maak op de voordien gemarkeerde punten met hamer en center een gaatje om het verlopen van de boor te verhinderen.

Als u de camera met plaatschroeven wilt aanbrengen (afb. 12, pagina 5)**LET OP! Gevaar voor beschadiging!**

De bevestiging met plaatschroeven mag alleen in stalen platen met een minimumdikte van 1,5 mm gebeuren.

- Boor in de voordien gemarkeerde punten telkens een gat van \varnothing 2 mm.
- Ontbraam alle boorgaten en behandel ze met antiroestmiddel.
- Schroef de camerahouder vast met plaatschroeven van 4 x 10 mm.

Als u de camera met tapschroeven door de opbouw wilt bevestigen (afb. 13, pagina 5)**LET OP! Gevaar voor beschadiging!**

Zorg ervoor dat de moeren bij het vastdraaien niet door de opbouw kunnen trekken.

Gebruik evt. grotere onderlegschijven of platen.

- Boor in de voordien gemarkeerde punten telkens een gat van \varnothing 6,5 mm.
- Ontbraam alle boorgaten en behandel ze met antiroestmiddel.
- Breng de camerahouder met de tapschroeven M6 x 20 mm aan.
De lengte van de tapschroeven is afhankelijk van de dikte van de opbouw.

Doorvoer voor de aansluitkabel van de camera maken (afb. 14, pagina 5)**INSTRUCTIE**

Gebruik voor de doorvoer van de aansluitkabels indien mogelijk reeds aanwezige doorvoermogelijkheden, b. v. ventilatioerosters. Als er geen doorvoeren zijn, moet u een gat van \varnothing 16 mm boren.

**LET OP! Gevaar voor beschadiging!**

Controleer van tevoren of er voldoende ruimte is voor de boor aan de achterkant.

- Boor in de buurt van de camera een gat van \varnothing 16 mm.
- Ontbraam alle boorgaten, die in een metalen plaat zijn gemaakt en behandel ze met antiroestmiddel.
- Voorzie alle doorvoeren met scherpe randen van een doorvoertule.

Camera monteren



LET OP! Beschadigingsgevaar!

Gebruik voor de montage van de camera alleen de bijgeleverde schroeven. Langere schroeven beschadigen de camera.

- Schuif de camera in de camerahouder.
- Bevestig de camera **los** met de twee schroeven M4 x 6 mm in de gaten aan de zijdelingse gaten (afb. **15**, pagina 5).
- Richt de camera voorlopig zo uit dat het objectief een hoek van ca. 50° t.o.v. de verticale as van het voertuig vormt (afb. **16**, pagina 6).

Camera elektrisch aansluiten



INSTRUCTIE

- Plaats de camerakabel zodanig, dat u bij een eventueel noodzakelijke uitbouw van de camera makkelijk bij de stekerverbinding tussen camera en verlengkabel kunt komen. De demontage wordt daardoor aanzienlijk vereenvoudigd.
- Om corrosie in de stekker te minimaliseren, adviseren wij om een beetje vet, b. v. poolvet in een van de stekkers aan te brengen.
- Indien nodig zijn er verdere verlengkabels verkrijgbaar (zie hoofdstuk „Toebehoren“ op pagina 92).

- Leid de camerakabel in het voertuig.
- Steek de stekker van de camerakabel in de stekkerbus van de verlengkabel.
- Schroef de steekverbindingen van de verbindingkabels ter bescherming tegen het indringen van water (afb. **17**, pagina 6) vast.

Camera uitrichten



INSTRUCTIE

Voor het uitrichten van de camera moet u evt. eerst nog een monitor monteren en elektrisch aansluiten (zie principeaansluitschema afb. **18**, pagina 6).

- Richt de camera aan de hand van het monitorbeeld uit:
het monitorbeeld moet aan de onderste beeldrand de achterkant of de bumper van uw voertuig weergeven. Het midden van de bumper moet ook in het midden van het monitorbeeld zijn (afb. **19**, pagina 6).
- Controleer de werking van de camera nadat u ze aan een monitor aangesloten hebt.

Camera bevestigen

- Draai de beide bevestigingsschroeven in de zijdelingse gaten van de camerahouder vast.
- Klik de zijafdekkingen in de hiervoor bedoelde zijdelingse openingen (afb. **20**, pagina 7) en bevestig deze met een draaibeweging.
- Voor het verwijderen van de zijafdekkingen leidt u twee stompe, platte voorwerpen in de hiervoor bedoelde openingen tegen de afdekkingen en verdraait deze.

9 Camera onderhouden en reinigen



LET OP! Gevaar voor beschadiging!

Voor het reinigen geen scherpe of bijtende middelen gebruiken, omdat dit kan leiden tot schade aan de toestellen.

- Reinig de camera af en toe met een zachte, vochtige doek.

10 Garantie

De wettelijke garantieperiode is van toepassing. Als het product defect is, wendt u zich tot het filiaal van de fabrikant in uw land (adressen zie achterkant van de handleiding) of tot uw speciaalzaak.

Voor de afhandeling van de reparatie of garantie dient u het volgende mee op te sturen:

- defecte onderdelen,
- een kopie van de factuur met datum van aankoop,
- reden van de klacht of een beschrijving van de storing.

11 Afvoer

► Laat het verpakkingsmateriaal indien mogelijk recyclen.



Als u het product definitief buiten bedrijf stelt, informeer dan bij het dichtstbijzijnde recyclingcentrum of uw speciaalzaak naar de betreffende afvoervoorschriften.

12 Technische gegevens

	PerfectView CAM55	PerfectView CAM55W
Artikelnr.:	9600000555	9600000556
Beeldsensor:	1/4" CMOS	
Beeldpunten:	640 (H) x 480 (V)	
Videostandaard:	PAL, 1 Vpp	
Gevoeligheid:	< 1 lux / 0 lux met infrarood-LED's	
Perspectief:	ca. 120° diagonaal ca. 100° horizontaal ca. 70° vertikaal	
Bedrijfsspanning:	10 – 32 V $\overline{=}$	
Verbruik:	max. 4,1 W	
Bedrijfstemperatuur:	-30 °C tot +70 °C	
Beschermingsklasse:	IP69K	
Vibratievastheid:	10 g	
Afmetingen b x h x d (met houder):	80 x 50 x 62 mm	
Gewicht:	ca. 165 g	

Certificaties

Het toestel heeft het E13-certificaat.



Læs denne vejledning omhyggeligt igennem før installation og ibrugtagning, og opbevar den. Giv den til brugeren, hvis du giver produktet videre.

Indholdsfortegnelse

1	Forklaring af symbolerne	102
2	Sikkerheds- og installationshenvisninger	102
3	Leveringsomfang	105
4	Tilbehør	105
5	Korrekt brug	105
6	Teknisk beskrivelse	106
7	Henvisninger til den elektriske tilslutning	106
8	Montering af kameraet	108
9	Vedligeholdelse og rengøring af kameraet	112
10	Garanti	112
11	Bortskaffelse	112
12	Tekniske data	113

1 Forklaring af symbolerne

**ADVARSEL!**

Sikkerhedshenvisning: Manglende overholdelse kan medføre død eller alvorlig kvæstelse.

**FORSIGTIG!**

Sikkerhedshenvisning: Manglende overholdelse kan medføre kvæstelser.

**VIGTIGT!**

Manglende overholdelse kan medføre materielle skader og begrænse produktets funktion.

**BEMÆRK**

Supplerende informationer om betjening af produktet.

2 Sikkerheds- og installations-henvisninger

Overhold sikkerhedshenvisningerne og pålæggene, der er foreskrevet af køretøjsproducenten og af automobilbranchen.

Producenten påtager sig intet ansvar for skader i følgende tilfælde:

- Monterings- eller tilslutningsfejl
- Beskadigelser på produktet på grund af mekanisk påvirkning og overspænding
- Ændringer på produktet uden udtrykkelig tilladelse fra producenten
- Anvendelse til andre formål end dem, der er beskrevet i vejledningen

Overhold derfor følgende henvisninger:

- Afbryd på grund af faren for kortslutning altid minuspolen før arbejder på køretøjets el-system.
Ved køretøjer med ekstra batteri skal du også afbryde minuspolen på dette batteri.

- Utilstrækkelige ledningsforbindelser kan føre til, at en kortslutning
 - fører til kabelbrand,
 - udløser airbaggen,
 - beskadiger elektroniske styreanordninger,
 - forårsager, at elektriske funktioner svigter (blinklys, bremselys, horn, tænding, lys).
- Anvend kun isolerede kabelsko, stik og fladstiksmuffer ved arbejder på de følgende ledninger:
 - 30 (indgang på batteri plus direkte)
 - 15 (tilkoblet plus, bag batteri)
 - 31 (tilbageføring fra batteri, stel)
 - 58 (baklygte)

Anvend **ikke** kronemuffer.

- Anvend en krympetang (fig. **1** 10, side 2) til at forbinde kablerne.
- Skru ved tilslutninger til ledning 31 (stel) kablet
 - på en køretøjsegnet stelskrue ved hjælp af kabelsko og tandskive eller
 - på karosseripladen ved hjælp af kabelsko og pladeskrue.

Sørg for god stelforbindelse!

Når batteriets minuspol afbrydes, mister alle komfortelektronikkens flygtige lagre de gemte data.

- Afhængigt af køretøjets udstyr skal du indstille følgende data igen:
 - Radiokode
 - Køretøjets ur
 - Kontaktur
 - Køretøjets computer
 - Sædeposition

Henvisninger til indstillingen findes i den pågældende betjeningsvejledning.

Overhold følgende henvisninger ved monteringen:

- Fastgør de dele af kameraet, der er monteret i køretøjet, så de under ingen omstændigheder (hård opbremsning, trafikuheld) løsner sig og kan føre til **kvæstelse af dem, der sidder i køretøjet**.
- Fastgør de af systemets dele, der skal monteres skjult under beklædningerne, så de ikke kan løsne sig, beskadige andre dele og ledninger og begrænse køretøjets funktioner (styring, pedaler osv.).
- For at undgå skader, når du borer, skal du sørge for tilstrækkeligt frirum, hvor boret kommer ud (fig. **2**, side 3).

- Fjern grater fra hvert hul, og behandl dem med rustbeskyttelsesmiddel.
- Læs altid sikkerhedshenvisningerne fra køretøjets producent. Nogle arbejder (f.eks. på fastholdelsessystemer som AIRBAG osv.) må kun foretages af uddannet fagpersonale.

Overhold følgende henvisninger ved arbejde på elektriske dele:

- Anvend kun en diodetestlampe (fig. **1** 8, side 2) eller et voltmeter (fig. **1** 9, side 2) til spændingskontrol i elektriske ledninger. Testlamper (fig. **1** 12, side 2) med et lyselement optager for høj strøm. Derved kan køretøjets elektronik beskadiges.
- Når de elektriske tilslutninger etableres, skal det sikres, at de
 - ikke knækkes eller snos,
 - ikke skurer mod kanter,
 - ikke trækkes uden beskyttelse mod gennemføringer med skarpe kanter (fig. **3**, side 3).
- Isolér alle forbindelser og tilslutninger.
- Sørg for at sikre kablerne mod mekanisk belastning ved hjælp af kabelbindere eller isoleringsbånd, f.eks. på eksisterende ledninger.

Kameraet er vandtæt. Kameraets tætninger må dog ikke udsættes for en højtryksrensning (fig. **4**, side 3). Overhold derfor følgende henvisninger til omgang med kameraet:

- Personer (inkl. børn), der på grund af deres fysiske, sanse- eller mentale evner eller deres uerfarenhed eller uvidenhed ikke er i stand til at anvende produktet sikkert, bør kun anvende dette produkt under en ansvarlig persons opsyn eller anvisning
- Åbn ikke kameraet, da det reducerer dets tæthed og funktionsevne (fig. **5**, side 3).
- Træk ikke i kablerne, da det reducerer kameraets tæthed og funktionsevne (fig. **6**, side 3).
- Kameraet er ikke egnet til anvendelse under vand (fig. **7**, side 3).

3 Leveringsomfang

Nr. på fig. 8 , side 4	Mængde	Betegnelse	Artikel-nr.
1	1	Farvekamera CAM55	9600000555
		Farvekamera CAM55W	9600000556
2	1	Kameraholder	
3	2	Sideafdækninger	
4	1	Forlænger kabler	9600000208

4 Tilbehør

Kan fås som tilbehør (ikke indeholdt i leveringsomfanget):

Betegnelse	Artikel-nr.
Forlænger kabel 5 m	9600000206
Forlænger kabel 10 m	9600000207
Forlænger kabel 20 m	9600000208
Spiralkabel til anhængere SPK170	9600000235

5 Korrekt brug

CMOS-farvekameraerne CAM55 (art.nr. 9600000555) og CAM55W (art.nr. 9600000556) er primært tiltænkt til brug i køretøjer. De kan anvendes i video-systemer, der anvendes til at iagttage området omkring køretøjet fra førersædet, f.eks. når der rangeres eller parkeres.



ADVARSEL!

Fare for personskader på grund af køretøjet.

Bakkamerasystemer er en støtte, når der bakket, men de fritager dig **ikke** fra **din pligt til at udvise særlig forsigtighed, når du bakker.**

6 Teknisk beskrivelse

Kameraet med integreret mikrofon er placeret i et aluminiumskabinet og overfører billede og lyd til en monitor via et kabel. Med de infrarøde lysdioder forbedres natindstillingen.

Kameraet overfører billedet, som om du ser i bakspejlet.

Kameraet består bl.a. af følgende elementer:

Nr. på fig. 9, side 4	Betegnelse
1	Tilslutningskabel med 6 ledere
2	Infrarøde lysdioder
3	Mikrofon

7 Henvisninger til den elektriske tilslutning

7.1 Trækning af kabler



VIGTIGT! Fare for beskadigelse!

- Hvis du borer huller, skal du forinden kontrollere, om der er tilstrækkeligt frirum, hvor boret kommer ud.
- Kabelføringer og kabelforbindelser, der ikke er korrekte, fører igen og igen til fejlfunktioner ved eller beskadigelser på komponenter. En korrekt kabelføring og kabelforbindelse er grundforudsætningen for, at de monterede komponenter fungerer konstant og fejlfrit.
- Kablerne må ikke komme i berøring med opløsningsmidler, som f.eks. benzin, i længere tid, da opløsningsmidler ville beskadige kablerne.

Overhold derfor følgende henvisninger:

- Anvend originale gennemføringer eller andre gennemføringsmuligheder, f.eks. beklædningskanter, ventilationsgitter eller blindstik, til gennemføringen af tilslutningskablerne. Hvis der ikke findes gennemføringer, skal du bore huller til de pågældende kabler. Kontrollér først, om der er tilstrækkeligt frirum, hvor boret kommer ud.

- Hvis det er muligt, skal kablerne altid trækkes inde i køretøjet. Dét er de bedre beskyttet end uden på køretøjet.
Hvis du alligevel trækker kablerne uden på køretøjet, skal de fastgøres sikkert (med ekstra kabelbindere, isoleringsbånd osv.).
- For at undgå, at kablet beskadiges, skal der altid være tilstrækkelig afstand til dele på køretøjet, der er varme eller bevæger sig (udstødningsrør, drivakslar, dynamo, ventilatorer, varmeapparater osv.). Anvend bølgerør eller lignende beskyttelsesmaterialer til mekanisk beskyttelse.
- Skru forbindelseskablenes stikforbindelser sammen for at beskytte dem mod, at der trænger vand ind (fig. **17**, side 6).
- Når kablerne trækkes, skal det sikres, at de
 - ikke knækkes eller snos kraftigt,
 - ikke skurer mod kanter,
 - ikke trækkes uden beskyttelse mod gennemføringer med skarpe kanter (fig. **3**, side 3).
- Fastgør kablerne sikkert inde i køretøjet for at undgå at hænge fast (fare for at falde). Dette kan foretages ved at anvende kabelbindere, isoleringsbånd eller ved fastklæbning med klæbemiddel.
- Beskyt hver gennemføring i karosseriets yderbeklædning mod indtrængende vand ved hjælp af egnede forholdsregler, f.eks. ved at isætte kablet med tætningsmasse og ved at sprøjte tætningsmasse på kablet og gennemføringsmuffen.

**BEMÆRK**

Begynd først at tætn gennemføringerne, når alle indstillingsarbejder på kameraet er afsluttet, og de nødvendige længder for tilslutningskablerne er bestemt.

8 Montering af kameraet

8.1 Nødvendigt værktøj

Til **installation og montering** har du brug for følgende værktøj:

- Sæt bor (fig. **1** 1, side 2)
- Boremaskine (fig. **1** 2, side 2)
- Skruetrækker (fig. **1** 3, side 2)
- Sæt ring- eller gaffelnøgler (fig. **1** 4, side 2)
- Målestok (fig. **1** 5, side 2)
- Hammer (fig. **1** 6, side 2)
- Kørner (fig. **1** 7, side 2)

Til den **elektriske tilslutning** og kontrollen af den har du brug for følgende hjælpemidler:

- Diodetestlampe (fig. **1** 8, side 2) eller voltmeter (fig. **1** 9, side 2)
- Isoleringsbånd (fig. **1** 11, side 2)
- Evt. kabelgennemføringsmuffer

Til **fastgørelse af kablerne** har du evt. brug for yderligere kabelbindere.

8.2 Montering af kameraet



FORSIGTIG!

Vælg pladsen for kameraet, og fastgør det så sikkert, at personer, der står i nærheden, under ingen omstændigheder kan komme til skade, f.eks. på grund af grene, der fejer hen over køretøjets tag og river kameraet ned.



BEMÆRK

Hvis køretøjets højde eller længde, der er noteret i indregistreringspapirerne, ændres, når kameraet monteres, skal den ansvarlige myndighed (TÜV, DEKRA osv.) foretage en ny godkendelse. Lad den ansvarlige myndighed notere den nye godkendelse i indregistreringspapirerne.

Overhold følgende henvisninger ved monteringen:

- Placér af hensyn til en fornuftig synsvinkel kameraet i mindst to meters højde. Sørg for en tilstrækkelig stabil arbejdsplads ved monteringen.
- Kontrollér, at monteringsstedet for kameraet er tilstrækkeligt stabilt (f.eks. kan grene, der fejer hen over køretøjets tag, blive fanget i kameraet).
- Montér kameraholderen vandret og i midten bag på køretøjet (fig. **10**, side 5).
- Den sikreste fastgørelse er skruer, der går gennem karosseriet. Overhold i den forbindelse følgende henvisninger:
 - Bag den valgte monteringsposition skal der være tilstrækkeligt frirum til monteringen.
 - Hver gennemføring skal beskyttes mod indtrængende vand ved hjælp af egnede forholdsregler (f.eks. ved at isætte skruer med tætningsmasse og/eller ved at sprøjte tætningsmasse på de ydre fastgørelsesdele).
 - Karosseriet på fastgørelsesstedet skal være tilstrækkeligt stabilt, så kameraholderen kan spændes tilstrækkeligt fast.
- Kontrollér først, om der er tilstrækkeligt frirum, hvor boret kommer ud (fig. **2**, side 3).
- Hvis du er i tvivl om monteringsstedet, som du har valgt, skal du kontakte karosseriproducenten eller forhandleren.

**BEMÆRK**

Smør fedt på gevindene for at begrænse korrosion på skruerne.

Gå frem på følgende måde ved monteringen:

- Hold kameraholderen på det valgte monteringssted, og markér mindst to forskellige borepunkter (fig. **11**, side 5).
- Sørg for at kørne de tegnede punkter først med hammer og kørner for at undgå, at boret løber skævt.

Hvis du vil skruer kameraet fast med pladeskruer (fig. **12, side 5)****VIGTIGT! Fare for beskadigelse!**

Fastgørelsen med pladeskruer må kun foretages i stålplader med en minimumtykkelse på 1,5 mm.

- Bor et hul på Ø 2 mm ved hver af de tegnede punkter.
- Fjern grater fra alle huller, og påfør rustbeskyttelse.
- Skru kameraholderen på med pladeskruerne i str. 4 x 10 mm.

Hvis du vil fastgøre kameraet med gevindskruerne gennem karosseriet (fig. 13, side 5)



VIGTIGT! Fare for beskadigelse!

Kontrollér, at møtrikkerne ikke kan trækkes gennem karosseriet, når de spændes.

Anvend evt. større spændeskiver eller plader.

- Bor et hul på Ø 6,5 mm ved hver af de tegnede punkter.
- Fjern grater fra alle huller, og påfør rustbeskyttelse.
- Skru kameraholderen på med gevindskruerne M6 x 20 mm.
Afhængigt af karosseriets tykkelse skal du evt. bruge længere gevindskruer.

Etablering af gennemføring til kameraets tilslutningskabel (fig. 14, side 5)



BEMÆRK

Anvend så vidt muligt eksisterende gennemføringsmuligheder, f.eks. ventilationsgitre, til gennemføring af tilslutningskablerne. Hvis der ikke er gennemføringer til rådighed, skal du bore et hul på Ø 16 mm.



VIGTIGT! Fare for beskadigelse!

Kontrollér først, om der er tilstrækkeligt frirum, hvor boret kommer ud.

- Bor et hul på Ø 16 mm i nærheden af kameraet.
- Fjern grater fra alle huller, der er boret i pladen, og påfør rustbeskyttelse.
- Sæt en gennemføringsmuffe i alle gennemføringer med skarpe kanter.

Montering af kameraet



VIGTIGT! Fare for beskadigelse!

Anvend kun de vedlagte skruer til at montere kameraet. Længere skruer beskadiger kameraet.

- Skub kameraet ind i kameraholderen.
- Fastgør kameraet **løst** i hullerne på siden med de to skruer M4 x 6 mm (fig. 15, side 5).
- Indstil kameraet provisorisk, så objektivet danner en vinkel på ca. 50° i forhold til køretøjets lodrette akse (fig. 16, side 6).

Elektrisk tilslutning af kameraet



BEMÆRK

- Træk kamerakablet, så du nemt kan nå stikforbindelsen mellem kamera og forlængerkabel, hvis det evt. bliver nødvendigt at afmontere kameraet. Afmonteringen gøres derved betydeligt enklere.
- Smør lidt fedt, f.eks. polfedt, i et af stikkene for at begrænse korrosion i stikket.
- Ved behov kan der bestilles yderligere forlængerkabler (se kapitlet „Tilbehør“ på side 105).

- Træk kamerakablet inde i køretøjet.
- Sæt kamerakablets stik i forlængerkablets bøsning.
- Skru forbindelseskablernes stikforbindelser sammen for at beskytte dem mod, at der trænger vand ind (fig. **17**, side 6).

Indstilling af kameraet



BEMÆRK

For at indstille kameraet skal du evt. først montere endnu en monitor og tilslutte den elektrisk (se principielt strømskema fig. **18**, side 6).

- Indstil kameraet ved hjælp af monitorbilledet:
Monitorbilledet skal på billedets nederste kant vise bagenden eller kofangeren på køretøjet. Midten af kofangeren skal også være midt i monitorbilledet (fig. **19**, side 6).
- Kontrollér, at kameraet fungerer, når du har tilsluttet det til en monitor.

Fastgørelse af kameraet

- Spænd de to fastgørelsesskruer fast i kameraholderens huller på siden.
- Klik sideafdækningerne ind i de pågældende åbninger i siden (fig. **20**, side 7), og fastgør dem med en drejebevægelse.
- For fjerne sideafdækningerne skal du føre to stumppe, flade genstande ind i de pågældende på afdækningerne, og drej dem.

9 Vedligeholdelse og rengøring af kameraet



VIGTIGT! Fare for beskadigelse!

Anvend ikke skarpe eller hårde midler til rengøring, da det kan beskadige apparaterne.

- Rengør af og til kameraet med en blød, fugtig klud.

10 Garanti

Den lovbestemte garantiperiode gælder. Hvis produktet er defekt, skal du kontakte producentens afdeling i dit land (adresser, se vejledningens bagside) eller din forhandler.

Ved reparation eller krav om garanti skal du indsende følgende:

- Defekte komponenter
- En kopi af regningen med købsdato
- En reklameringsgrund eller en fejlbeskrivelse

11 Bortskaffelse

- Bortskaf så vidt muligt emballagen sammen med det tilsvarende genbrugsaffald.



Hvis du tager produktet endegyldigt ud af drift, skal du kontakte det nærmeste recyclingcenter eller din faghandel for at få de pågældende forskrifter om bortskaffelse.

12 Tekniske data

	PerfectView CAM55	PerfectView CAM55W
Art.nr.:	9600000555	9600000556
Billedsensor:	1/4" CMOS	
Billedpunkter:	640 (H) x 480 (V)	
Videostandard:	PAL, 1 Vpp	
Følsomhed:	< 1 lux / 0 lux med infrarøde lysdioder	
Synsvinkel:	ca. 120° diagonal ca. 100° horisontal ca. 70° vertikal	
Driftsspænding:	10 – 32 V $\overline{=}$	
Forbrug:	maks. 4,1 W	
Driftstemperatur:	–30 °C til +70 °C	
Kapslingsklasse:	IP69K	
Vibrationsstyrke:	10 g	
Mål B x H x D (med holder):	80 x 50 x 62 mm	
Vægt:	ca. 165 g	

Godkendelser

Apparatet har E13-godkendelsen.



Läs igenom anvisningarna noga innan produkten monteras och används. Spara monterings- och bruksanvisningen för senare bruk. Överlämna bruksanvisningen till den nya ägaren vid ev. vidareförsäljning.

Innehållsförteckning

1	Förklaring till symboler	115
2	Säkerhets- och installationsanvisningar	115
3	Leveransomfattning.	117
4	Tillbehör	118
5	Ändamålsenlig användning	118
6	Teknisk beskrivning.	118
7	Information om elektrisk anslutning	119
8	Montera kameran	120
9	Skötsel och rengöring av kameran	124
10	Garanti	124
11	Avfallshantering.	124
12	Tekniska data.	125

1 Förklaring till symboler

**VARNING!**

Observera: Beaktas anvisningen ej kan det leda till dödsfara eller svåra skador.

**AKTA!**

Observera: Beaktas anvisningen ej kan det leda till kroppsskador.

**OBSERVERA!**

Om anvisningarna inte beaktas kan det leda till materialskador och produktens funktion kan påverkas negativt.

**ANVISNING**

Kompletterande information om användning av produkten.

2 Säkerhets- och installationsanvisningar

Beakta säkerhetsanvisningarna och riktlinjerna från fordonstillverkaren samt reglerna för bilmekaniska arbeten!

Tillverkaren övertar inget ansvar för skador i följande fall:

- monterings- eller anslutningsfel
- skador på produkten, orsakade av mekanisk påverkan eller överspänning
- ändringar som utförts utan uttryckligt medgivande från tillverkaren
- ej ändamålsenlig användning

Beakta därför följande anvisningar:

- Koppla alltid från minuspolen i fordonets elsystem innan några arbeten utförs – annars finns risk för kortslutning.
Om fordonet har ett extra batteri måste minuspolen kopplas bort även på detta.
- Ej korrekt utförda anslutningar kan leda till kortslutning, som
 - kan förorsaka kabelbrand,
 - kan utlösa krockkudden,
 - kan skada den elektroniska styrutrustningen,
 - kan leda till att elektriska komponenter inte fungerar (blinkers, bromsljus, signalhorn, tändning, lyse).

- Använd endast isolerade kabelskor, stickkontakter och flathylsor vid arbeten på nedanstående ledningar:
 - 30 (ingång från batteri plus direkt),
 - 15 (tändningsplus, efter batteriet),
 - 31 (ledning från batteriet, jord),
 - 58 (backljus).

Använd **inga** anslutningsplintar.

- Använd en crimptång (bild **1** 10, sida 2) för att förbinda kablarna.
- Skruva, vid anslutningar till ledning 31 (jord),
 - fast kabeln på en jordskruv i fordonet med kabelsko och tandbricka eller
 - på karosseriplåten med kabelsko och plåtskruv.

Se till att jordledningen har god kontakt!

När batteriets minuspol kopplas bort försvinner all data ur komfortelektronikens flyktiga minnen.

- Beroende på fordonsutrustning måste följande data ställas in på nytt:
 - radiokod
 - klocka
 - timer
 - fordonsdator
 - sätesposition

Inställningarna beskrivs i respektive bruksanvisning.

Beakta följande anvisningar vid monteringen:

- Fäst de delar till kameran som monteras inne i fordonet så att de inte kan lossna (t.ex. vid kraftiga bromsningar, trafikolyckor) och **skada personerna i fordonet**.
- Fäst de delar av systemet som monteras under täckplattor el.dyl. på så sätt att de inte kan lossna, eller skada andra delar och ledningar resp. störa några fordonsfunktioner (styrning, pedaler o.s.v.).
- Se till att det finns tillräckligt mycket plats för borrhålen så att inga delar skadas av misstag (bild **2**, sida 3).
- Slipa graderna i borrhålen och behandla hålen med rostskyddsmedel.
- Beakta fordonstillverkarens säkerhetsanvisningar.
Vissa arbeten (t.ex. på säkerhetsutrustningen som AIRBAG o.s.v.) får endast utföras av behörigt fackfolk.

Beakta följande anvisningar vid arbeten på elsystemet:

- Använd endast en diodtestlampa (bild **1** 8, sida 2) eller en voltmeter (bild **1** 9, sida 2) för att testa spänningen i elledningar. Testlampor (bild **1** 12, sida 2) med andra ljuskällor förbrukar för mycket ström och kan på så sätt skada fordonselektroniken.
- Beakta, när elledningar dras, att
 - de inte böjs eller vrids,
 - de inte skaver mot kanter,
 - skydd används om de dras genom genomföringar med vassa kanter (bild **3**, sida 3).
- Isolera alla ledningar och anslutningar.
- Skydda kablarna mot mekanisk belastning genom kabelband eller isoleringsband, t.ex. på befintliga ledningar.

Kameran är vattentät. Kamerans tätningar tål dock inte högtryckstvätt (bild **4**, sida 3). Beakta därför alltid nedanstående:

- Personer (och barn), som på grund av fysiska, sensoriska eller mentala funktionshinder eller på grund av oerfarenhet eller ovetande inte kan använda produkten på ett säkert sätt, bör inte använda denna produkt utan uppsikt eller hjälp av en ansvarig person.
- Öppna inte kameran, det kan inverka negativt på kamerans täthet och funktion (bild **5**, sida 3).
- Dra inte i kablarna, det kan inverka negativt på kamerans täthet och funktion (bild **6**, sida 3).
- Kameran får inte användas under vatten (bild **7**, sida 3).

3 Leveransomfattning

Nr på bild 8 , sida 4	Mängd	Beteckning	Artikel-nr
1	1	Färgkamera CAM55	9600000555
		Färgkamera CAM55W	9600000556
2	1	Kamerafäste	
3	2	Sidoskydd	
4	1	Förlängningskabel	9600000208

4 Tillbehör

Finns som tillbehör (medföljer inte leveransen):

Beteckning	Artikel-nr
Förlängningskabel 5 m	9600000206
Förlängningskabel 10 m	9600000207
Förlängningskabel 20 m	9600000208
Spiralkabel för släpvagnskoppling SPK170	9600000235

5 Ändamålsenlig användning

CMOS-färgkameran CAM55 (art.nr 9600000555) och CAM 55 W (art.nr 9600000556) är kameror som framför allt är avsedda att användas i fordon. De kan användas tillsammans med videosystem för övervakning av området runt om fordonet, t.ex. vid parkering. Övervakningen sker direkt från förarstolen.



VARNING!

Risk för fordonsrelaterade personskador.
Backvideosystem är endast till för att underlätta backningen, d.v.s. **bild 8**, sida 4 föraren måste **alltid** iaktta största försiktighet under backningen.

6 Teknisk beskrivning

Kameran med inbyggd mikrofon har ett aluminiumhölje och överför bild och ljud till en monitor via en kabel. IR-lysdioderna gör det lättare att se i mörker.

Kameran visar bilden på samma sätt som det skulle se ut i backspeglarna.

Kameran består bland annat av följande delar:

Nr på bild 9 , sida 4	Beteckning
1	6-polig anslutningskabel
2	IR-lysdioder
3	Mikrofon

7 Information om elektrisk anslutning

7.1 Kabeldragning



OBSERVERA! Risk för skador!

- När du borrar hål, kontrollera först att det finns tillräckligt mycket plats för borrarpsens.
- Ej fackmässig kabeldragning och kabelanslutning leder ofta till felaktiga funktioner eller skador på komponenterna. Korrekt kabeldragning och anslutning är en nödvändig förutsättning för att komponenterna ska fungera felfritt och länge.
- Kablarna får inte komma i kontakt med lösningsmedel, t.ex. bensin under längre tid; lösningsmedel kan skada kablarna.

Beakta därför följande anvisningar:

- Använd om möjligt originalgenomföringar eller andra genomföringar som t.ex. fogar, ventilationsgaller eller oanvända anslutningar för anslutningskablarna. Om det inte finns lämpliga genomföringar måste man borra hål för kablarna. Kontrollera först att det finns tillräckligt mycket plats för borrarpsens.
- Drag om möjligt alltid kablarna inne i fordonet, där de är bättre skyddade än på utsidan. Om kablarna dras på utsidan: se till att de sätts fast ordentligt (med extra kabelband, isoleringsband o.s.v.).
- Drag inte kablarna tätt intill heta och/eller rörliga delar (avgasrör, drivaxlar, generator, fläkt, värmeaggregat o.s.v.); kablarna kan skadas. Använd korrugerade rör eller liknande skyddsmaterial som mekaniskt skydd.
- Skruva fast anslutningskabelns kontakt för att skydda mot inträngande vatten (bild **17**, sida 6).
- Beakta, när kablarna dras, att
 - de inte böjs eller vrids för mycket,
 - de inte skaver mot kanter,
 - skydd används om de dras genom genomföringar med vassa kanter (bild **3**, sida 3).
- Fäst kabeln säkert i fordonet så att man inte kan fastna i den. Använd t.ex. kabelband, isoleringsband eller lim.
- Skydda borrhål i karosseriet så att det inte kan komma in vatten, t.ex. genom att sätta in kabeln med tätningsmassa och spruta tätningsmassa på kabeln och genomföringen.

**ANVISNING**

Täta genomföringarna först när kameran har riktats och ställts in och kablarnas längd har bestämts.

8 Montera kameran

8.1 Verktyg

För **monteringen** krävs följande verktyg:

- Borrats (bild **1** 1, sida 2)
- Borrmaskin (bild **1** 2, sida 2)
- Skruvmejsel (bild **1** 3, sida 2)
- En sats ringnycklar eller U-nycklar (bild **1** 4, sida 2)
- Måttsticka (bild **1** 5, sida 2)
- Hammare (bild **1** 6, sida 2)
- Körnare (bild **1** 7, sida 2)

För **elanslutningen** och provningen krävs följande hjälpmedel:

- Diod-testlampa (bild **1** 8, sida 2) eller voltmeter (bild **1** 9, sida 2)
- Isoleringsband (bild **1** 11, sida 2)
- Ev. kabelgenomföringshylsor

För **fastsättning av kablarna** krävs ev. ytterligare kabelband.

8.2 Montera kameran

**AKTA!**

Montera kameran på ett ställe där den inte kan utgöra någon fara för personer som upphåller sig i närheten av fordonet, t.ex. om trädgrenar skulle vidröra biltaket och slita loss kameran.

**ANVISNING**

Om fordonets höjd eller längd inte längre stämmer överens med uppgifterna i fordonshandlingarna när kameran har monterats, måste en ny besiktning göras (kontakta Svensk Bilprovning).
Låt ansvarigt ställe skriva in de nya uppgifterna i fordonshandlingarna.

Beakta följande anvisningar vid monteringen:

- För en tillräckligt god synvinkel ska kameran monteras på minst 2 meters höjd. Vid montering av kameran: se till att arbetsplatsen är stabil och säker.
- Se till att kameran monteras stabilt (trädgrenar kan t.ex. fastna i kameran).
- Montera kamerafästet vågrätt och på mitten baktill på fordonet (bild **10**, sida 5).
- Det är säkrast att fästa kameran med skruvar som förs genom påbyggnaden. Beakta följande anvisningar:
 - Kontrollera först att det finns tillräckligt mycket plats för monteringen bakom/under monteringsplatsen.
 - Tänk på att borrhålen/öppningarna ska skyddas mot vatten (t.ex. genom att sätta in skruvarna med tätningssmassa och/eller spruta tätningssmassa på de utvändiga monteringspunkterna).
 - Se till att monteringsstället är stabilt så att kamerafästet kan fästas ordentligt.
- Kontrollera att det finns tillräckligt mycket plats för borrspetsen (bild **2**, sida 3).
- Fråga tillverkaren av vagnen (eller auktoriserad återförsäljare) i tveksamma fall.



ANVISNING

Smörj in gängorna med fett för att minimera rostrisken på skruvarna.

Montering, tillvägagångssätt:

- Håll kamerafästet på valt ställe och markera sedan minst två olika borrhål (bild **11**, sida 5).
- Slå först ett hål i metallen med hammare och körnare, så att borren inte slinter.

Om kameran ska skruvas fast med plåtskruvar (bild **12, sida 5)**



OBSERVERA! Risk för skador!

Plåtskruvarna får endast användas för stålplåt med en tjocklek på minst 1,5 mm.

- Borra \varnothing 2 mm- hål på de markerade punkterna.
- Slipa graderna i borrhålen och behandla hålen med rostskyddsmedel.
- Skruva fast kamerahållaren med plåtskruvar av storlek 4 x 10 mm.

Om kameran ska skruvas fast med gängskruvar i påbyggnaden (bild 13, sida 5)



OBSERVERA! Risk för skador!

Se till att muttrarna inte kan dras igenom plåten.
Använd vid behov större underläggsbrickor eller plåtplattor.

- ▶ Borra \varnothing 6,5 mm- hål på de markerade punkterna.
- ▶ Slipa graderna i borrhålen och behandla hålen med rostskyddsmedel.
- ▶ Skruva fast kamerafästet med gängskruvarna M6 x 20 mm.
Beroende på plåtens tjocklek kan det behövas längre gängskruvar.

Öppning för kamerans anslutningskabel (bild 14, sida 5)



ANVISNING

Använd om möjligt genomföringar som redan finns på plåten, som t.ex. ventilationsgaller. Om det inte finns lämpliga genomföringar: borra ett \varnothing 16 mm- hål.



OBSERVERA! Risk för skador!

Kontrollera först att det finns tillräckligt mycket plats för borrarpeten.

- ▶ Borra ett \varnothing 16 mm-hål i närheten av kameran.
- ▶ Slipa graderna i borrhålen som har borrats i plåten och behandla hålen med rostskyddsmedel.
- ▶ Använd genomföringshylsa för öppningar med vassa kanter.

Montera kameran



OBSERVERA! Risk för skador!

Använd endast de medföljande skruvarna för montering av kameran.
Längre skruvar skadar kameran.

- ▶ Skjut in kameran i kamerafästet.
- ▶ Fäst kameran **löst** med de två skruvarna M4 x 6 mm i hålen på sidan (bild 15, sida 5).
- ▶ Rikta kameran provisoriskt så att objektivet sitter i ung. 50° vinkel mot fordonets lodrätta axel (bild 16, sida 6).

Ansluta el till kameran



ANVISNING

- Dra kamerakabeln så att det blir lätt att komma åt kontakten kamera/förlängningskabel vid ev. demontering av kameran. Detta underlättar demonteringen.
- Som rostskydd för kontaktarna rekommenderar vi att lite fett, t.ex. polfett, används i en av stickkontaktarna.
- Vid behov kan ytterligare förlängningskablar erhållas (se kapitel "Tillbehör" på sidan 118).

- Dra in kamerakabeln i fordonet.
- Anslut kamerakabelns stickkontakt till kontakten på förlängningskabeln.
- Skruva fast anslutningskabelns kontakt för att skydda mot inträngande vatten (bild **17**, sida 6).

Rikta kameran



ANVISNING

För att kunna rikta kameran måste eventuellt först en monitor monteras och anslutas (se principkopplingsschemat bild **18**, sida 6).

- Rikta kameran med hjälp av monitorbilden:
Nedtill på monitorbilden bör nu fordonets bakdel resp. stötfångaren synas. Stötfångarens mitt ska också vara på bildens mitt (bild **19**, sida 6).
- Kontrollera kamerans funktion när den har anslutits till en monitor.

Fästa kameran

- Dra fast de båda fästskruvarna i hålen på sidan av kamerahållaren.
- Klicka in sidokåporna i de därför avsedda öppningarna på sidan (bild **20**, sida 7) och fäst dem med en roterande rörelse.
- För att avlägsna sidokåporna, för in två trubbiga, platta föremål i de därför avsedda öppningarna på kåporna och rotera dessa.

9 Skötsel och rengöring av kameran

**OBSERVERA! Risk för skador!**

Använd inga vassa eller hårda föremål för att rengöra systemet, komponenterna kan skadas.

- Rengör kameran då och då med en mjuk, fuktig trasa.

10 Garanti

Den lagstadgade garantitiden gäller. Om produkten är defekt: kontakta tillverkarens kontor i ditt land (adresser, se bruksanvisningens baksida) eller återförsäljaren.

Vid reparations- resp. garantiärenden ska följande skickas med:

- defekta komponenter,
- en kopia på fakturan med inköpsdatum,
- en reklambeskrivning/felbeskrivning.

11 Avfallshantering

- Lämna om möjligt förpackningsmaterialet till återvinning.



När produkten slutgiltigt tas ur bruk: informera dig om gällande bestämmelser hos närmaste återvinningscentral eller hos återförsäljaren.

12 Tekniska data

	PerfectView CAM55	PerfectView CAM55W
Artikel-nr:	9600000555	9600000556
Bildsensor:	1/4" CMOS	
Bildpunkter:	640 (H) x 480 (V)	
Videostandard:	PAL, 1 Vpp	
Känslighet:	< 1 lux / 0 lux med IR-lysdioder	
Synvinkel:	ca 120° diagonalt ca 100° horisontellt ca 70° vertikalt	
Driftspänning:	10 – 32 V $\overline{=}$	
Förbrukning:	max. 4,1 W	
Drifttemperatur:	–30 °C till +70 °C	
Skyddsklass:	IP69K	
Vibrationstålighet:	10 g	
Mått B x H x D (med fäste):	80 x 50 x 62mm	
Vikt:	ca 165 g	

Godkännanden

Apparaten har E13-godkännande.



Les bruksanvisningen nøye før du monterer og tar apparatet i bruk, og ta vare på den. Hvis produktet selges videre, må du sørge for å gi bruksanvisningen videre også.

Innhold

1	Symbolforklaringer	127
2	Råd om sikkerhet og montering	127
3	Leveringsomfang	129
4	Tilbehør	130
5	Tiltenkt bruk	130
6	Teknisk beskrivelse	130
7	Råd om elektrisk tilkobling	131
8	Montere kameraet	132
9	Stell og rengjøring av kameraet	136
10	Garanti	136
11	Deponering	137
12	Tekniske spesifikasjoner	137

1 Symbolforklaringer

**ADVARSEL!**

Sikkerhetsregel: Hvis man ikke overholder denne regelen, kan det føre til død eller alvorlig skade.

**FORSIKTIG!**

Sikkerhetsregel: Hvis man ikke overholder denne regelen, kan det føre til personskader.

**PASS PÅ!**

Hvis man ikke overholder denne regelen, kan det føre til materielle skader og skade funksjonen til produktet.

**MERK**

Utfyllende informasjon om bruk av produktet.

2 Råd om sikkerhet og montering

Følg rådene og betingelsene som kjøretøyprodusenten og motorvognprodusenten har bestemt!

Produsenten tar i følgende tilfeller intet ansvar for skader:

- Montasje- eller tilkoblingsfeil
- Skader på produktet på grunn av mekanisk påvirkning og overspenninger
- Endringer på produktet uten at det er gitt uttrykkelig godkjenning av produsenten
- Bruk til andre formål enn det som er beskrevet i veiledningen

Følg derfor disse rådene:

- På grunn av kortslutningsfaren må man alltid koble fra minuspolen før man utfører arbeid på kjøretøyets elektronikk.
På kjøretøy med hjelpebatteri må man også koble fra minuspolen på dette.
- Feil på ledningsforbindelser kan føre til at det på grunn av kortslutning oppstår
 - kabelbrann,
 - at kollisjonsputen utløses,
 - at de elektroniske styreanordningene blir skadet,
 - at elektriske funksjoner faller ut (blinklys, bremselys, horn, tenning, lys).

- Bruk ved arbeid på følgende ledninger kun isolerte kabelsko, støpsler og kabelklemmer.
 - 30 (inngang fra batteriets pluss direkte),
 - 15 (koblet pluss, bak batteri),
 - 31 (tilbakeleder fra batteri, jord),
 - 58 (ryggelys).

Bruk **ikke** kabelklemmer.

- Bruk en krympetang (fig. **1** 10, side 2) til å koble til kabelen.
- Skru fast kabelen ved tilkobling til ledningen 31 (jord)
 - med kabelsko og låseskive til kjøretøyets jordkobling eller
 - med kabelsko og plateskrue til karosseriet.

Pass på at du har god jordforbindelse!

Ved frakobling av minuspolen til batteriene mister alle flyktige minner i komfortelektronikken de lagrede dataene.

- Følgende data må stilles inn på nytt, avhengig av kjøretøyets utrustning:
 - radiokode
 - kjøretøyur
 - tidskoblingsur
 - kjørecomputer
 - sitteposisjon

Råd vedrørende innstilling finner du i relevant bruksanvisning.

Vær oppmerksom på følgende ved montering:

- Fest delene til kameraet som er montert i kjøretøyet slik at de ikke under noen omstendighet (bråbremsing, trafikkuhell) løsner og **skader passasjerene**.
- Fest skjult under paneler tilhørende deler slik at de ikke kan løsne eller skade andre deler og ledninger, og slik at de ikke påvirker kjøretøyets funksjon (styring, pedaler osv.).
- Ved boring må man for å unngå skader passe på at det er tilstrekkelig plass når boret går ut på den andre siden (fig. **2**, side 3).
- Fjern gradene på alle hull som bores og behandle disse med rustbeskyttelsesmiddel.
- Følg alltid sikkerhetsrådene til kjøretøyprodusenten. Enkelte typer arbeid (f. eks. på kollisjonsputesystem osv.) må kun utføres av fagfolk.

Vær oppmerksom på følgende ved arbeid på elektriske deler:

- For å teste spenningen i elektriske ledninger, må man kun bruke en diode-testlampe (fig. **1** 8, side 2) eller et voltmeter (fig. **1** 9, side 2). Testlamper med lyslegeme (fig. **1** 12, side 2) forbruker for mye strøm, noe som kan skade kjøretøyelektronikken.
- Ved forlegging av de elektriske tilkoblingene, må du passe på at disse
 - ikke blir knekt eller deformert,
 - ikke gnir på kanter,
 - ikke legges uten beskyttelse gjennom gjennomføringer som har skarpe kanter (fig. **3**, side 3).
- Isoler alle forbindelser og tilkoblinger.
- Sikre kablen mot mekanisk belastning med kabelinnføringer eller isolasjonsbånd, f. eks. på eksisterende ledninger.

Kameraet er vanntett. Kameraets tettinger tåler imidlertid ikke høytrykksspyling (fig. **4**, side 3). Vær derfor oppmerksom på følgende ved håndtering av kameraet:

- Personer (inklusive barn) som på grunn av sine fysiske, sensoriske eller mentale ferdigheter eller på grunn av sin uerfarenhet eller manglende kjennskap ikke er i stand til å bruke produktet på en sikker måte, må ikke bruke dette produktet uten oppsyn eller anvisning fra en ansvarlig person.
- Ikke åpne kameraet, da dette har negativ virkning på tettheten og funksjonsevnen til kameraet (fig. **5**, side 3).
- Ikke dra i kablene, da dette har negativ virkning på tettheten og funksjonsevnen til kameraet (fig. **6**, side 3).
- Kameraet er ikke egnet for bruk under vann (fig. **7**, side 3).

3 Leveringsomfang

Nr. i fig. 8 , side 4	Antall	Betegnelse	Artikkelnr.
1	1	Fargekamera CAM55	9600000555
		Fargekamera CAM55W	9600000556
2	1	Kameraholder	
3	2	Sidedeksler	
4	1	Forlengelseskabel	9600000208

4 Tilbehør

Fås som tilbehør (ikke inkludert i leveransen):

Betegnelse	Artikkelnr.
Forlengelseskabel 5 m	9600000206
Forlengelseskabel 10 m	9600000207
Forlengelseskabel 20 m	9600000208
Spiralkabel for tilhengerdrift SPK170	9600000235

5 Tiltent bruk

CMOS-fargekameraene CAM55 (art.nr. 9600000555) og CAM55W (art.nr. 9600000556) er i utgangspunktet ment for bruk i kjøretøy. De kan brukes i videosystemer som brukes til å observere området rundt kjøretøyet fra førersetet, f.eks. ved sakte kjøring eller parkering.



ADVARSEL!

Fare for personskader på grunn av kjøretøyet.

Ryggevideosystemer er en støtte ved rygging, den fritar deg imidlertid **ikke** for **det spesielle ansvaret du har med å utvise forsiktighet under rygging**.

6 Teknisk beskrivelse

Kameraet med integrert mikrofon er plassert i en aluminiumskapsling og overfører bilde og lyd til en skjerm via en kabel. De infrarøde lysdiodene forbedrer nattsikten.

Kameraet overfører bildet som om du ser i ryggespeilet.

Kameraet består av bl. a. følgende elementer:

Nr. i fig. 9, side 4	Betegnelse
1	6-polet tilkoblingskabel
2	Infrarøde lysdioder
3	Mikrofon

7 Råd om elektrisk tilkobling

7.1 Legging av kabel



PASS PÅ! Fare for skade!

- Når du borer hull, må du på forhånd kontrollere om det er nok ledig plass til at boret kan komme ut.
- Kabellegging og kabelforbindelser som ikke er utført fagmessig fører ofte til feilfunksjoner eller skader på komponenter. Korrekt kabellegging hhv. kabelforbindelse er den viktigste forutsetningen for varig og feilfri funksjon til ettermonterte komponenter.
- Kabelen må ikke komme i kontakt med løsemidler, som f. eks. bensin over lengre tid, da løsemidlet kan skade kablene.

Følg derfor disse rådene:

- For å føre gjennom tilkoblingskabelen bruker du originalgjennomføringer eller andre gjennomføringsmuligheter, som f. eks. panelkanter, luftegitter eller blindbryter. Hvis det ikke finnes noen gjennomføringer tilgjengelig, må du bore hull for de aktuelle kablene. Se etter på forhånd om det er nok plass til at boret kan komme ut.
- Legg alltid kabelen inne i kjøretøyet hvis det er mulig, der er de bedre beskyttet enn utenpå kjøretøyet. Hvis du likevel legger kablene utenpå kjøretøyet, må du sørge for at de festes sikkert (med ekstra kabelskjøtestykker, isolasjonsbånd osv.).
- Ved legging av kabel må du alltid holde tilstrekkelig avstand til varme og bevegelige deler på kjøretøyet (eksosrør, drivakslinger, dynamoer, vifter, oppvarming osv.) for å unngå skader på kabelen. Til mekanisk beskyttelse brukes bølgerør eller lignende beskyttelsesmaterialer.
- Skru pluggforbindelsene til forbindelseskabelen for å beskytte mot inntrenging av vann (fig. **17**, side 6).
- Ved legging av kablene må du passe på at disse
 - ikke blir knekt eller deformert,
 - ikke gnir på kanter,
 - ikke legges uten beskyttelse gjennom gjennomføringer som har skarpe kanter (fig. **3**, side 3).
- Fest kabelen skikkelig i kjøretøyet for å unngå at noe hektes fast i den (fare for fall). Dette gjøres ved bruk av kabelbånd, isolasjonsbånd eller ved påliming.
- Beskytt alle gjennomføringer i det ytre karosseriet mot inntrenging av vann, f. eks. ved å sprøyte kabelen og gjennomføringsnippelen med tetningsmasse.

**MERK**

Begynn å tette igjen gjennomføringene først når alt innstillingsarbeid på kameraet er avsluttet og når de nødvendige lengdene til tilkoblingskablene er kappet.

8 Montere kameraet

8.1 Nødvendig verktøy

Til **montering** trenger du følgende verktøy:

- Borsett (fig. **1** 1, side 2)
- Bormaskin (fig. **1** 2, side 2)
- Skrutrekker (fig. **1** 3, side 2)
- Nøkkelsett (fig. **1** 4, side 2)
- Målestokk (fig. **1** 5, side 2)
- Hammer (fig. **1** 6, side 2)
- Kjørner (fig. **1** 7, side 2)

Til **elektrisk tilkobling** og kontroll av denne trenger du følgende hjelpemidler:

- Diodetestlampe (fig. **1** 8, side 2) eller voltmeter (fig. **1** 9, side 2)
- Isolasjonsbånd (fig. **1** 11, side 2)
- Evt. kabelgjennomføringsnipler

Til **å feste kablen** trenger du evt. flere kabelskjøtestykker.

8.2 Montere kameraet



FORSIKTIG!

Velg plassering av kameraet og fest dette slik at ingen personer som står i nærheten under ingen omstendighet kan bli skadet, f. eks. av greiner som streifer over taket på bilen og river av kameraet.



MERK

Hvis man ved montering av kameraet endrer kjøretøyhøyden eller kjøretøylengden som står i vognkortet, trenger man ny godkjenning fra relevante godkjenningsinstanser (TÜV, DEKRA osv.).

Sørg for at den nye godkjenningen føres inn i vognkortet av vedkommende veimyndighet.

Vær oppmerksom på følgende ved montering:

- Plasser kameraet i en hensiktsmessig synsvinkel minst 2 m oppe. Ved montasjen må du passe på at montasjestedet er tilstrekkelig stabilt.
- Pass på at montasjestedet til kameraet er tilstrekkelig stabilt (f. eks. kan greiner som streifer over biltaket sette seg fast i kameraet).
- Monter kameraholderen vannrett og midt på kjøretøyet bak (fig. **10**, side 5).
- Den sikreste måten å feste på er med gjennomgående skruer. Følg disse rådene:
 - Bak det valgte montasjestedet må det være nok plass for montasjen.
 - Alle gjennomføringer må beskyttes mot inntrenging av vann (sett f. eks. inn skruene med tetningsmasse og/eller påfør tetningsmasse på de ytre festedelene).
 - Montering på festestedet må være tilstrekkelig fast, slik at kameraholderen kan trekkes til fast nok.
- Kontroller på forhånd, om det er nok plass til at boret kan komme ut (fig. **2**, side 3).
- Hvis du er usikker på montasjestedet du har valgt, må du forhøre deg hos produsenten eller dennes representant.



MERK

For å redusere korrosjonen av skruene til et minimum, anbefaler vi å sette inn gjengene med fett.

Ved montering går du fram på følgende måte:

- Hold kameraholderen på det valgte montasjestedet og merk minst 2 forskjellige borepunkter (fig. **11**, side 5).
- Kjørn med hammer og kjørner på punktene som er merket på forhånd, for å hindre at boret løper løpsk.

Når du ønsker å skru på kameraet med plateskruer (fig. **12**, side 5)



PASS PÅ! Fare for skade!

Feste med plateskruer må kun gjøres i stålplater med en minimum tykkelse på 1,5 mm.

- Bor et hull på Ø 2 mm i punktene som er merket på forhånd.
- Fjern gradene på alle borehull og behandle disse med rustbeskyttelse.
- Skru fast kameraholderen med selvgjengende skruer i størrelse 4 x 10 mm.

Når du ønsker å feste kameraet med plateskruer gjennom montasjen (fig. **13**, side 5)



PASS PÅ! Fare for skade!

Når man trekker til mutrene, må man passe på at de ikke kan trekkes gjennom montasjen.
Bruk evt. større underlagsskiver eller stålplater.

- Bor et hull på Ø 6,5 mm i punktene som er merket på forhånd.
- Fjern gradene på alle borehull og behandle disse med rustbeskyttelse.
- Skru fast kameraet med M6 x 20 mm bolter.
Du trenger lengre gjengeskruer, avhengig av oppbyggingshøyden.

Lage gjennomføring for tilkoblingskabelen til kameraet (fig. **14**, side 5)



MERK

Ved gjennomføring av tilkoblingskabelen bruker du, hvis det er mulig, eksisterende gjennomføringsmuligheter, f. eks. luftegitter. Hvis det ikke er noen gjennomføringer tilgjengelig, må du bore et hull på Ø 16 mm.



PASS PÅ! Fare for skade!

Kontroller på forhånd om det er nok plass til at boret kan komme ut.

- Bor et hull på Ø 16 mm i nærheten av kameraet.
- Fjern gradene på alle borehull som er laget i platen og behandle disse med rustbeskyttelse.
- Utstyr alle gjennomføringer som har skarpe kanter med en gjennomføringsnippel.

Montere kameraet



PASS PÅ! Fare for skade!

For å montere kameraet bruker du kun skruene som følger med. Lengre skruer skader kameraet.

- Skyv kameraet inn i kameraholderen.
- Fest kameraet **løst** med de to M4 x 6 mm skruene i sidehullene (fig. **15**, side 5).
- Rett inn kameraet provisorisk slik at objektivet danner en vinkel på ca. 50° til den lodrette aksen til kjøretøyet (fig. **16**, side 6).

Koble til kameraet elektrisk



MERK

- Legg kamerakabelen slik at det ved en evt. nødvendig demontering av kameraet er lett å komme til pluggforbindelsen mellom kamera og forlengelseskabel. På denne måten blir demonteringen betydelig enklere.
- For å redusere korrosjonen i støpslet til et minimum, anbefaler vi å påføre noe fett, f. eks. polfett i et av støpslene.
- Ved behov kan man få flere forlengelseskabler (se kapittel «Tilbehør» på side 130).

- Legg kamerakabelen inni kjøretøyet.
- Plugg støpslet til kamerakabelen inn i kontakten på forlengelseskabelen.
- Skru pluggforbindelsene til forbindelseskabelen for å beskytte mot inntrenging av vann (fig. **17**, side 6).

Innrette kameraet



MERK

For å innrette kameraet må du evt. først montere en skjerm til og koble den til elektrisk (se prinsippskjema fig. **18**, side 6).

- Rett inn kameraet ved hjelp av skjermbildet:
I nederste bildekant skal skjermbildet vise hekken hhv. støtfangeren til kjøretøyet ditt. Midten på støtfangeren skal også være midt på skjermbildet (fig. **19**, side 6).
- Test funksjonen til kameraet etter at du har koblet det til en skjerm.

Feste kamera

- Trekk til begge festeskruene i sidehullene på kameraholderen.
- Klikk sidedekslene inn i åpningene for dette (fig. **20**, side 7), og fest disse med en skrubevegelse.
- For å fjerne sidedekslene fører du to stumppe, flate gjenstander inn i åpningene for dette på panelene og skrur disse opp.

9 Stell og rengjøring av kameraet



PASS PÅ! Fare for skade!

Bruk ikke skarpe eller harde hjelpemidler til rengjøring, da det kan skade apparatene.

- Rengjør kameraet av og til med en myk, fuktig klut.

10 Garanti

Lovmessig garantitid gjelder. Hvis produktet skulle være defekt, kontakter du produsentens filial i ditt land (du finner adressene på baksiden av veiledningen) eller til din faghandler.

Ved henvendelser vedrørende reparasjon eller garanti, må du sende med følgende:

- defekt komponenter,
- kopi av kvitteringen med kjøpsdato,
- årsak til reklamasjonen eller beskrivelse av feilen.

11 Deponering

- Lever emballasje til resirkulering så langt det er mulig.



Når du tar produktet ut av drift for siste gang, må du sørge for å få informasjon om deponeringsforskrifter hos nærmeste resirkuleringsstasjon eller hos din faghandler.

12 Tekniske spesifikasjoner

	PerfectView CAM55	PerfectView CAM55W
Art.nr.:	9600000555	9600000556
Bildesensor:	1/4" CMOS	
Bildepunkter:	640 (H) x 480 (V)	
Videostandard:	PAL, 1 Vpp	
Følsomhet:	< 1 lux / 0 lux med infrarøde lysdioder	
Synsvinkel:	ca. 120° diagonalt ca. 100° horisontalt ca. 70° vertikalt	
Driftsspenning:	10 – 32 V $\overline{=}$	
Forbruk:	max. 4,1 W	
Driftstemperatur:	-30 °C til +70 °C	
Beskyttelsesklasse:	IP69K	
Vibrasjonsfasthet:	10 g	
Mål B x H x D (med holder):	80 x 50 x 62 mm	
Vekt:	ca. 165 g	

Godkjenninger

Apparatet har E13-godkjenning.



Lue tämä ohje huolellisesti läpi ennen asennusta ja käyttöönottoa ja säilytä ohje hyvin. Jos myyt tuotteen eteenpäin, anna ohje tällöin edelleen uudelle käyttäjälle.

Sisällysluettelo

1	Symbolien selitys	139
2	Turvallisuus- ja kiinnitysohjeita	139
3	Toimituskokonaisuus	141
4	Lisävarusteet	142
5	Määräysten mukainen käyttö	142
6	Tekninen kuvaus	142
7	Ohjeita sähköistä liittämistä varten	143
8	Kameran asentaminen	144
9	Kameran hoito ja puhdistaminen	148
10	Tuotevastuu	148
11	Hävittäminen	149
12	Tekniset tiedot	149

1 Symbolien selitys



VAROITUS!

Turvallisuusohje: Huomiotta jättäminen voi aiheuttaa hengenvaaran tai vakavan loukkaantumisen.



HUOMIO!

Turvallisuusohje: Huomiotta jättäminen voi johtaa loukkaantumiseen.



HUOMAUTUS!

Huomiotta jättäminen voi johtaa materiaalivaurioihin ja haitata tuotteen toimintaa.



OHJE

Tuotteen käyttöä koskevia lisätietoja.

2 Turvallisuus- ja kiinnitysohjeita

Noudattakaa ajoneuvovalmistajan ja autoalan ammattiipiirien antamia turvallisuusohjeita ja vaatimuksia!

Valmistaja ei ota mitään vastuuta vahingoista seuraavissa tapauksissa:

- asennus- tai liitännävirheet
- tuotteeseen mekaanisen vaikutuksen tai ylijännitteiden takia syntyneet vauriot
- tuotteeseen ilman valmistajan nimenomaista lupaa tehdyt muutokset
- käyttö muuhun kuin käyttöohjeessa ilmoitettuun tarkoitukseen

Noudattakaa siksi seuraavia ohjeita:

- Irrottakaa akun miinusnapa oikosulkuvaaran takia aina ennen ajoneuvoelektronikkaan liittyvien töiden aloittamista.
Jos ajoneuvossa on lisäakku, myös sen miinusnapa täytyy irrottaa.
- Riittämättömät johtimet voivat aiheuttaa oikosulun, jonka takia
 - syntyy johtopaloja,
 - ilmatyyny (airbag) laukeaa,
 - elektroniset ohjauslaitteistot vahingoittuvat,
 - sähköiset toiminnot lakkaavat toimimasta (vilkku, jarruvalo, äänimerkki, sytytys, valot).

- Käyttäkää töissä, jotka koskevat seuraavia johtimia, vain eristettyjä kaapelikenkiä, pistokkeita ja abico-liittimiä:
 - 30 (suora plus akusta),
 - 15 (kytketty plus, akun takana),
 - 31 (akun paluujohdin, maa),
 - 58 (peruutusvalo).

Älkää käyttäkö sokeripaloja.

- Käyttäkää johtojen liittämiseen abico-pihtejä (kuva **1** 10, sivulla 2).
- Ruuvatkaa johto johdinta 31 (maa) liittäessänne
 - kaapelikengällä ja lukkoprikalla ajoneuvon omaan maadoitusruuviin tai
 - kaapelikengällä ja peltiruuvilla ajoneuvon koripeltiin.

Huolehtikaa hyvästä maadoituksesta!

Kun akun miinusnapa irrotetaan, kaikista mukavuuselektroniikan sähköisistä muisteista häviää niihin tallennetut tiedot.

- Teidän täytyy asettaa ajoneuvon varustelusta riippuen seuraavat tiedot uudelleen:
 - Radiokoodi
 - Ajoneuvokello
 - Kytinkello
 - Ajoneuvotietokone
 - Istuimen paikka

Asetusohjeita löydätte kustakin käyttöohjeesta.

Noudattakaa asennuksessa seuraavia ohjeita:

- Kiinnittäkää kameran ajoneuvoon asennettavat osat siten, että ne eivät voi missään tapauksessa (äkkijarrutus, liikenneonnettomuus) irrota ja johtaa **matkustajien loukkaantumiseen**.
- Kiinnittäkää järjestelmän piilon verhousten alle kiinnitettävät osat siten, että ne eivät voi irrota tai vahingoittaa muita osia ja johtimia tai haitata mitään ajoneuvon toimintoja (ohjaus, polkimet jne.).
- Huolehtikaa poratessanne siitä, että poran terällä on reiän takana riittävästi tilaa, jotta terä ei aiheuta vaurioita (kuva **2**, sivulla 3).
- Pyöristäkää kaikkien reikien reunat ja käsitelkää ne ruostesuojaaineella.
- Noudattakaa aina ajoneuvovalmistajan turvallisuusohjeita. Eräitä töitä (esim. AIRBAGin tapaiset järjestelmät jne.) saa tehdä vain koulutuksen saanut ammattihenkilökunta.

Noudattakaa seuraavia ohjeita sähköisiin osiin liittyvissä töissä:

- Käyttäkää sähköjohtimien jännitteisyyden tarkastamiseen vain diodisähkökynnää (kuva **1** 8, sivulla 2) tai volttimittaria (kuva **1** 9, sivulla 2).
Loistelampulla toimivat sähkökynät (kuva **1** 12, sivulla 2) ottavat liian paljon virtaa, mikä voi johtaa ajoneuvoelektronikan vahingoittumiseen.
- Huolehtikaa ennen sähköjohtojen vetämistä siitä, että ne
 - ei ole taitteella tai kierteellä,
 - eivät hankaa reunoihin,
 - eivät kulje suojaamattomina teräväreunaisista rei'istä (kuva **3**, sivulla 3).
- Eristäkää kaikki johtimet ja liitännät.
- Kiinnittäkää johdot mekaanisen kuormituksen estämiseksi johtokiinnittimillä tai eristysnauhalla, esim. ajoneuvossa jo oleviin johtoihin.

Kamera on vesitiivis. Kameran tiivisteet eivät kuitenkaan kestä korkeapainepesuria (kuva **4**, sivulla 3). Noudattakaa siksi seuraavia kameran käsittelyä koskevia ohjeita:

- Henkilöiden (mukaan lukien lapset), jotka eivät voi käyttää tuotetta turvallisesti fyysisten, sensoristen tai psyykkisten taitojensa takia, tai kokemattomuuden tai tietämättömyyden vuoksi, ei tulisi käyttää tuotetta ilman valvontaa tai vastuullisen henkilön ohjeita.
- Älkää avatko kameraa, koska tämä haittaa sen tiiviyttä ja toimintakykyä (kuva **5**, sivulla 3).
- Älkää vetäkö johdoista, koska tämä haittaa kameran tiiviyttä ja toimintakykyä (kuva **6**, sivulla 3).
- Kamera ei sovi käytettäväksi veden alla (kuva **7**, sivulla 3).

3 Toimituskokonaisuus

Nro kuva 8 , sivulla 4	Määrä	Nimitys	Tuote-nr.
1	1	Värikamera CAM55 Värikamera CAM55W	9600000555 9600000556
2	1	Kameran pidike	
3	2	Sivukatteet	
4	1	Jatkojohto	9600000208

4 Lisävarusteet

Saatavissa lisävarusteena (ei sisälly toimituskokonaisuuteen):

Nimitys	Tuote-nr.
Jatkojohto 5 m	9600000206
Jatkojohto 10 m	9600000207
Jatkojohto 20 m	9600000208
Spiraali johto perävaunukäyttöä varten SPK170	9600000235

5 Määräysten mukainen käyttö

CMOS-värikamerat CAM55 (tuotenro 9600000555) ja CAM55W (tuotenro 9600000556) on tarkoitettu käytettäväksi ensisijaisesti ajoneuvoissa. Niitä voi käyttää videojärjestelmissä, jotka on tarkoitettu ajoneuvon ympäristön tarkkailuun kuljettajan istuimelta käsin, esim. ajoneuvoa käänneltäessä tai pysäköitäessä.



VAROITUS!

Ajoneuvo voi aiheuttaa henkilövahinkoja.

Peruutusvideojärjestelmät ovat peruutusapuvälineitä, kuitenkin ne **eivät** vapauta sinua velvollisuudesta **olla erityisen varovainen peruuttaessasi**.

6 Tekninen kuvaus

Kamera ja yhdysrakenteinen mikrofoni on sijoitettu alumiinikoteloon ja ne välittävät kuvan ja äänen johtoa pitkin monitoriin. Infrapuna-LEDin kautta on parannettu yönäkyvyyttä.

Kamera välittää kuvaa samoin kuin jos katsoisit peruutuspeiliin.

Kamera koostuu mm. seuraavista osista:

Nro kuva 9 , sivulla 4	Nimitys
1	6-napainen liitäntäjohto
2	Infrapuna-LEDit
3	Mikrofoni

7 Ohjeita sähköistä liittämistä varten

7.1 Johtojen vetäminen



HUOMAUTUS! Vahingoittumisvaara!

- Jos poraat reikiä, tarkasta ensin, onko porausreiän takana tarpeeksi vapaata tilaa.
- Epäasianmukaiset johtoyhteydet ja -liitokset johtavat yhä uudelleen virhetoimintoihin ja rakenneosien vaurioitumiseen. Johtojen asianmukainen vetäminen ja liittäminen on varusteosien jatkuvan ja virheettömän toiminnan perusedellytys.
- Johdot eivät saa joutua pitkäksi aikaa kosketuksiin liuotinten kuten esim. bensiinin kanssa, koska liuottimet vahingoittavat muuten johtoja.

Noudattakaa siksi seuraavia ohjeita:

- Käyttäkää liitäntäjohtojen läpiviemiseen mahdollisuuksien mukaan alkuperäisiä läpivientipaikkoja tai muita läpivientimahdollisuuksia kuten esim. verhouksen reunoja, tuuletusrilöitä tai puuttuvien kytkinten peitelevyjä. Jos läpivientipaikkoja ei ole, Teidän täytyy porata kyseisiä johtoja vastaavat reiät. Katsokaa etukäteen, että porausreiän toisella puolella on riittävästi tilaa.
- Vetäkää johdot mahdollisuuksien mukaan aina ajoneuvon sisätiloihin, sillä siellä ne ovat paremmin suojassa kuin ajoneuvon ulkopuolella. Jos vedätte kuitenkin johtoja ajoneuvon ulkopuolelle, huolehdiä siitä, että ne on kiinnitetty lujasti (lisäksi nippusiteillä, eristysnauhalla jne.).
- Johtojen vioittumisen välttämiseksi säilyttäkää johtoja vetäessänne aina riittävä etäisyys ajoneuvon kuumiin ja liikkuviin osiin (pakoputki, vetoakselit, laturi, tuuletin, lämmitin jne.). Käyttäkää mekaaniseen suojaamiseen aaltoputkea tai vastaavanlaisia suojamateriaaleja.
- Ruuvaa liitäntäjohdon pistokeliittimet kiinni estämään veden tunkeutuminen liitokseen (kuva **17**, sivulla 6).
- Huolehdiä ennen johtojen vetämistä siitä, että ne
 - ei ole voimakkaasti taitteella tai kierteellä,
 - eivät hankaa reunoihin,
 - eivät kulje suojaamattomina teräväreunaisista rei'istä (kuva **3**, sivulla 3).
- Kiinnittäkää johdot ajoneuvon, jotta niihin ei voi jäädä kiinni (kompastumisvaara). Tähän voidaan käyttää johtokiinnittimiä, eristysnauhaa tai liimalla liimaaamista.

- Suojatkaa jokainen ulkopintaan tehtävä reikä sopivin keinoin vesivahingoilta, esim. asettamalla johto tiivistysmassan kanssa paikalleen ja suihkuttamalla johto ja läpivientiholkki tiivistysmassalla.



OHJE

Aloittakaa läpivientien tiivistäminen vasta sitten, kun kaikki kameraa koskevat säätötyöt on tehty loppuun ja liitäntäjohtojen tarvittavat pituudet ovat selvillä.

8 Kameran asentaminen

8.1 Tarvittavat työkalut

Kiinnittämiseen ja asentamiseen tarvitsette seuraavia työkaluja:

- Poranteräsarja (kuva **1** 1, sivulla 2)
- Porakone (kuva **1** 2, sivulla 2)
- Ruuvimeisseli (kuva **1** 3, sivulla 2)
- Lenkki- tai kiintoavainsarja (kuva **1** 4, sivulla 2)
- Mitta (kuva **1** 5, sivulla 2)
- Vasara (kuva **1** 6, sivulla 2)
- Merkkiipuikko (kuva **1** 7, sivulla 2)

Sähköliitäntää ja sen tarkastamista varten tarvitsette seuraavia apuvälineitä:

- Diodisähkökynä (kuva **1** 8, sivulla 2) tai volttimittari (kuva **1** 9, sivulla 2)
- Eristysnauhaa (kuva **1** 11, sivulla 2)
- Mahd. johdon läpivientiholkkeja

Johtojen kiinnittämiseen tarvitaan mahdollisesti vielä lisää johtokiinnittimiä.

8.2 Kameran asentaminen



HUOMIO!

Valitkaa kameran paikka hyvin ja kiinnittäkää se niin lujasti, että kamera se ei voi missään tapauksessa johtaa lähellä seisovien ihmisten loukkaantumiseen esim. ajoneuvon osuvien oksien repäisessä kameran irti.



OHJE

Jos ajoneuvon ajoneuvopapereihin merkitty korkeus tai pituus muuttuu kameran asentamisen takia, muutos täytyy hyväksyttää asianomaisissa paikoissa (katsastuskonttorit).

Antakaa oman liikenneviranomaisenne kirjata uusi hyväksyntä ajoneuvopapereihinne.

Noudattakaa asennuksessa seuraavia ohjeita:

- Kiinnittäkää kamera järkevän kuvakulman saavuttamiseksi vähintään kahden metrin korkeudelle.
Huolehtikaa asentaessanne kameraa siitä, että työskentelypaikkanne on riittävän tukeva.
- Huolehtikaa siitä, että kameran asennuspaikka on riittävän tukeva (esim. ajoneuvon kattoa pyyhkivät oksat voivat tarttua kameraan).
- Asenna kamerapidike vaakasuoraan keskelle ajoneuvon takaosaa (kuva **10**, sivulla 5).
- Varmin kiinnitys saavutetaan korirakenteen katon läpi menevillä ruuveilla. Olkaa hyvä ja noudattakaa tällöin seuraavia ohjeita:
 - Valitun asennuspaikan takana täytyy olla riittävästi vapaata tilaa asennusta varten.
 - Jokainen läpivienti täytyy suojata sopivin keinoin vesivahinkoja vastaan (esim. laittamalla ruuveihin tiivistysmassaa ja/tai suihkuttamalla ulkoiset kiinnitysosat tiivistysmassalla).
 - Korirakenteen täytyy olla kiinnityskohdassa riittävän tukeva, jotta kameran pidike voidaan kiristää riittävän kireälle.
- Tarkastakaa etukäteen, että porausreiän toisella puolella on riittävästi tilaa (kuva **2**, sivulla 3).
- Jos ette ole varma valitsemastanne asennuspaikasta, kääntykää korirakenteen valmistajan tai sen edustajan puoleen.



OHJE

Rasvatkaa ruuvien kierteet ruuvikorroosion minimoimiseksi.

Menetelkää asennuksessa seuraavasti:

- Pitäkää kameran pidikettä valitussa asennuspaikassa ja merkitkää vähintään kaksi eri porauskohtaa (kuva **11**, sivulla 5).
- Tehkää aiemmin merkittyihin kohtiin vasaralla ja merkkipuikolla alkusyvennys, jotta poranterä ei lipsahda kohdaltaan.

Jos haluatte ruuvata kameran kiinni peltiruuveilla (kuva **12**, sivulla 5)



HUOMAUTUS! Vahingoittumisvaara!

Peltiruuveja saa käyttää kiinnittämiseen vain, kun kiinnitysalusta on vähintään 1,5 mm paksua teräspeltiä.

- Poratkaa merkitsemiinne kohtiin Ø 2 mm:n reiät.
- Pyöristäkää kaikki poratut reiät ja suojatkaa ne ruosteelta.
- Kiinnitä kameran pidike koon 4 x 10 mm peltiruuveilla.

Jos haluatte kiinnittää kameran korirakenteen läpi kierrerruuveilla (kuva **13**, sivulla 5)



HUOMAUTUS! Vahingoittumisvaara!

Huolehtikaa siitä, että mutterit eivät voi niitä kiristettäessä kiskoutua korirakenteen läpi.

Käyttäkää mahdollisesti suurempia priikkoja tai peltilevyjä.

- Poratkaa merkitsemiinne kohtiin Ø 6,5 mm:n reiät.
- Pyöristäkää kaikki poratut reiät ja suojatkaa ne ruosteelta.
- Kiinnitä kameran pidike M6 x 20 mm:n kierrerruuveilla.
Korirakenteen paksuudesta riippuen voidaan tarvita pidempiä pultteja.

Kameran liitäntäjohdon läpiviennin tekeminen (kuva **14**, sivulla 5)



OHJE

Käyttäkää liitäntäjohtojen läpivientiin mahdollisuuksien mukaan valmiina olevia läpivientipaikkoja, esim. tuuletusrilöitä. Jos läpivientipaikkoja ei ole, Teidän täytyy porata Ø 16 mm:n reikä.



HUOMAUTUS! Vahingoittumisvaara!

Tarkastakaa etukäteen, että porausreiän toisella puolella on riittävästi tilaa.

- Poratkaa kameran lähelle Ø 16 mm:n reikä.
- Pyöristäkää kaikki peltiin poratut reiät ja suojatkaa ne ruosteelta.
- Laittakaa kaikkiin teräväreunaisiin reikiin läpivientiholkki.

Kameran asentaminen



HUOMAUTUS! Vaurioitumisvaara!

Käytä kameran asentamiseen vain mukana toimitettuja ruuveja. Pidemmät ruuvit vahingoittavat kameraa.

- Työnnä kamera kamerapidikkeeseen.
- Kiinnitä kamera **löysästi** kahdella M4 x 6 mm ruuvilla sivuilla oleviin aukkoihin (kuva **15**, sivulla 5).
- Suuntaa kamera väliaikaisesti siten, että objektiivin muodostaa n. 50° kulman ajoneuvon pystyakseliin nähden (kuva **16**, sivulla 6).

Kameran liittäminen sähköisesti



OHJE

- Vetäkää kamerajohto siten, että kameran ja jatkojohdon pistoliitäntään päästään helposti käsiksi, jos kamera täytyy mahdollisesti irrottaa. Asennuksen purkaminen helpottuu näin huomattavasti.
- Laittakaa pistokkeeseen hieman rasvaa, esim. naparasvaa, pistokkeiden korroosion minimoimiseksi.
- Tarvittaessa saatavissa on jatkojohtoja (ks. kap. "Lisävarusteet" sivulla 142).

- Vetäkää kamerajohto ajoneuvon sisään.
- Työntäkää kamerajohdon pistoke jatkojohdon pistoliittimeen.
- Ruuvaa liitäntäjohdon pistokeliittimet kiinni estämään veden tunkeutuminen liitokseen (kuva **17**, sivulla 6).

Kameran suuntaaminen



OHJE

Kameran suuntaamista varten sinun täytyy vielä ensin asentaa monitori ja liittää se sähköisesti (ks. periaatteellinen liitäntäkaavio kuva **18**, sivulla 6).

- Suuntaa kamera monitorikuvan avulla:
Monitorikuvan alareunassa tulisi näkyä ajoneuvon perä tai takapuskuri. Takapuskurin keskikohdan tulisi olla myös monitorikuvan keskikohta (kuva **19**, sivulla 6).
- Tarkasta kameras toiminta sen jälkeen, kun olet liittännyt sen monitoriin.

Kameran kiinnitys

- Kiristä molemmat kiinnitysruuvit kameras pidikkeen sivuilla oleviin aukkoihin kiinni.
- Napsauta sivusuojuksen niille tarkoitettuihin sivuaukkoihin (kuva **20**, sivulla 7) ja kiinnitä vetoliikkeellä.
- Kun haluat irrottaa sivusuojukset, vie kaksi lyhyttä, tasaista vastakappaletta niille tarkoitettuihin aukkoihin suojuksessa ja vedä niistä.

9 Kameran hoito ja puhdistaminen



HUOMAUTUS! Vahingoittumisvaara!

Älkää käyttäkö puhdistamiseen teräviä tai kovia välineitä, koska tämä voi johtaa laitteiden vahingoittumiseen.

- Puhdistakaa kamera toisinaan pehmeällä, kostealla rievulla.

10 Tuotevastuu

Laitetta koskee lakisäätäinen takuu-aika. Jos tuote sattuu olemaan viallinen, käänny maasi valmistajan toimipisteen puoleen (osoitteet käyttöohjeen takasivulla) tai ota yhteyttä omaan ammattikauppiaseesi.

Korjaus- ja takuukäsittelyä varten lähetä mukana seuraavat:

- vialliset osat,
- kopio ostolaskusta, jossa näkyy ostopäivä,
- valitusperuste tai vikakuvaus.

11 Hävittäminen

- Vie pakkausmateriaali mahdollisuuksien mukaan vastaavan kierrätysjätteen joukkoon.



Jos poistat tuotteen lopullisesti käytöstä, pyydä tietoa sen hävittämistä koskevista määräyksistä lähimmästä kierrätyskeskuksesta tai ammattiliikkeestäsi.

12 Tekniset tiedot

	PerfectView CAM55	PerfectView CAM55W
Tuotenumero:	9600000555	9600000556
Kuvakenno:	1/4" CMOS	
Kuvapisteitä:	640 (H) x 480 (V)	
Videostandardi:	PAL, 1 Vpp	
Herkkyys:	< 1 luksia / 0 luksia infrapuna-LEDeillä	
Kuvakulma:	noin 120° kulmittain noin 100° vaakasuorassa noin 70° pystysuorassa	
Käyttöjännite:	10 – 32 V $\overline{=}$	
Kulutus:	maks. 4,1 W	
Käyttölämpötila:	–30 °C – +70 °C	
Suojausluokka:	IP69K	
Tärinänkesto:	10 g	
Mitat L x K x S (pidikkeen kanssa):	80 x 50 x 62 mm	
Paino:	noin 165 g	

Hyväksynät

Laitteella on E13-hyväksyntä.



Прочтите данную инструкцию перед монтажом и вводом в эксплуатацию и сохраните ее. В случае передачи продукта передайте инструкцию следующему пользователю.

Оглавление

1	Пояснение символов	151
2	Указания по безопасности и монтажу	151
3	Объем поставки	154
4	Принадлежности	154
5	Использование по назначению	155
6	Техническое описание	155
7	Общие указания по присоединению к электрической сети	156
8	Монтаж камеры	157
9	Уход и очистка камеры	162
10	Гарантия	162
11	Утилизация	162
12	Технические данные	163

1 Пояснение символов



ПРЕДУПРЕЖДЕНИЕ!

Указания по технике безопасности: Несоблюдение может привести к смертельному исходу или тяжелым травмам.



ОСТОРОЖНО!

Указания по технике безопасности: Несоблюдение может привести к травмам.



ВНИМАНИЕ!

Несоблюдение может привести к повреждениям и нарушить работу продукта.



УКАЗАНИЕ

Дополнительная информация по управлению продуктом.

2 Указания по безопасности и монтажу

Соблюдайте указания по технике безопасности и требования, предписанные изготовителем автомобиля и автомастерской!

Изготовитель не несет никакой ответственности за ущерб в следующих случаях:

- Ошибки монтажа или подключения
- Повреждения продукта из-за механических воздействий и перенапряжений
- Изменения в продукте, выполненные без однозначного разрешения изготовителя
- Использование в целях, отличных от указанных в данной инструкции

Соблюдайте следующие указания:

- Вследствие опасности короткого замыкания перед работами на электрической системе автомобиля всегда отсоединяйте клемму отрицательного полюса.
В автомобилях с добавочной аккумуляторной батареей Вы и на ней должны отсоединить клемму отрицательного полюса.

- Неудовлетворительное присоединение проводов может привести к тому, что вследствие короткого замыкания
 - возникает возгорание кабелей,
 - срабатывает надувная подушка безопасности,
 - получают повреждения электронные устройства управления,
 - выходят из строя электрические функции (указатели поворота, сигнал торможения, звуковой сигнал, зажигание, освещение).
- Используйте при работах на следующих линиях только изолированные кабельные зажимы, штекеры и наружные штекеры:
 - 30 (вход положительного полюса батареи, прямой),
 - 15 (включенный положительный полюс, за аккумуляторной батареей),
 - 31 (обратная цепь от аккумуляторной батареи, корпус),
 - 58 (фара заднего хода).

Не используйте клеммовые колодки.

- Для соединения кабелей используйте обжимные клещи (рис. **1** 10, стр. 2).
- Привинтите кабель при соединениях к проводу 31 (корпус)
 - с помощью кабельного зажима и зубчатой пружинной шайбы к винту для соединения с корпусом, имеющемуся на автомобиле или
 - с помощью кабельного зажима и самонарезающего винта к листу кузова.Обеспечивайте хорошее соединение с корпусом!

При отсоединении клеммы отрицательного полюса аккумуляторной батареи все энергозависимые запоминающие устройства электроники систем комфорта теряют сохраненные в них данные.

- В зависимости от оснащения автомобиля, вам придется заново настроить следующие данные:
 - Код радиоприемника
 - Часы автомобиля
 - Таймер
 - Бортовой компьютер
 - Положение сидений

Указания по настройке приведены в соответствующей инструкции по эксплуатации.

При монтаже соблюдайте следующие указания:

- Крепите установленные в автомобиле детали камеры так, чтобы они ни при каких условиях (резком торможении, аварии) не могли отсоединиться, тем самым **приводя к травмам пассажиров**.

- Крепите скрытые, устанавливаемые под обшивкой детали системы так, чтобы они не могли отсоединиться или повредить другие детали и провода и нарушить функции автомобиля (рулевое управление, педали и т. п.).
- Во избежание повреждений при сверлении следите за достаточным свободным пространством для выхода сверла (рис. **2**, стр. 3).
- Зачистите все отверстия и смажьте их антикоррозионным средством.
- Всегда соблюдайте указания изготовителя автомобиля по технике безопасности.

Некоторые работы (например, на системах безопасности, в т. ч. на надувных подушках безопасности) разрешается выполнять только обученному персоналу.

При работах на электрической системе соблюдайте следующие указания:

- Для проверки напряжения в электрических линиях используйте только диодную контрольную лампу (рис. **1** 8, стр. 2) или вольтметр (рис. **1** 9, стр. 2). Контрольные лампы с нитью накала (рис. **1** 12, стр. 2) потребляют слишком большой ток, вследствие чего может быть повреждена электроника автомобиля.
- При прокладке электрических линий следите за тем, чтобы они
 - не перегибались и не скручивались,
 - не терлись о кромки,
 - не прокладывались без защиты через вводы, имеющие острые кромки (рис. **3**, стр. 3).
- Заизолируйте все линии и соединения.
- Предохраните кабели от механических нагрузок, зафиксировав их кабельными стяжками или изоляционной лентой, например, за имеющиеся линии.

Камера является водонепроницаемой. Но уплотнения камеры не выдерживают очистки высоким давлением (рис. **4**, стр. 3). Поэтому соблюдайте следующие указания по обращению с камерой:

- Лица (включая детей), которые в связи с ограниченными физическими, сенсорными или умственными способностями или с недостатком опыта или знаний, не в состоянии пользоваться данным изделием, не должны использовать это изделие без постоянного присмотра или инструктажа ответственного лица.
- Не вскрывайте камеру, т. к. это отрицательно сказывается на герметичности и работоспособности (рис. **5**, стр. 3).

- Не тяните за кабели, т. к. это отрицательно сказывается на герметичности и работоспособности камеры (рис. **6**, стр. 3).
- Камера не пригодна для работы под водой (рис. **7**, стр. 3).

3 Объем поставки

№ на рис. 8 , стр. 4	Колво	Наименование	№ арт.
1	1	Цветная камера CAM55	9600000555
		Цветная камера CAM55W	9600000556
2	1	Держатель камеры	
3	2	Боковые крышки	
4	1	Удлинительный кабель	9600000208

4 Принадлежности

Продается в качестве принадлежности (не входит в объем поставки):

Наименование	№ арт.
Удлинительный кабель 5 м	9600000206
Удлинительный кабель 10 м	9600000207
Удлинительный кабель 20 м	9600000208
Спиральный кабель для работы с прицепом SPK170	9600000235

5 Использование по назначению

Цветные CMOS-камеры CAM55 (арт. № 9600000555) и CAM55W (арт. № 9600000556) предназначены преимущественно для использования в автомобилях. Они могут применяться в видеосистемах, служащих для наблюдения за зоной вокруг автомобиля с сиденья водителя, например, при маневрировании или парковке.



ПРЕДУПРЕЖДЕНИЕ!

Опасность нанесения автомобилем травм людям. Видеосистемы заднего вида служат для поддержки при движении задним ходом, но **не освобождают Вас от обязанности соблюдать повышенную осторожность при движении задним ходом.**

6 Техническое описание

Камера со встроенным микрофоном размещена в алюминиевом корпусе и передает изображение и звук по кабелю к монитору. Благодаря инфракрасным светодиодам улучшается видимость ночью.

Камера передает изображение, как будто Вы смотрите в зеркало заднего вида.

Камера состоит из следующих основных элементов:

№ на рис. 9, стр. 4	Наименование
1	б-конт. питающий кабель
2	Инфракрасные светодиоды
3	Микрофон

7 Общие указания по присоединению к электрической сети

7.1 Прокладка кабелей



ВНИМАНИЕ! Опасность повреждения!

- При сверлении отверстий предварительно убедитесь в том, что имеется достаточно свободного пространства для выхода сверла.
- Неправильная прокладка и соединения кабелей ведут к постоянным выходам из строя или повреждениям деталей. Правильная прокладка и соединения кабелей - основное условие длительной, бесперебойной работы дополнительно установленных компонентов.
- Кабель не должны длительное время находиться в контакте с растворителями, например, бензином, т. к. растворители повреждают кабели.

Поэтому соблюдайте следующие указания:

- Для ввода соединительных кабелей используйте, по возможности, оригинальные вводы или другие сквозные отверстия, например, края обшивки, вентиляционные решетки или заглушки. Если сквозные отверстия отсутствуют, необходимо просверлить для каждого кабеля подходящие отверстия. Предварительно проверьте, имеется ли достаточно свободного места для выхода сверла.
- По возможности, всегда прокладывайте кабели внутри автомобиля, т. к. там они защищены лучше, чем снаружи. Если, тем не менее, Вы прокладываете кабели снаружи автомобиля, то обеспечивайте надежное крепление (с помощью дополнительных кабельных стяжек, изоленды и т. п.).
- Во избежание повреждений кабелей всегда соблюдайте при их прокладке достаточное расстояние до горячих и подвижных узлов автомобиля (выхлопных труб, приводных валов, генератора, нагревателей, вентиляторов и т. п.). Для механической защиты используйте гофрированные трубки или аналогичные защитные материалы.
- Свинтите штекерное соединение для защиты от попадания воды (рис. **17**, стр. 6).

- При прокладке кабелей следите за тем, чтобы они
 - не перегибались и не скручивались,
 - не терлись о кромки,
 - не прокладывались без защиты через вводы, имеющие острые кромки (рис. **3**, стр. 3).
- Надежно крепите кабели в автомобиле, чтобы предотвратить запутывание (опасность падения). Надежное крепление можно обеспечить, используя кабельные стяжки, изоленту или клей.
- Защищайте подходящим образом каждое отверстие в наружной облицовке от попадания воды, например, путем установки кабеля с герметиком и нанесения герметика на кабель и проходную втулку.



УКАЗАНИЕ

Начинайте герметизацию отверстий только после того, как все работы по настройке камеры закончены и определены длины соединительных кабелей.

8 Монтаж камеры

8.1 Требуемый инструмент

Для **установки и монтажа** требуется следующий инструмент:

- Комплект сверл (рис. **1** 1, стр. 2)
- Дрель (рис. **1** 2, стр. 2)
- Отвертка (рис. **1** 3, стр. 2)
- Комплект накладных или рожковых гаечных ключей (рис. **1** 4, стр. 2)
- Линейка (рис. **1** 5, стр. 2)
- Молоток (рис. **1** 6, стр. 2)
- Кернер (рис. **1** 7, стр. 2)

Для **электрического подключения** и его проверки требуются следующие вспомогательные средства:

- Диодная контрольная лампа (рис. **1** 8, стр. 2) или вольтметр (рис. **1** 9, стр. 2)
- Изоляционная лента (рис. **1** 11, стр. 2)
- При известных обстоятельствах, проходные втулки

Для **крепления кабелей** могут потребоваться также дополнительные кабельные стяжки.

8.2 Монтаж камеры



ОСТОРОЖНО!

Выберите место монтажа камеры так и закрепите ее настолько надежно и безопасно, чтобы ни при каких обстоятельствах не могли получить травмы находящиеся вблизи люди, например, если задевшие крышу автомобиля ветки оборвут камеру.



УКАЗАНИЕ

Если вследствие установки камеры изменяется внесенная в документацию на автомобиль высота или длина автомобиля, то требуется повторная приемка компетентными органами (например, ГИБДД).

Органы ГИБДД должны внести отметку от новой приемке в документацию на автомобиль.

При монтаже соблюдайте следующие указания:

- Установите камеру на подходящий угол обзора на высоте не менее двух метров.
При монтаже обеспечивайте достаточно устойчивое рабочее место.
- Следите за тем, чтобы место монтажа камеры было достаточно прочным (например, задевающие крышу автомобиля ветки могут запутаться в камере).
- Установите держатель камеры горизонтально и по центру в задней части автомобиля (рис. **10**, стр. 5).
- Самый надежный метод крепления - это винты, проходящие через кузов. При этом соблюдайте следующие указания:
 - За выбранным положением монтажа должно иметься достаточно свободного места для монтажа.
 - Каждое отверстие должно быть подходящим образом защищено от попадания воды (например, путем установки винтов с герметиком и/или нанесения герметика на наружные крепежные элементы).
 - Кузов в месте крепления должен иметь достаточную прочность, чтобы можно было достаточно прочно закрепить держатель камеры.
- Предварительно проверьте, имеется ли достаточно свободного места для выхода сверла (рис. **2**, стр. 3).
- Если Вы не уверены в правильности выбора места монтажа, то обратитесь к изготовителю кузова или в его представительство.

**УКАЗАНИЕ**

Для уменьшения коррозии винтов смажьте резьбу консистентной смазкой.

При монтаже соблюдайте следующий порядок действий:

- ▶ Приложите держатель камеры к выбранному месту монтажа и разметьте не менее двух различных центров сверления (рис. **11**, стр. 5).
- ▶ Во избежание увода сверла предварительно накерните ранее размеченные центры, используя молоток и кернер.

Если Вы хотите привинтить камеру самонарезающими винтами (рис. **12, стр. 5)****ВНИМАНИЕ! Опасность повреждения!**

Крепление самонарезающими винтами разрешается выполнять только в стальных листах толщиной не менее 1,5 мм.

- ▶ Просверлите в ранее размеченных точках по одному отверстию 2 мм.
- ▶ Зачистите все отверстия и смажьте их антикоррозионным средством.
- ▶ Привинтите держатель камеры самонарезающими винтами 4 x 10 мм.

Если Вы хотите закрепить камеру шурупами через кузов (рис. **13, стр. 5)****ВНИМАНИЕ! Опасность повреждения!**

Убедитесь в том, что при затягивании гайки не продавливаются через кузов.

При необходимости, используйте большие подкладные шайбы или пластины.

- ▶ Просверлите в ранее размеченных точках по одному отверстию 6,5 мм.
- ▶ Зачистите все отверстия и смажьте их антикоррозионным средством.
- ▶ Привинтите держатель камеры шурупами М6 x 20 мм.
В зависимости от толщины кузова, могут потребоваться более длинные шурупы.

Выполнить отверстие для питающего кабеля камеры (рис. 14, стр. 5)**УКАЗАНИЕ**

Для ввода соединительных кабелей используйте, по возможности, имеющиеся сквозные отверстия, например, вентиляционные решетки. Если сквозные отверстия отсутствуют, необходимо просверлить отверстие 20 мм.

**ВНИМАНИЕ! Опасность повреждения!**

Предварительно проверьте, имеется ли достаточно свободного места для выхода сверла.

- Просверлите вблизи камеры отверстие 20 мм.
- Зачистите все отверстия в листе и смажьте их антикоррозионным средством.
- Во все отверстия с острыми краями установите проходные втулки.

Монтаж камеры**ВНИМАНИЕ! Опасность повреждения!**

Для монтажа камеры используйте только винты, входящие в объем поставки. Более длинные винты повреждают камеру.

- Вставьте камеру в держатель.
- Закрепите камеру **неплотно** двумя винтами М4 х 6 мм в боковых отверстиях (рис. 15, стр. 5).
- Временно расположите камеру так, чтобы объектив образовывал угол около 50° относительно вертикальной оси автомобиля (рис. 16, стр. 6).

Электрическое подключение камеры



УКАЗАНИЕ

- Прокладывайте кабель камеры так, что при возможно необходимом демонтаже камеры было легко доступным штекерное соединение между камерой и удлинительным кабелем. Это значительно облегчает демонтаж.
- Для уменьшения коррозии добавьте немного консистентной смазки, например, смазки для полюсов аккумуляторных батарей, в один из штекеров.
- При необходимости, предлагаются и другие удлинительные кабели (см. гл. «Принадлежности» на стр. 154).

- Введите кабель камеры внутрь автомобиля.
- Вставьте штекер кабеля камеры в гнездо удлинительного кабеля.
- Свинтите штекерное соединение для защиты от попадания воды (рис. **17**, стр. 6).

Регулировка камеры



УКАЗАНИЕ

Для регулировки камеры Вы должны вначале установки и присоединить монитор (см. принципиальную электрическую схему рис. **18**, стр. 6).

- Отрегулируйте камеру, основываясь на изображении на мониторе. У нижнего края изображения мониторе должна отображаться задняя часть или бампер Вашего автомобиля. Центр бампера также должен находиться в центре изображения на мониторе (рис. **19**, стр. 6).
- Проверьте работу камеру после того, как Вы присоединили ее к монитору.

Крепление камеры

- Затяните оба крепежных винта в боковых отверстиях держателя камеры.
- Вставьте боковые крышки в предназначенные для них боковые отверстия (рис. **20**, стр. 7) и закрепите их вращательным движением.
- Для снятия боковых крышек введите два тупых, плоских предмета в предназначенные для этого отверстия в крышках и поверните их.

9 Уход и очистка камеры



ВНИМАНИЕ! Опасность повреждения!

Не использовать для очистки острые или твердые инструменты, и. к. это может привести к повреждениям прибора.

- Периодически очищайте камеру мягкой, влажной тряпкой.

10 Гарантия

Действителен установленный законом срок гарантии. Если продукт неисправен, обратитесь в представительство изготовителя в Вашей стране (адреса см. на оборотной стороне инструкции) или в торговую организацию.

В целях проведения ремонта или гарантийного обслуживания Вы должны также послать следующее:

- неисправные компоненты,
- копию счета с датой покупки,
- причину рекламации или описание неисправности.

11 Утилизация

- По возможности, выкидывайте упаковочный материал в мусор, подлежащий вторичной переработке.



Если Вы окончательно выводите продукт из эксплуатации, то получите информацию в ближайшем центре по вторичной переработке или в торговой сети о соответствующих предписаниях по утилизации.

12 Технические данные

	PerfectView CAM55	PerfectView CAM55W
Арт. №:	9600000555	9600000556
Формирователь видеосигналов:	1/4" CMOS	
Точки изображения:	640 (Г) x 480 (В)	
Видеостандарт:	PAL, 1 Vpp	
Чувствительность:	< 1 лк / 0 лк с инфракрасными светодиодами	
Угол обзора:	ок. 120° по диагонали ок. 100° по горизонтали ок. 70° по вертикали	
Рабочее напряжение:	10 – 32 В==	
Потребляемая мощность:	макс. 4,1 Вт	
Рабочая температура:	от –30 °С до +70 °С	
Класс защиты:	IP69K	
Вибростойкость:	10 g	
Размеры, Ш x В x Г (с держателем):	80 x 50 x 62 мм	
Вес:	ок. 165 г	

Допуски

Прибор имеет допуск E13.



Przed instalacją i uruchomieniem urządzenia należy uważnie przeczytać niniejszą instrukcję. Instrukcję należy zachować. W razie przekazywania urządzenia należy ją udostępnić kolejnemu nabywcy.

Spis treści

1	Objaśnienia symboli	165
2	Uwagi dotyczące bezpieczeństwa i montażu	165
3	Zakres dostawy	168
4	Osprzęt	168
5	Użytkowanie zgodne z przeznaczeniem	168
6	Opis techniczny	169
7	Ogólne wskazówki dot. podłączenia elektrycznego	169
8	Montaż kamery	171
9	Pielęgnacja i czyszczenie kamery	175
10	Gwarancja	175
11	Utylizacja	176
12	Dane techniczne	176

1 Objąśnienia symboli

**OSTRZEŻENIE!**

Wskazówka dot. bezpieczeństwa: Nieprzestrzeganie może prowadzić do śmierci lub ciężkich obrażeń ciała.

**OSTROŻNIE!**

Wskazówka dot. bezpieczeństwa: Nieprzestrzeganie może prowadzić do obrażeń ciała.

**UWAGA!**

Nieprzestrzeganie może prowadzić do powstania szkód materialnych i zakłóceń w działaniu produktu.

**WSKAZÓWKA**

Informacje uzupełniające dot. obsługi produktu.

2 Uwagi dotyczące bezpieczeństwa i montażu

Należy stosować się do zasad dot. bezpieczeństwa i dokumentacji udostępnianych przez producentów urządzenia i pojazdu!

Producent nie odpowiada za szkody spowodowane:

- błędami powstałymi w trakcie montażu lub podłączania
- uszkodzeniem produktu w sposób mechaniczny lub spowodowany przeciążeniami elektrycznymi
- zmianami dokonanyymi w produkcie bez wyraźnej zgody producenta
- użytkowaniem w celach innych niż opisane w niniejszej instrukcji

Należy stosować się do następujących wskazówek:

- Ze względu na zagrożenie zwarciem w elektronice, przed wykonywaniem prac montażowych należy odłączyć biegun ujemny. Biegun ujemny należy odłączyć również od dodatkowego akumulatora (jeśli istnieje).

- Niewłaściwe połączenia przewodów mogą sprawić, że na skutek zwarcia dojdzie do:
 - spalenia kabli,
 - aktywowania poduszki powietrznej,
 - uszkodzenia urządzeń sterowniczych,
 - awarii funkcji elektrycznych (kierunkowskazów, światła hamowania, buzera, zapłonu, światła).
- Przy stosowaniu następujących przewodów należy używać tylko izolowanych końcówek kablowych, wtyczek i konektorów wtykowych płaskich:
 - 30 (stałe napięcie +12 V),
 - 15 (napięcie + 12 V „po stacyjce”),
 - 31 (przewód powrotny od akumulatora, połączenie z masą pojazdu),
 - 58 (światła cofania).

Zabronione jest używanie łączników świecznikowych.

- Do łączenia przewodów należy używać zaciskarek (rys. **1** 10, strona 2).
- Przewód należy przymocować śrubami przy przyłączach do przewodu 31 (masa)
 - za pomocą końcówki kablowej i podkładki zębatej do śruby masowej lub
 - za pomocą końcówki kablowej i wkrętu do blachy karoserii.

Należy zwrócić uwagę na prawidłowe połączenie masy!

Po odłączeniu bieguna ujemnego akumulatora następuje utrata wszystkich danych zapisanych w pamięci ulotnej.

- Wówczas konieczne jest ponowne ustawienie następujących danych (w zależności od wyposażenia pojazdu):
 - Kod radia
 - Zegar pojazdu
 - Zegar sterujący
 - Komputer pokładowy
 - Pozycja siedzenia

Wskazówki dot. ustawiania znajdują się w instrukcji obsługi pojazdu.

Podczas montażu należy stosować się do następujących wskazówek:

- Części kamery do umieszczenia w pojeździe należy montować tak, aby w żadnych warunkach nie mogło dojść do ich poluzowania (ostre hamowanie, wypadek komunikacyjny), a w konsekwencji do **obrażeń ciał pasażerów**.
- Części umieszczane pod osłoną należy mocować tak, aby w przyszłości nie mogło dojść do ich poluzowania lub uszkodzenia innych części i przewodów oraz nieprawidłowego działania innych funkcji (układ kierowniczy, pedały itd.).

- Podczas wiercenia należy pamiętać o pozostawieniu wystarczającej ilości miejsca na wylot wiertła. (rys. **2**, strona 3). Pozwoli to uniknąć ewentualnych uszkodzeń.
- Wywiercony otwór należy wygładzić a następnie zabezpieczyć środkiem antykorozyjnym.
- Należy zawsze stosować się do zasad bezpieczeństwa otrzymanych od producenta.
Niektóre prace (np. przy systemach zabezpieczających, takich jak zestaw poduszek powietrznych) mogą wykonywać jedynie odpowiednio przeszkoleni specjaliści.

Podczas pracy przy częściach elektrycznych należy stosować się do następujących wskazówek:

- Do sprawdzania napięcia w przewodach elektrycznych należy używać tylko diodowej lampki kontrolnej (rys. **1** 8, strona 2) lub woltomierza (rys. **1** 9, strona 2).
Lampki kontrolne z żarnikiem (rys. **1** 12, strona 2) pobierają za dużo prądu, co może skutkować uszkodzeniem elektroniki pojazdu.
- Podczas układania przyłączy elektrycznych należy sprawdzić, czy
 - nie są one zgięte lub przekręcone,
 - nie ocierają się o krawędzie,
 - zostały zabezpieczone przed ostro zakończonymi przepustami (rys. **3**, strona 3).
- Należy wykonać izolację wszystkich połączeń i przyłączy.
- Kabel należy zabezpieczyć przed uszkodzeniami mechanicznymi za pomocą zapinki lub taśmy izolującej, np. na istniejących przewodach.

Kamera jest wodoodporna. Jej uszczelki nie są jednak odporne na działanie myjki wysokociśnieniowej (rys. **4**, strona 3). Dlatego podczas korzystania z kamery należy stosować się do następujących wskazówek:

- Osoby (łącznie z dziećmi), które z powodu swych zdolności psychofizycznych, sensorycznych lub intelektualnych bądź niedoświadczenia lub niewiedzy nie są w stanie bezpiecznie używać urządzenia, nie powinny korzystać z niego bez nadzoru odpowiedzialnej osoby.
- Nie należy otwierać urządzenia, ponieważ otwieranie może wpłynąć negatywnie na jej szczelność i sprawność (rys. **5**, strona 3).
- Nie należy pociągać za przewody, ponieważ może to wpłynąć negatywnie na szczelność i sprawność urządzenia (rys. **6**, strona 3).
- Kamera nie nadaje się do zastosowania pod wodą (rys. **7**, strona 3).

3 Zakres dostawy

Nr na rys. 8 , strona 4	Ilość	Nazwa	Nr produktu
1	1	Kamera kolorowa CAM55 Kamera kolorowa CAM55W	9600000555 9600000556
2	1	Uchwyt kamery	
3	2	Oslony boczne	
4	1	Przewód przedłużający	9600000208

4 Osprzęt

Dostępne jako osprzęt (nieobjęte zakresem dostawy):

Nazwa	Nr produktu
Przewód przedłużający 5 m	9600000206
Przewód przedłużający 10 m	9600000207
Przewód przedłużający 20 m	9600000208
Przewód spiralny dla przyczepy SPK170	9600000235

5 Użytkowanie zgodne z przeznaczeniem

Kamery kolorowe CMOS CAM55 (nr produktu 9600000555) i CAM55W (nr produktu 9600000556) zaprojektowano przede wszystkim do użytku w pojazdach. Kamery te znajdują zastosowanie w systemach wideo służących do obserwowania obszaru wokół pojazdu z pozycji fotela kierowcy np. podczas manewrowania lub parkowania.



OSTRZEŻENIE!

Niebezpieczeństwo obrażeń ciała związane z pojazdem. Systemy wideo ułatwiające cofanie zapewniają pomoc podczas jazdy wstecz, jednakże **nie zwalniają kierowcy z obowiązku zachowania szczególnej ostrożności w trakcie wykonywania tego manewru.**

6 Opis techniczny

Kamera ze zintegrowanym mikrofonem jest umieszczona w aluminiowej obudowie i przesyła obraz oraz dźwięk za pomocą przewodu do monitora. Diody LED na podczerwień zapewniają lepszą widoczność w nocy.

Kamera przekazuje obraz porównywalny z tym uzyskiwanym za pomocą lusterka wstecznego.

Kamera składa się m.in. z następujących elementów:

Nr na rys. 9, strona 4	Nazwa
1	6-biegunowy przewód przyłączeniowy
2	Diody LED na podczerwień
3	Mikrofon

7 Ogólne wskazówki dot. podłączenia elektrycznego

7.1 Układanie przewodów



UWAGA! Niebezpieczeństwo uszkodzenia!

- Przed rozpoczęciem wiercenia należy sprawdzić, czy jest wystarczająco dużo miejsca na wylot wiertła.
- Nieprawidłowe ułożenie i połączenie kabli prowadzi do wadliwego działania lub uszkodzenia części. Prawidłowe ułożenie lub połączenie kabli stanowi warunek trwałego i niezakłóconego funkcjonowania montowanych dodatkowo elementów wyposażenia.
- Przewody nie mogą mieć przez dłuższy czas kontaktu z rozpuszczalnikami (np. z benzyną) ze względu na ryzyko uszkodzenia.

Dlatego należy stosować się do następujących wskazówek:

- Do przeciągnięcia kabli przyłączeniowych należy użyć w miarę możliwości oryginalnych przepustów lub innych przejść, jak np. krawędzie osłony, kratka wentylacyjna lub ślepy włącznik. W przypadku braku przepustów należy wywiercić na przewody odpowiednie otwory. Przedtem konieczne jest sprawdzenie, czy jest wystarczająco dużo miejsca na wylot wiertła.

- W miarę możliwości przewody należy kłaść zawsze we wnętrzu pojazdu, ponieważ tam są lepiej zabezpieczone niż na zewnątrz, przy pojeździe. Jeśli jednak mimo to przewody będą kładzione na zewnątrz, należy pamiętać o ich odpowiednim zamocowaniu (należy zastosować dodatkowe zapinki, taśmy izolujące itd.).
- Aby uniknąć uszkodzeń przewodów podczas ich układania, należy zachować wystarczającą odległość od gorących i ruchomych części pojazdu (rur wydechowych, wałków napędowych, alternatora, wentylatorów, ogrzewania, itd.). W celu zapewnienia ochrony mechanicznej należy zastosować rurę osłonową lub podobne materiały zabezpieczające.
- Połączenie wtykowe należy przymocować za pomocą śrub w celu ochrony przed wnikaniem wody (rys. **17**, strona 6).
- Podczas układania kabli należy sprawdzić, czy
 - nie są one mocno zgięte lub skręcone,
 - nie ocierają się o krawędzie,
 - zostały zabezpieczone przed ostro zakończonymi przepustami (rys. **3**, strona 3).
- Przewody w pojeździe należy przymocować tak, aby nie doszło do ich zaplątania (obsunięcia). Można użyć do tego zapinek, taśmy izolującej lub kleju.
- Każde wycięcie w powłoce zewnętrznej należy odpowiednio zabezpieczyć przed wodą, np. poprzez włożenie przewodu z masą uszczelniającą i spryskanie go oraz tulejki przepustowej tą masą.

**WSKAZÓWKA**

Do uszczelnienia wycięcia można przystąpić dopiero po przeprowadzeniu wszystkich prac nastawczych przy kamerze oraz w przypadku, gdy ustalone są wymagane długości przewodów przyłączeniowych.

8 Montaż kamery

8.1 Potrzebne narzędzia

Do **montażu** potrzebne są następujące narzędzia:

- Zestaw wiertel (rys. **1** 1, strona 2)
- Wiertarka (rys. **1** 2, strona 2)
- Śrubokręty (rys. **1** 3, strona 2)
- Zestaw kluczy oczkowych lub płaskich (rys. **1** 4, strona 2)
- Miarka (rys. **1** 5, strona 2)
- Młotek (rys. **1** 6, strona 2)
- Punktak (rys. **1** 7, strona 2)

Do **podłączenia elektrycznego** i jego sprawdzenia potrzebne są następujące środki pomocnicze:

- Lampka kontrolna diodowa (rys. **1** 8, strona 2) lub woltomierz (rys. **1** 9, strona 2)
- Taśma izolacyjna (rys. **1** 11, strona 2)
- Ew. tulejki przepustowe do kabli

Do **przymocowania przewodów** mogą być potrzebne dodatkowe zapinki.

8.2 Montaż kamery



OSTROŻNIE!

Wybierając miejsce do montażu i mocując kamerę, należy zapewnić bezpieczeństwo osób, które mogą znaleźć się w jej pobliżu. Ewentualne zagrożenie może zostać spowodowane np. oderwaniem kamery przez gałęzie znajdujące się nad dachem pojazdu.



WSKAZÓWKA

Jeśli zamontowanie kamery powoduje zmianę wysokości i długości pojazdu umieszczonej w dokumentach pojazdu, konieczny jest ponowny odbiór przez uprawnioną jednostkę certyfikującą (TÜV, DEKRA itd.).

Fakt dokonania ponownego odbioru należy zgłosić do wpisania przez urząd ruchu drogowego do dokumentów pojazdu.

Podczas montażu należy stosować się do następujących wskazówek:

- Aby uzyskać odpowiedni kąt widzenia, kamerę należy umieścić na wysokości co najmniej dwóch metrów.
Podczas montażu należy zapewnić sobie wystarczająco dużo miejsca do stania.
- Należy zwrócić uwagę na to, czy miejsce montażu cechuje się wystarczającą wytrzymałością (czy np. w kamerę nie mogą się wplątać gałęzie znajdujące się nad dachem pojazdu).
- Uchwyt kamery należy zamontować poziomo, na środku tyłu pojazdu (rys. **10**, strona 5).
- Najlepszym sposobem zamocowania jest użycie śrub przechodzących przez ściankę nadwozia. Należy stosować się do następujących wskazówek:
 - Za wybraną pozycją montażową musi być wystarczająco dużo miejsca dla montażu.
 - Każde wycięcie w warstwie zewnętrznej należy odpowiednio zabezpieczyć przed wodą (np. poprzez umieszczenie w nim śrub z masą uszczelniającą i/lub spryskanie zewnętrznych części mocujących tą masą).
 - Nadwozie w miejscu mocowania musi być odpowiednio wytrzymałe – tak, aby można było dostatecznie mocno dociągnąć uchwyt kamery.
- Przedtem należy sprawdzić, czy jest odpowiednio dużo miejsca na wyjście wiertła (rys. **2**, strona 3).
- W przypadku wątpliwości co do wyboru miejsca montażu należy skontaktować się z producentem nadwozia lub jego przedstawicielem.



WSKAZÓWKA

Aby zminimalizować ryzyko korozji śrub, należy nasmarować gwinty środkiem smarnym.

Podczas montażu należy postępować w następujący sposób:

- Przytrzymać uchwyt kamery w wybranym miejscu montażu, a następnie zaznaczyć co najmniej dwa punkty nawiercania (rys. **11**, strona 5).
- Wykonać punktowanie w uprzednio zarysowanych miejscach za pomocą młotka i punktaka; pozwoli to uniknąć umieszczenia wiertła w nieprawidłowym miejscu.

Mocowanie kamery za pomocą wkrętów do blachy (rys. **12, strona 5)**



UWAGA! Niebezpieczeństwo uszkodzenia!

Mocowanie za pomocą wkrętów można przeprowadzać tylko w blachach stalowych o minimalnej grubości wynoszącej 1,5 mm.

- W uprzednio zaznaczonych punktach wywierć otwory o średnicy 2 mm.
- Wszystkie wywiercone otwory wygładź i zabezpiecz preparatem antykorozyjnym.
- Uchwyt kamery przykręć za pomocą wkrętów do blachy o wymiarze 4 x 10 mm.

Mocowanie kamery za pomocą śrub gwintowanych do nadwozia (rys. 13, strona 5)



UWAGA! Niebezpieczeństwo uszkodzenia!

Należy uważać, aby podczas dociągania nakrętek nie przecisnęły się one przez ściankę nadwozia.

W razie potrzeby należy użyć większych podkładek lub płytek blaszanych.

- W uprzednio zaznaczonych punktach wywierć otwory o średnicy 6,5 mm.
- Wszystkie wywiercone otwory wygładź i zabezpiecz preparatem antykorozyjnym.
- Uchwyt kamery przykręć za pomocą śrub gwintowanych o wymiarze M6 x 20 mm.
W zależności od wytrzymałości nadwozia potrzebne są dłuższe lub krótsze śruby gwintowane.

Wykonanie wycięcia na przewód przyłączeniowy kamery (rys. 14, strona 5)



WSKAZÓWKA

Do przeprowadzania przewodów przyłączeniowych należy stosować w miarę możliwości istniejące elementy, np. kratki wentylacyjne.

W przypadku braku przepustów należy wywiercić otwór o wymiarze 20 mm.



UWAGA! Niebezpieczeństwo uszkodzenia!

Należy koniecznie sprawdzić, czy istnieje odpowiednio dużo miejsca na wylot wiertła.

- W pobliżu kamery należy wywiercić otwór o średnicy 20 mm.
- Wszystkie otwory wywiercone w blasze należy wygładzić i zabezpieczyć preparatem antykorozyjnym.
- Wszystkie ostro zakończone przepusty należy zabezpieczyć tulejką przepustową.

Montaż kamery



UWAGA! Niebezpieczeństwo uszkodzenia!

Do montażu kamery należy użyć tylko dołączonych śrub. Dłuższe śruby spowodują jej uszkodzenie.

- Wsuń kamerę w uchwyt.
- Umocować kamerę **luźno** za pomocą dwóch śrub M4 x 6 mm w otworach bocznych (rys. **15**, strona 5).
- Ustaw kamerę prowizorycznie tak, aby obiektyw tworzył z pionową osią pojazdu kąt ok. 50° (rys. **16**, strona 6).

Podłączanie elektryczne kamery



WSKAZÓWKA

- Przewód kamery należy położyć tak, aby w razie zaistnienia konieczności demontażu można było w łatwy sposób uzyskać dostęp do połączenia wtyczkowego pomiędzy kamerą a przewodem przedłużającym. Ułatwi to w znacznym stopniu demontaż.
- Aby zminimalizować ryzyko korozji wtyczki, należy posmarować jej środek, przykładowo, smarem biegunowym.
- W razie potrzebny dostępne są inne przewody przedłużające (zob. rozdz. „Osprzęt” na stronie 168).

- Wprowadź przewód kamery do wnętrza pojazdu.
- Należy włożyć wtyczkę przewodu kamery do gniazda wtykowego przewodu przedłużającego.
- Połączenie wtykowe należy przymocować za pomocą śrub w celu ochrony przed wnikiem wody (rys. **17**, strona 6).

Ustawianie kamery



WSKAZÓWKA

Aby można było ustawić kamerę, należy najpierw zamontować i podłączyć elektrycznie monitor (zob. zasadniczy schemat połączeń rys. 18, strona 6).

- Ustaw kamerę za pomocą obrazu na monitorze:
Na monitorze, w dolnej krawędzi obrazu, powinien być widoczny tył lub zderzak pojazdu. Środek zderzaka powinien być jednocześnie środkiem obrazu (rys. 19, strona 6).
- Po podłączeniu monitora sprawdź działanie kamery.

Mocowanie kamery

- Dokręcić obie śruby mocujące w bocznych otworach uchwytu kamery.
- Wczepić osłony boczne w odpowiednie boczne otwory (rys. 20, strona 7) i przymocować je ruchem obrotowym.
- W celu usunięcia osłon bocznych wprowadzić w odpowiednie otwory dwa stępione, płaskie przedmioty i je przekręcić.

9 Pielęgnacja i czyszczenie kamery



UWAGA! Niebezpieczeństwo uszkodzenia!

Do czyszczenia nie należy używać ostrych i twardych środków; mogą one uszkodzić urządzenie.

- Od czasu do czasu czyść kamerę wilgotną ściereczką.

10 Gwarancja

Warunki gwarancji zostały opisane w Karcie Gwarancyjnej dołączonej do produktu.

W celu naprawy lub rozpatrzenia gwarancji konieczne jest przesłanie:

- uszkodzonych komponentów,
- kopii rachunku z datą zakupu,
- informacji o przyczynie reklamacji lub opisu wady.

11 Utylizacja

- Opakowanie należy wyrzucić do odpowiedniego pojemnika na śmieci do recyklingu.



Jeżeli produkt nie będzie dłużej eksploatowany, koniecznie dowiedz się w najbliższym zakładzie recyklingu lub w specjalistycznym sklepie, jakie są aktualnie obowiązujące przepisy dotyczące utylizacji.

12 Dane techniczne

	PerfectView CAM55	PerfectView CAM55W
Nr produktu:	9600000555	9600000556
Czujnik obrazu:	1/4" CMOS	
Punkty obrazowe:	640 (H) x 480 (V)	
Standard video:	PAL, 1 Vpp	
Czułość:	< 1 lux / 0 lux z podczerwonymi diodami LED	
Kąt widzenia:	ok. 120° po przekątnej ok. 100° w poziomie ok. 70° w pionie	
Napięcie robocze:	10 – 32 V $\overline{=}$	
Zużycie energii:	maks. 4,1 W	
Temperatura robocza:	-30 °C do +70 °C	
Stopień ochrony:	IP69K	
Odporność na wibracje:	10 g	
Wymiary szer. x wys. x gł. (z uchwytem):	80 x 50 x 62 mm	
Waga:	ok. 165 g	

Atesty

Urządzenie posiada atest E13.



Pred montážou a uvedením do prevádzky si prosím pozorne prečítajte tento návod a odložte si ho. V prípade odovzdania výrobku ďalšiemu používateľovi mu odovzdajte aj tento návod.

Obsah

1	Vysvetlenie symbolov	178
2	Pokyny týkajúce sa bezpečnosti a montáže	178
3	Obsah dodávky	181
4	Príslušenstvo	181
5	Používanie v súlade s určením	181
6	Technický opis	182
7	Upozornenia a pokyny týkajúce sa elektrického zapojenia	182
8	Montáž kamery	183
9	Ošetrovanie a čistenie kamery	188
10	Záruka	188
11	Likvidácia	188
12	Technické údaje	189

1 Vysvetlenie symbolov

**VÝSTRAHA!**

Bezpečnostný pokyn: Nerešpektovanie môže viesť k smrti alebo k ťažkému zraneniu.

**UPOZORNENIE!**

Bezpečnostný pokyn: Nerešpektovanie môže viesť k zraneniam.

**POZOR!**

Nerešpektovanie môže viesť k materiálnym škodám a môže ovplyvniť funkciu zariadenia.

**POZNÁMKA**

Doplňujúce informácie k obsluhu výrobku.

2 Pokyny týkajúce sa bezpečnosti a montáže

Dodržiavajte bezpečnostné pokyny a podmienky predpísané výrobcom vozidla a združením automobilového priemyslu!

Výrobca v nasledujúcich prípadoch nepreberá za škody žiadnu záruku:

- Chyby montáže alebo pripojenia
- Poškodenia produktu mechanickými vplyvmi a prepätiami
- Zmeny produktu bez vyjadreného povolenia výrobcu
- Použitie na iné účely ako sú účely uvedené v návode

Rešpektujte nasledovné upozornenia:

- Pred začatím prác na elektrickom zariadení vozidla vždy najprv odpojte záporný pól, aby sa vylúčilo nebezpečenstvo skratu.
Ak má vozidlo prídavnú batériu, aj na nej musíte odpojiť záporný pól.

- Nedostatočné spojenia vodičov môžu mať za následok, že na základe skratu
 - vznikne požiar z káblov,
 - aktivuje sa airbag,
 - poškodia sa riadiace zariadenia,
 - vypadnú elektrické funkcie (smerové svetlá, brzdové svetlo, klaksón, zapalovanie, svetlá).
- Pri prácach na nasledovných vedeniach používajte len izolované káblové koncovky, konektory a ploché dutinky na konektor:
 - 30 (vstup z batérie, kladné napätie, priamo),
 - 15 (zopnuté kladné napätie, za batériou),
 - 31 (spätný vodič od batérie, kostra),
 - 58 (spätné svetlomety).

Nepoužívajte svietidlové spojky.

- Na spojenie káblov použite krimpovacie kliešte (obr. **1** 10, strane 2).
 - Priskrutkujte kábel pri zapojeniach na vodič 31 (kostra)
 - spolu s káblovou koncovkou a ozubenou podložkou na ukostrovaciu skrutku vozidla alebo
 - spolu s káblovou koncovkou a skrutkou na plech na plech karosérie.
- Dbajte na to, aby bol prenos na kostru dostatočný!

Pri odpojení záporného pólu batérie stratia všetky prechodné pamäte komfortnej elektroniky svoje uložené údaje.

- V závislosti od vyhotovenia vozidla je potrebné znova nastaviť nasledovné údaje:
 - Kód rádia
 - Hodiny vozidla
 - Spínacie hodiny
 - Palubný počítač
 - Poloha sedadiel

Pokyny na nastavenie nájdete v príslušnom návode na používanie.

Pri montáži dodržiavajte nasledovné pokyny:

- Upevnite časti kamery namontované vo vozidle tak, aby sa za žiadnych okolností (prudké zabrzdzenie, dopravná nehoda) neuvolnili a nemohli spôsobiť **poranenia posádky vozidla**.
- Upevnite časti systému tak, že ich skryjete pod obloženie, a to tak, aby sa neuvolnili alebo nepoškodili iné časti alebo iné vedenia a aby sa nepriaznivo neovplyvnili funkcie vozidla (riadenie, pedále atď.).
- Pri vŕtaní dajte pozor, aby mal vrták na výstupe dostatok priestoru, aby sa predišlo poškodeniam (obr. **2**, strane 3).

- Odstráňte výronky z každého vyvrtaného otvoru a ošetríte ich antikoróznym prostriedkom.
- Vždy dodržiavajte bezpečnostné upozornenia výrobcu vozidla. Niektoré práce (napr. na zadržiavacích systémoch ako AIRBAG atď.) smie vykonávať len vyškolený odborný personál.

Pri práci na elektrických častiach dodržiavajte nasledovné pokyny:

- Na kontrolu napätia v elektrických vedeniach používajte len diódovú skúšobnú lampu (obr. **1** 8, strane 2) alebo voltmeter (obr. **1** 9, strane 2). Skúšobnou lampu s osvetľovacím telesom (obr. **1** 12, strane 2) zachyťte príliš vysoký prúd, ktorým by sa mohla poškodiť elektronika vozidla.
- Pri uložení elektrického pripojenia dávajte pozor,
 - aby kábel nebol silno stlačený alebo prekrútený,
 - aby sa neodieral o hrany,
 - aby bez ochrany nevedol cez ostré prechody (obr. **3**, strane 3).
- Zaizolujte všetky spojenia a prípojky.
- Zaistite káble proti mechanickému namáhaniu pomocou viazačov káblov alebo izolačnej pásky, napr. existujúce vedenia.

Kamera je vodotesná. Tesnenia kamery však neodolajú tlaku vysokotlakového čističa (obr. **4**, strane 3). Pri manipulácii s kamerou dodržiavajte nasledovné upozornenia:

- Osoby (vrátane detí), ktoré z dôvodu ich fyzických, zmyslových alebo duševných schopností alebo ich neskúsenosti alebo neznalosti nie sú schopné bezpečne používať tento výrobok, by ho nemali používať bez dozoru alebo poučenia zodpovednou osobou.
- Neotvárajte kameru, pretože by to mohlo nepriaznivo ovplyvniť jej tesnosť a funkčnosť (obr. **5**, strane 3).
- Neťahajte kábel, pretože to môže nepriaznivo ovplyvniť tesnosť a funkčnosť kamery (obr. **6**, strane 3).
- Kamera nie je vhodná na prevádzku pod vodou (obr. **7**, strane 3).

3 Obsah dodávky

Č. na obr. 8, strane 4	Množstvo	Označenie	Č. výrobku
1	1	Farebná kamera CAM55 Farebná kamera CAM55W	9600000555 9600000556
2	1	Držiak kamery	
3	2	Bočné kryty	
4	1	Predlžovací kábel	9600000208

4 Príslušenstvo

Dostupné ako príslušenstvo (nie je súčasťou dodávky):

Označenie	Č. výrobku
Predlžovací kábel 5 m	9600000206
Predlžovací kábel 10 m	9600000207
Predlžovací kábel 20 m	9600000208
Špirálový kábel pre prevádzku s príviesom SPK170	9600000235

5 Používanie v súlade s určením

Farebná CMOS kamera CAM55 (č. výrobku 9600000555) a farebná kamera CAM55W (č. výrobku 9600000556) sú určené prednostne na používanie vo vozidlách. Sú použiteľné vo videosystémoch, ktoré slúžia na sledovanie priestoru okolo vozidla zo sedadla vodiča, napr. pri posunovaní alebo parkovaní.



VÝSTRAHA!

Nebezpečenstvo ublíženia na zdraví vychádzajúce z vozidla. Cúvacie videosystémy predstavujú pomoc pri cúvaní, avšak **nezbavujú vodičov mimoriadnej opatrnosti pri cúvaní.**

6 Technický opis

Kamera s integrovaným mikrofónom je umiestnená v hliníkovom kryte a káblom prenáša obraz a zvuk na monitor. Infračervené LED zlepšujú viditeľnosť za tmy.

Kamera sprostredkuje obraz, ako keby ste pozerali do spätného zrkadla.

Kamera pozostáva o. i. z nasledovných prvkov:

Č. na obr. 9, strane 4	Označenie
1	6-pólový prípojný kábel
2	Infračervené LED
3	Mikrofón (zadná strana)

7 Upozornenia a pokyny týkajúce sa elektrického zapojenia

7.1 Uloženie káblov



POZOR! Nebezpečenstvo poškodenia!

- Pred vŕtaním otvorov skontrolujte, či je dostatok voľného priestoru pre výstup vrtáka.
- Neodborné uloženie kábla a káblových spojení vedie k chybnnej činnosti alebo poškodeniu konštrukčných dielcov. Správne uloženie kábla, príp. káblových spojení je základným predpokladom trvalej a bezchybnnej činnosti dodatočne namontovaných komponentov.
- Káble nesmú prichádzať dlhší čas do styku s rozpúšťadlami, pretože tie by mohli káble poškodiť.

Rešpektujte preto nasledovné upozornenia:

- Na prechod prípojného kábla použite podľa možností originálne priechodky alebo iné možnosti prechodu napr. obloženie hrán, ventilačné mriežky alebo slepé spínače. Ak nie sú k dispozícii žiadne prechody, musia sa pre káble vyvŕtať vhodné otvory. Najprv zistite, či je dostatok voľného priestoru pre výstup vrtáka.

- Uložte káble podľa možnosti vždy vnútri vozidla, pretože tam budú lepšie chránené ako vonku na vozidle.
Ak aj napriek tomu uložíte káble mimo vozidla, dbajte na ich bezpečné upevnenie (prídavným viazačom káblov, izolačnou páskou atď.).
- Aby sa predišlo poškodeniu káblov, dodržiavajte pri uložení kábla dostatočný odstup od horúcich a pohyblivých častí vozidla (výfukové vedenie, hnacie hriadele, alternátor, ventilátor, kúrenie atď.). Na mechanickú ochranu použite vlnitú rúrku alebo podobné ochranné materiály.
- Zaskrutkujte zástrčkové spoje spájacích káblov na ochranu proti vniknutiu vody (obr. **17**, strane 6).
- Pri uložení kábla dávajte pozor,
 - aby nebol silno stlačený alebo prekrútený,
 - aby sa neodieral o hrany,
 - aby bez ochrany nevedol cez ostré prechody (obr. **3**, strane 3).
- Upevnite káble bezpečne vo vozidle, aby ste predišli zamotaniu (nebezpečenstvo pádu). Možno tak urobiť použitím viazačov káblov, izolačnej pásky alebo prilepením lepidlom.
- Každý vytvorený otvor chráňte zvonku vhodnými opatreniami pred vniknutím vody, napr. použitím kábla s tesnivom a zastrekaním kábla a priechodky tesnivom.



POZNÁMKA

S utesňovaním vytvorených otvorov začnite až po ukončení všetkých prác na kamere a po určení potrebnej dĺžky káblov.

8 Montáž kamery

8.1 Potrebne náradie

Na **zabudovanie a montáž** potrebujete nasledovné náradie:

- Súprava vrtákov (obr. **1** 1, strane 2)
- Vrtáčka (obr. **1** 2, strane 2)
- Skrutkovač (obr. **1** 3, strane 2)
- Súprava prstencových alebo otvorených kľúčov (obr. **1** 4, strane 2)
- Meradlo (obr. **1** 5, strane 2)
- Kladivo (obr. **1** 6, strane 2)
- Jamkovač (obr. **1** 7, strane 2)

Na **elektrické zapojenie** a jeho preskúšanie potrebujete nasledovné pomôcky:

- Diódová skúšobná lampa (obr. **1** 8, strane 2) alebo voltmeter (obr. **1** 9, strane 2)
- Izolačná páska (obr. **1** 11, strane 2)
- Príp. káblové priechodky

Na **upevnenie káblov** potrebujete príp. ešte ďalšie viazače káblov.

8.2 Montáž kamery



UPOZORNENIE!

Zvoľte miesto pre kameru a upevnite ju tak bezpečne, aby sa za žiadnych okolností osoby nachádzajúce sa v blízkosti nemohli poraniť, napr. tým, že konáre, ktoré zasiahnu strechu vozidla, odtrhnú kameru.



POZNÁMKA

Ak sa montážou kamery zmení výška alebo dĺžka vozidla zaznamenaná v technickom preukaze vozidla, musí sa zabezpečiť nové schválenie zo strany kompetentných miest (TÜV, DEKRA atď.).

Nové schválenie dajte zaznamenať príslušným dopravným inšpektorátom do technického preukazu vozidla.

Pri montáži dodržiavajte nasledovné pokyny:

- Aby mala kamera účelný uhol pohľadu, umiestnite ju minimálne vo výške dvoch metrov.
Pri montáži dbajte, aby ste mali dostatočne stabilné pracovné miesto.
- Dbajte na to, aby miesto montáže kamery bolo dostatočne pevné (napr. konáre, ktoré zasiahnu strechu vozidla, sa môžu do kamery zapliesť).
- Držiak kamery namontujte vodorovne a do stredu zadnej časti vozidla obr. **10**, strane 5).
- Najbezpečnejší spôsob upevnenia sú skrutky, ktoré prechádzajú konštrukciou. Rešpektujte pritom nasledovné upozornenia:
 - Za zvolenej montážnou polohou musí byť dostatok voľného priestoru na montáž.
 - Každý vytvorený otvor sa musí chrániť vhodnými opatreniami proti vniknutiu vody (napr. použitím skrutiek s tesnivom a/alebo zastrešenie upevňovacích skrutiek tesnivom zvonku).
 - Nadstavba na mieste upevnenia musí byť dostatočne pevná, aby sa držiak kamery dal dostatočne utiahnuť.

- Najprv skontrolujte, či je dostatok voľného priestoru pre výstup vrtáka (obr. **2**, strane 3).
- Ak nie ste si istí zvoleným miestom montáže, informujte sa u výrobcu nadstavby alebo jeho zastúpenia.

**POZNÁMKA**

Aby sa minimalizovala korózia skrutiek, závitov namastite.

Pri montáži postupujte takto:

- Držiak kamery pridržte na zvolenom mieste montáže a označte minimálne dva rôzne body vrtania (obr. **11**, strane 5).
- Najprv si predznačte otvor kladivom a jamkovačom, aby ste predišli sklúznutiu vrtáka.

Keď chcete kameru priskrutkovať skrutkami na plech (obr. **12, strane 5)****POZOR! Nebezpečenstvo poškodenia!**

Upevniť skrutkami na plech sa smie len na plech s minimálnou hrúbkou 1,5 mm.

- Predtým vyvrtajte v naznačených bodoch otvor \varnothing 2 mm.
- Všetky otvory zbavte výronkov a ošetríte antikoróznym prostriedkom.
- Držiak kamery priskrutkujte závitovými skrutkami M6 x 20 mm.

Keď chcete kameru upevniť závitovými skrutkami cez konštrukciu (obr. **13, strane 5)****POZOR! Nebezpečenstvo poškodenia!**

Dbajte na to, aby sa matice pri uťahovaní nedali pretiahnuť cez konštrukciu.

V prípade potreby použite väčšie podložky alebo plátky plechu.

- Predtým vyvrtajte v naznačených bodoch otvor \varnothing 6,5 mm.
- Všetky otvory zbavte výronkov a ošetríte antikoróznym prostriedkom.
- Držiak kamery priskrutkujte skrutkami na pech M3 x 20 mm.
Podľa hrúbky konštrukcie použite potrebnú dĺžku závitových skrutiek.

Vytvorenie otvoru pre prípojný kábel kamery (obr. 14, strane 5)**POZNÁMKA**

Na prechod prípojného kábla použite podľa možnosti originálne prechody, napr. ventilačné mriežky. Ak nie sú k dispozícii žiadne prechody, musí sa pre kábel vyvŕtať otvor Ø 16 mm.

**POZOR! Nebezpečenstvo poškodenia!**

Najprv skontrolujte, či je dostatok voľného priestoru pre výstup vrtáka.

- V blízkosti kamery vyvŕtajte otvor Ø 16 mm.
- Všetky otvory vytvorené v plechu zbavte výronkov a ošetríte antikoróznym prostriedkom.
- Všetky priechody s ostrými hranami opatrite priechodkou.

Montáž kamery**POZOR! Nebezpečenstvo poškodenia!**

Na montáž kamery použite len dodané skrutky. Dlhšie skrutky poškodia kameru.

- Vsuňte kameru do držiaka.
- Kameru **voľne** upevnite dvomi skrutkami M4 x 6 mm do bočných otvorov (obr. 15, strane 5).
- Kameru provizórne vyrovnajte tak, aby objektív tvoril cca 50° uhol so zvislou osou vozidla (obr. 16, strane 6).

Elektrické zapojenie kamery



POZNÁMKA

- Kábel kamery uložte tak, aby ste sa v prípade potreby demontáže kamery ľahko dostali k zástrčkovému spoju kamery a predĺžovacieho kábla. Demontáž sa tým výrazne zjednoduší.
- Aby sa minimalizovala korózia konektora, dajte malé množstvo masiva, napr. masiva na póly, do konektora.
- Ďalšie predĺžovacie káble si v prípade potreby môžete zakúpiť (pozri kap. „Príslušenstvo“ na strane 181).

- Kábel kamery zaveďte do vnútra vozidla.
- Zasuňte konektor kábla kamery do zásuvky predĺžovacieho kábla.
- Zaskrutkujte zástrčkové spoje na ochranu proti vniknutiu vody (obr. **17**, strane 6).

Vyrovnanie kamery



POZNÁMKA

Pred vyrovnaním kamery musíte najprv namontovať monitor a uskutočniť jeho elektrické zapojenie (pozri princíp na schéme zapojenia obr. **18**, strane 6).

- Vyrovnejte kameru podľa obrazu monitora:
Obraz monitora by mal zobrazovať dolný okraj obrazu zadnej časti, príp. nárazníka vášho vozidla. Stred nárazníka by mal byť v strede obrazu monitora (obr. **19**, strane 6).
- Po pripojení kamery na monitor skontrolujte jej funkcie.

Upevnenie kamery

- Dotiahnite obidve upevňovacie skrutky v bočných otvoroch držiaka kamery.
- Zaklapnite bočné kryty do príslušných bočných otvorov (obr. **20**, strane 7) a upevnite ich otočením
- Bočné kryty môžete odstrániť zavedením dvoch tupých plochých predmetov do príslušných otvorov na kryte a pootočením.

9 Ošetrovanie a čistenie kamery



POZOR! Nebezpečenstvo poškodenia!

Na čistenie nepoužívajte ostré prostriedky, pretože by mohli poškodiť prístroj.

- Kameru príležitostne vyčistite mäkkou, navlhčenou handričkou.

10 Záruka

Platí zákonom stanovená záručná lehota. Ak by bol výrobok chybný, obráťte sa na pobočku výrobcu vo vašej krajine (adresy pozri na zadnej strane návodu) alebo na vášho špecializovaného predajcu.

Ak žiadate o vybavenie opravy alebo nárokov vyplývajúcich zo záruky, musíte priložiť nasledovné:

- chybné komponenty,
- kópiu faktúry s dátumom kúpy,
- dôvod reklamácie alebo opis chyby.

11 Likvidácia

- Obalový materiál podľa možnosti odovzdajte do príslušného odpadu na recykláciu.



Keď výrobok definitívne vyradíte z prevádzky, informujte sa v najbližšom recyklačnom stredisku alebo u vášho špecializovaného predajcu o príslušných predpisoch týkajúcich sa likvidácie.

12 Technické údaje

	PerfectView CAM55	PerfectView CAM55W
Č. výrobku:	9600000555	9600000556
Snímač obrazu:	1/4" CMOS	
Obrazové prvky:	640 (H) x 480 (V)	
Štandard video režimu:	PAL, 1 Vpp	
Citlivosť:	< 1 lux / 0 lux s infračervenými LED	
Uhol pohľadu:	cca 120° diagonálne cca 100° horizontálne cca 70° vertikálne	
Prevádzkové napätie:	10 – 32 V $\overline{=}$	
Spotreba:	max. 4,1 W	
Prevádzková teplota:	-30 °C až +70 °C	
Trieda ochrany:	IP69K	
Odolnosť voči vibráciám:	10 g	
Rozmery Š x V x H (s držiakom):	80 x 50 x 62 mm	
Hmotnosť:	cca 165 g	

Povolenia

Prístroj má certifikát E13.



Před zahájením instalace a uvedením do provozu si pečlivě přečtěte tento návod a uschovejte jej. V případě dalšího prodeje výrobku předejte návod novému uživateli.

Obsah

1	Vysvětlení symbolů	191
2	Bezpečnostní pokyny a pokyny k instalaci	191
3	Rozsah dodávky	194
4	Příslušenství	194
5	Použití v souladu se stanoveným účelem	194
6	Technický popis	195
7	Pokyny k elektrickému připojení.	195
8	Montáž kamery	196
9	Čištění a péče o kameru	201
10	Záruka	201
11	Likvidace	201
12	Technické údaje	202

1 Vysvětlení symbolů

**VÝSTRAHA!**

Bezpečnostní pokyny: Následkem nedodržení pokynů mohou být smrtelná nebo vážná zranění.

**UPOZORNĚNÍ!**

Bezpečnostní pokyny: Následkem nedodržení mohou být úrazy.

**POZOR!**

Nedodržení pokynů může mít za následek hmotné škody a narušení funkce výrobku.

**POZNÁMKA**

Doplňující informace týkající se obsluhy výrobku.

2 Bezpečnostní pokyny a pokyny k instalaci

Dodržujte předepsané bezpečnostní pokyny a předpisy vydané výrobcem vozidla a autoservisem!

V následujících případech nepřebírá výrobce žádné záruky za škody:

- Chybná montáž nebo chybné připojení
- Poškození výrobku působením mechanických vlivů a přepětí
- Změna výrobku bez výslovného souhlasu výrobce
- Použití k jiným účelům, než jsou popsány v tomto návodu

Dodržujte následující pokyny:

- Z důvodu nebezpečí zkratu musíte před zahájením prací na elektrickém systému vozidla vždy odpojit záporný pól.

V případě vozidel s přídatnou baterií musíte rovněž odpojit záporný pól.

- Nedostatečně provedené spoje vodičů mohou způsobit zkrat s těmito následky:
 - Vznik požáru kabelů
 - Uvolnění airbagů
 - Poškození elektronických řídicích systémů
 - Porucha funkcí elektrických zařízení (ukazatele změny směru jízdy, brzdová světla, klakson, zapalování, světla)
- Při práci na následujících vodičích použijte pouze izolované kabelové koncovky, zástrčky a ploché konektory:
 - 30 (přímý vstup z baterie plus),
 - 15 (spínaný pól plus, za baterií),
 - 31 (vedení od baterie, kostra),
 - 58 (světlo zpátečky).

Nepoužívejte **žádné** lámací svorkovnice (tzv. „čokoláda“).

- Používejte ke spojování kabelů lisovací kleště (obr. **1** 10, strana 2).
- Přišroubujte kabely v případě přípojek k vodiči 31 (kostra)
 - pomocí kabelového oka a ozubené podložky k vlastnímu kostřicímu šroubu vozidla nebo
 - kabelovým okem a šroubem do plechu k plechu karoserie.

Pamatujte na dobré uzemnění!

Při odpojování záporného pólu baterie dojde v dočasné paměti systémů komfortní elektroniky ke ztrátě uložených dat.

- V závislosti na vybavení vozidla musíte znovu nastavit následující data:
 - Kód rádia
 - Hodiny ve vozidle
 - Spínací hodiny
 - Palubní počítač
 - Poloha sedadla

Pokyny k nastavení naleznete v příslušném návodu k obsluze.

Při montáži dodržujte následující pokyny:

- Upevněte součásti kamery, namontované ve vozidle, tak, aby se nemohly za žádných okolností uvolnit (náhlé brzdění, nehoda) **a způsobit úrazy posádky vozidla.**
- Upevněte součásti systému, které jsou instalovány pod obložení tak, aby se neuvolnily nebo aby nepoškodily jiné součásti a rozvody a aby nemohly narušovat žádné systémy vozidla (řízení, pedály apod.).
- Při vrtání pamatujte na dostatek volného prostoru pro vrták, abyste zabránili vzniku škod (obr. **2**, strana 3).

- Každý otvor odjehlete a ošetříte jej antikoročním prostředkem.
- Vždy dodržujte bezpečnostní pokyny výrobce vozidla.
Některé činnosti (např. na bezpečnostních systémech, jako je AIRBAG apod.) smí provádět pouze školený specializovaný personál.

Při práci na elektrických součástech dodržujte následující pokyny:

- Ke kontrole napětí v elektrických vodičích používejte pouze diodovou zkoušečku (obr. **1** 8, strana 2) nebo voltmetr (obr. **1** 9, strana 2).
Zkoušečky se žárovkami (obr. **1** 12, strana 2) odebírají příliš velké množství proudu, následkem může být poškození elektronického systému vozidla.
- Pamatujte při instalaci elektrických přípojek:
 - kabely nesmíte zalamovat nebo zkrucovat,
 - kabely se nesmějí dít o rohy a hrany,
 - kabely nesmějí být bez ochrany instalovány v průchodkách s ostrými hranami (obr. **3**, strana 3).
- Izolujte všechny spoje a přípojky.
- Zajistěte kabely proti mechanickému namáhání vázacími páskami nebo izolační páskou, např. ke stávajícím vodičům.

Kamera je vodotěsná. Těsnění kamery ale nejsou odolná proti působení vysokotlaké čističky (obr. **4**, strana 3). Při manipulaci s kamerou proto dodržujte následující pokyny:

- Osoby, které z důvodu svých fyzických, senzorických nebo duševních schopností, nebo své nezkušenosti nebo neznalosti, nejsou schopny bezpečně používat výrobek, nesmějí tento výrobek používat bez dohledu odpovědné osoby nebo bez jejího poučení.
- Kameru neotevírejte, došlo by k narušení její těsnosti a funkčnosti (obr. **5**, strana 3).
- Netahejte za kabely, došlo by k narušení těsnosti a funkčnosti kamery (obr. **6**, strana 3).
- Kamera není určena pro provoz pod vodou (obr. **7**, strana 3).

3 Rozsah dodávky

obr. 8, Č. strana 4	Množství	Název	Č. výrobku
1	1	Barevná kamera CAM55 Barevná kamera CAM55W	9600000555 9600000556
2	1	Držák kamery	
3	2	Boční kryty	
4	1	Prodlužovací kabel	9600000208

4 Příslušenství

Dodávané příslušenství (není součástí dodávky):

Název	Č. výrobku
Prodlužovací kabel 5 m	9600000206
Prodlužovací kabel 10 m	9600000207
Prodlužovací kabel 20 m	9600000208
Spirálový vinutý kabel pro provoz s návěsem SPK170	9600000235

5 Použití v souladu se stanoveným účelem

Barevná kamera CMOS CAM55 (výr. č. 9600000555) a CAM55W (výr. č. 9600000556) jsou přednostně určeny k použití ve vozidlech. Jsou používány ve videosystémech, které slouží ke sledování oblasti kolem vozidla ze sedadla řidiče, např. při manévrování nebo parkování.



VÝSTRAHA!

Nebezpečí úrazu osob, způsobených vozidlem.

Videosystémy pro jízdu vzad jsou určeny k podpoře při couvání.

Nezbavují však povinnosti zachovávat během couvání mimořádnou opatrnost.

6 Technický popis

Kamera s integrovaným mikrofonom je instalována do hliníkového krytu a přenáší obraz a zvuk pomocí kabelu do monitoru. Pomocí infračervených LED dochází ke zlepšení nočního vidění.

Kamera přenáší obraz tak, jako byste se dívali do zpětného zrcátka.

Kameru tvoří mj. následující prvky:

Č. obr. 9, strana 4	Název
1	6pólový přívodní kabel
2	Infračervené LED
3	Mikrofon (zadní strana)

7 Pokyny k elektrickému připojení

7.1 Instalace kabelů



POZOR! Nebezpečí poškození!

- Při vrtání otvorů nejprve zkontrolujte, zda je k dispozici dostatek volného prostoru pro vrták.
- Nesprávná instalace kabelů a kabelových spojů vede vždy k poruchám nebo poškození součástí. Správná instalace kabelů nebo kabelových spojů je základním předpokladem trvalé a bezchybné funkce instalovaných součástí.
- Kabely nesmí být po delší dobu v kontaktu s rozpouštědly, jako je např. benzín, rozpouštědla mohou kabely poškodit.

Dodržujte proto následující pokyny:

- Používejte k instalaci přívodních kabelů podle možnosti originální průchodky nebo jiné možnosti vedení, např. okraje obložení, ventilační mřížky nebo záslepky. Pokud nejsou dostupné žádné průchodky, musíte pro příslušné kabely vyvrtat otvory. Nejdříve se podívejte, zda je na druhé straně případného otvoru dostatek volného místa.

- Podle možností pokládejte kabely vždy uvnitř vozidla, protože tam jsou lépe chráněny než zvenčí vozidla.
Pokud kabely i přesto instalujete zvenčí vozidla, dbejte na bezpečné upevnění (použitím vázacích pásek na kabely, izolační pásky apod.).
- K zabránění poškození kabelů pokládejte kabely vždy v dostatečné vzdálenosti od horkých a pohyblivých součástí vozidla (výfukové potrubí, hnací hřídele, dynamo, ventilátory, topení apod.). Z důvodu mechanické ochrany použijte chráničky nebo jiné podobné ochranné materiály.
- Z důvodu ochrany proti vniknutí vody přišroubujte konektorové spoje spojovacích kabelů (obr. **17**, strana 6).
- Pamatujte při instalaci kabelů, že
 - kabely nesmíte ostře zalamovat nebo zkrucovat,
 - kabely se nesmějí dít o rohy a hrany,
 - kabely nesmějí být bez ochrany instalovány v průchodkách s ostrými hranami (obr. **3**, strana 3).
- Upevněte kabely ve vozidle bezpečně, abyste zabránili zachycení za kabely (nebezpečí pádu). Můžete to provést použitím vázacích pásek na kabely, izolační pásky nebo lepidla.
- Každý otvor na vnějším plášti vozidla vhodným způsobem chraňte před proniknutím vody, např. použitím kabelu s těsnicí hmotou a zastříkáním kabelu a průchodky těsnicí hmotou.



POZNÁMKA

S utěšňováním otvorů začněte až poté, co dokončíte všechny seřizovací práce na kameře a budou jasné potřebné délky přívodních kabelů.

8 Montáž kamery

8.1 Potřebné nástroje

K instalaci a montáži potřebujete následující nástroje:

- Sada vrtáků (obr. **1** 1, strana 2)
- Vrtačka (obr. **1** 2, strana 2)
- Šroubovák (obr. **1** 3, strana 2)
- Sada očkových nebo otevřených klíčů (obr. **1** 4, strana 2)
- Měřidlo (obr. **1** 5, strana 2)
- Kladivo (obr. **1** 6, strana 2)
- Důlčík (obr. **1** 7, strana 2)

K **elektrickému připojení** a k provedení jeho kontroly budete potřebovat následující pomůcky:

- Diodová zkoušečka (obr. **1** 8, strana 2) nebo voltmetr (obr. **1** 9, strana 2)
- Izolační páska (obr. **1** 11, strana 2)
- Příp. kabelové průchodky

K upevnění kabelů budete potřebovat případně ještě další vázací pásky na kabely.

8.2 Montáž kamery



UPOZORNĚNÍ!

Vyberte umístění kamery a upevněte ji natolik bezpečně, aby za žádných okolností nemohly být zraněny osoby v blízkosti vozidla např. tím, že větve strhnou kameru ze střechy vozidla.



POZNÁMKA

Pokud instalací kamery dojde ke změně výšky nebo délky vozidla, která je uvedena v dokumentaci vozidla, musí být znovu provedena kontrola příslušnými institucemi (TÜV, DEKRA apod.). Provedení kontroly nechtejete zanést do dokumentace vozidla příslušným dopravním inspektorátem.

Při montáži dodržujte následující pokyny:

- Kameru umístíte z důvodu získání spolehlivého úhlu záběru do výšky minimálně dva metry.
Při montáži pamatujte na dostatečnou stabilitu pracoviště.
- Pamatujte, že místo instalace kamery musí nabízet dostatečnou pevnost (za kameru se mohou zachytit např. nízké větve).
- Namontujte držák kamery vodorovně a uprostřed na zádi vozidla (obr. **10**, strana 5).
- Nejbezpečnějším způsobem upevnění jsou šrouby, které procházejí nástavbou. Dodržujte přitom následující pokyny:
 - Za vybraným místem pro montáž musí být dostatek volného prostoru k provedení montáže.
 - Každý otvor musíte chránit vhodným způsobem proti vniknutí vody (např. použitím šroubů s těsnicí hmotou a ostříkáním vnějších upevňovacích dílů těsnicí hmotou).
 - Nástavba musí v místě instalace nabízet dostatečnou pevnost, aby bylo možné držák kamery dostatečně pevně utáhnout.

- Předem zkontrolujte, zda je dostatek volného místa pro vrták (obr. 2, strana 3).
- Pokud si nejste jisti místem instalace, které jste vybrali, informujte se u výrobce nástavby nebo u jeho zastoupení.

**POZNÁMKA**

Z důvodu minimalizace koroze šroubů můžete závity namazat.

Při montáži postupujte takto:

- Podržte držák kamery ve vybraném místě instalace a označte minimálně dva různé vrtané otvory (obr. 11, strana 5).
- Důlčíkem a kladivem proveďte v označených bodech základní otvor tak, abyste zabránili sklouznutí vrtáku při vrtání.

Přišroubování kamery šrouby do plechu (obr. 12, strana 5)**POZOR! Nebezpečí poškození!**

Upevnění pomocí šroubů do plechu smí být provedeno pouze na ocelovém plechu o minimální tloušťce 1,5 mm.

- Vyvrtejte ve vyznačených bodech vždy jeden otvor o velikosti \varnothing 2 mm.
- Všechny vyvrтанé otvory odjehlete a opatřete je antikorozi ochranou.
- Přišroubujte držák kamery pomocí šroubů do plechu 4 x 10 mm.

Přípevnění kamery pomocí šroubů vedených průchozími otvory v nástavbě (obr. 13, strana 5)**POZOR! Nebezpečí poškození!**

Dávejte pozor, aby matice při utahování neprorazily nástavbu. Použijte případně větší podložky nebo plechové destičky.

- Vyvrtejte ve vyznačených bodech vždy jeden otvor o velikosti \varnothing 6,5 mm.
- Všechny vyvrтанé otvory odjehlete a opatřete je antikorozi ochranou.
- Přišroubujte držák kamery pomocí šroubů M6 x 20 mm.
V závislosti na tloušťce nástavby budete potřebovat delší šrouby.

Provedení otvoru průchodky pro přívodní kabel kamery (obr. 14, strana 5)



POZNÁMKA

Používejte k instalaci přívodních kabelů podle možnosti stávající průchodky, např. ventilační mřížky. Pokud nejsou dostupné žádné průchodky, musíte vyvrtat otvor Ø 16 mm.



POZOR! Nebezpečí poškození!

Předem zkontrolujte, zda je dostatek volného místa pro vrták.

- V blízkosti kamery vyvrtejte otvor Ø 16 mm.
- Všechny otvory vyvrtané do plechu odjehlete a opatřete je antikorozní ochranou.
- Opatřete všechny průchodky s ostrými hranami chráničkou.

Montáž kamery



POZOR! Nebezpečí poškození!

Používejte k montáži kamery pouze dodané šrouby. Delší šrouby by kameru poškodily.

- Nasaďte kameru do držáku kamery.
- Upevněte kameru **volně** dvěma šrouby M4 x 6 mm v bočních otvorech (obr. 15, strana 5).
- Nasměrujte kameru provizorně tak, aby objektiv svíral úhel cca 50° se svislou osou vozidla (obr. 16, strana 6).

Elektrické připojení kamery



POZNÁMKA

- Instalujte kabely kamery tak, aby při případné nutné demontáži byl možný snadný přístup ke konektorovým spojům mezi kamerou a prodlužovacím kabelem. Demontáž je tím výrazně zjednodušena.
- Z důvodu minimalizace koroze naneste na zástrčku trochu maziva, např. tuk na kontakty.
- Podle potřeby jsou dostupné další prodlužovací kabely (viz kap. „Příslušenství“ na straně 194).

- Ved'te kabel kamery dovnitř vozidla.
- Zapojte zástrčku kabelu kamery do zásuvky prodlužovacího kabelu.
- Z důvodu ochrany proti vniknutí vody přišroubujte konektorový spoj (obr. **17**, strana 6).

Nasměrování kamery



POZNÁMKA

K nasměrování kamery musíte případně namontovat monitor a připojit jej (viz principiální schéma zapojení obr. **18**, strana 6).

- Nasměrujte kameru podle obrazu na monitoru:
Na monitoru musí být vidět na spodním okraji zád' nebo nárazník vozidla. Ve střední části monitoru musí být střed nárazníku (obr. **19**, strana 6).
- Zkontrolujte funkci kamery po připojení k monitoru.

Upevnění kamery

- Utáhněte oba upevňovací šrouby v bočních otvorech držáku kamery.
- Zaklapněte boční kryty do příslušných bočních otvorů (obr. **20**, strana 7) a upevněte je otočením.
- Boční kryty odstraníte zavedením dvou tupých plochých předmětů do příslušných otvorů na krytu a pootočením.

9 Čištění a péče o kameru



POZOR! Nebezpečí poškození!

Nepoužívejte k čištění žádné tvrdé nebo ostré prostředky, může dojít k poškození přístroje.

- Příležitostně vyčistěte kameru mírně zvlhčeným měkkým hadříkem.

10 Záruka

Na výrobek je poskytována záruka v souladu s platnými zákony. Zjistíte-li, že je výrobek vadný, zašlete jej do pobočky výrobce ve vaší zemi (adresy viz zadní strana tohoto návodu) nebo specializovanému prodejci.

K vyřízení opravy nebo záruky nezapomeňte odeslat následující:

- Vadné součásti,
- Kopii účtenky s datem zakoupení,
- Uvedení důvodu reklamace nebo popis vady.

11 Likvidace

- Obalový materiál likvidujte v odpadu určeném k recyklaci.



Jakmile výrobek zcela vyřadíte z provozu, informujte se v příslušných recyklačních centrech nebo u specializovaného prodejce o příslušných předpisech o likvidaci odpadu.

12 Technické údaje

	PerfectView CAM55	PerfectView CAM55W
Č. výr.:	9600000555	9600000556
Obrazový senzor:	1/4" CMOS	
Počet obrazových bodů:	640 (H) x 480 (V)	
Standard videa:	PAL, 1 Vpp	
Citlivost:	< 1 luxů / 0 luxů s infračervenými LED	
Úhel záběru:	cca 120° diagonálně cca 100° horizontálně cca 70° vertikálně	
Provozní napětí:	10 – 32 V $\overline{=}$	
Spotřeba:	max. 4,1 W	
Provozní teplota:	-30 °C až +70 °C	
Krytí:	IP69K	
Odolnost proti vibracím:	10 g	
Rozměry Š x V x H (s držákem):	80 x 50 x 62 mm	
Hmotnost:	cca 165 g	

Certifikace

Přístroj je vybaven certifikátem E13.



Beépítés és üzembe vétel előtt gondosan olvassa el és őrizze meg ezt a használati útmutatót. Ha a terméket továbbadja, mellékelje hozzá a használati útmutatót is.

Tartalomjegyzék

1	Szimbólumok magyarázata	204
2	Biztonsági és beszerelési tudnivalók	204
3	A csomag tartalma	207
4	Tartozékok	207
5	Rendeltetésszerű használat	207
6	Műszaki leírás	208
7	Megjegyzések az elektromos csatlakozáshoz	208
8	A kamera felszerelése	210
9	A kamera karbantartása és tisztítása	214
10	Szavatosság	214
11	Ártalmatlanítás	215
12	Műszaki adatok	215

1 Szimbólumok magyarázata

**FIGYELMEZTETÉS!**

Biztonsági tudnivaló: Az utasítás figyelmen kívül hagyása halált vagy súlyos sérülést okozhat.

**VIGYÁZAT!**

Biztonsági tudnivaló: Az utasítás figyelmen kívül hagyása sérüléseket okozhat.

**FIGYELEM!**

Ha nem veszi figyelembe az információt, az anyagkárosodást eredményezhet, és káros kihatással lehet a termék működésére.

**MEGJEGYZÉS**

Kiegészítő információk a termék kezelésével kapcsolatosan.

2 Biztonsági és beszerelési tudnivalók

Vegye figyelembe a járműgyártó és a gépjárműszakma által előírt biztonsági megjegyzéseket és előírásokat!

A gyártó a bekövetkező károkért a következő esetekben nem vállal felelősséget:

- szerelési vagy csatlakozási hiba
- a termék mechanikai behatások és túlfeszültségek miatti sérülése
- a termék kifejezett gyártói engedély nélküli módosítása
- az útmutatóban leírt céloktól eltérő felhasználás

Vegye figyelembe az alábbi megjegyzéseket:

- Rövidzárlat veszélye miatt a járműelektronikán végzendő munkák előtt mindig csatlakoztassa le a mínusz pólust.
Kiegészítő akkumulátorokkal rendelkező járműveknél arról is csatlakoztassa le a mínusz pólust.

- A nem megfelelő vezetékcsatlakozások következményeképpen rövidzárlat miatt
 - kábeltűz keletkezhet,
 - a légzsák kiold,
 - az elektronikus vezérlőberendezések megsérülnek,
 - az elektromos funkciók meghibásodnak (index, féklámpa, kürt, gyújtás, világítás).
- A következő vezetékeken végzendő munkáknál csak szigetelt kábelsarukat, csatlakozódugókat és lapos dugóhüvelyeket használjon:
 - 30 (közvetlen bemenet az akkumulátor pozitív pólusától)
 - 15 (kapcsolt pozitív vezeték, akkumulátor után)
 - 31 (visszamenő vezeték akkumulátortól, föld),
 - 58 (tolatólámpa).

Ne használjon sorkapcsokat ('csoki').

- A kábelek csatlakoztatásához préselőfogót (1. ábra 10, 2. oldal) használjon.
- A csatlakozásoknál a kábelt csavarozza a 31-es vezetékhez (föld)
 - kábelsaruvál és fogazott alátéttel egy a járművön lévő földelőcsavarhoz vagy
 - kábelsaruvál és lemezcsavarral a karosszérialemezhez.

Ügyeljen a jó földelésérintkezésre!

Az akkumulátor mínusz pólusának lecsatlakoztatása esetén a kényelmi elektronikai berendezések felejtő memóriájából az összes tárolt adat törlődik.

- A jármű felszereltségének függvényében a következő adatokat kell újból beállítani:
 - Rádiókód
 - Fedélzeti óra
 - Kapcsolóóra
 - Fedélzeti számítógép
 - Ülész helyzet

A beállításokra vonatkozó megjegyzések a vonatkozó üzemeltetési útmutatóban találhatóak.

A szerelés során vegye figyelembe a következő megjegyzéseket:

- A kamera járműben felszerelt alkatrészeit úgy rögzítse, hogy azok semmilyen körülmények között (éles fékezés, közlekedési baleset) ne szabadulhassanak el és ne okozhassák **a jármű utasainak sérülését**.
- A burkolat alatt takarásban lévő alkatrészeket úgy rögzítse, hogy ne szabadulhassanak el és ne sérthessenek meg más alkatrészeket és vezetékeket, illetve ne akadályozhassák a jármű működését (kormányzás, pedálok stb.).

- Fúrásnál a sérülések elkerülése érdekében ügyeljen a kielégítő szabad térre a fúró kilépési helyén (2. ábra, 3. oldal).
- Sorjátlanítsa a furatot és kezelje le rozsdagátló szerrel.
- Mindig vegye figyelembe a járműgyártó biztonsági megjegyzéseit. Bizonyos (például gátlórendszereken - légzsákon stb. - végzendő) munkákat csak képesített szakszemélyzet végezhet.

Elektromos alkatrészekon végzendő munkáknál vegye figyelembe a következő megjegyzéseket:

- Elektromos vezetékek feszültségének ellenőrzéséhez csak diódás ellenőrző lámpát (1. ábra 8, 2. oldal) vagy feszültségmérőt (1. ábra 9, 2. oldal) használjon. Világítótesttel rendelkező ellenőrző lámpák (1. ábra 12, 2. oldal) túl nagy áramot vesznek fel, ami a jármű-elektronikát károsíthatja.
- Elektromos csatlakozások kialakításánál ügyeljen arra, hogy azok
 - ne legyenek megtörve vagy megcsavarodva,
 - ne súrolódjanak peremeken,
 - ne legyenek védelem nélkül éles peremű átvetéteseken keresztülvezetve (3. ábra, 3. oldal).
- Szigetelje le az összes összekötést és csatlakozást.
- Biztosítsa a kábeleket mechanikus igénybevétel ellen kábelkötözővel vagy szigetelőszalaggal, például a meglévő vezetéseken.

A kamera vízálló. A kamera tömítései azonban magas nyomású tisztítóval szemben hatástalanok (4. ábra, 3. oldal). Ezért vegye figyelembe a kamera kezelésével kapcsolatos következő megjegyzéseket:

- Azok a személyek (beleértve a gyermekeket is), akik fizikai, érzékszervi vagy szellemi képességeik, illetve tapasztalatlanságuk vagy tudatlanságuk miatt a terméket nem tudják biztonságosan használni, ezt a terméket nem használhatják felelős személy felügyelete vagy utasítása nélkül.
- Ne nyissa ki a kamerát, mivel azzal csökkenti tömítettségét és működőképességét (5. ábra, 3. oldal).
- Ne húzza erővel a kábelt, mivel az csökkenti tömítettségét és működőképességét (6. ábra, 3. oldal).
- A kamera nem alkalmas víz alatti üzemeltetésre (7. ábra, 3. oldal).

3 A csomag tartalma

Szám 8. ábra, 4. oldal	Mennyiség	Megnevezés	Cikkszám
1	1	CAM55 színes kamera CAM55W színes kamera	9600000555 9600000556
2	1	Kameratartó	
3	2	Oldalsó burkolatok	
4	1	Hosszabbítókábel	9600000208

4 Tartozékok

Tartozékként kapható (nincs mellékelve):

Megnevezés	Cikkszám
Hosszabbítókábel, 5 m-es	9600000206
Hosszabbítókábel, 10 m-es	9600000207
Hosszabbítókábel, 20 m-es	9600000208
SPK170 spirálkábel pótkocsiüzemhez	9600000235

5 Rendeltetészerű használat

A CMOS CAM55 (cikkszám: 9600000555) és CAM55W (cikkszám: 9600000556) színes kamerák főleg járművekben való felhasználásra készültek. Olyan kamerarendszerekhez alkalmazhatók, amelyek a jármű körüli terület vezetőüléssből történő megfigyelésére szolgálnak, például tolatás vagy parkolás során.



FIGYELMEZTETÉS!

Személyi sérülések jármű általi veszélye.
A tolatókamera-rendszerek a tolatásnál nyújtanak támogatást, ugyanakkor **nem adnak felmentést a tolatásnál tanúsítandó elővigyázatossági kötelezettség alól.**

6 Műszaki leírás

Az integrált mikrofonnal felszerelt kamera alumíniumházban van elhelyezve és a képet és hangot kábelen keresztül juttatja el egy monitorhoz. Az éjszakai látás javításáról infravörös LED-ek gondoskodnak.

A kamera a képet úgy továbbítja, mintha a kép a visszapillantó tükörben jelenne meg.

A kamera többek között a következő elemekből áll:

Szám	Megnevezés
9. ábra, 4. oldal	
1	6 pólusú csatlakozókábel
2	Infravörös LED-ek
3	Mikrofon

7 Megjegyzések az elektromos csatlakozáshoz

7.1 Kábelek elhelyezése



FIGYELEM! Sérülésveszély!

- Lyukak fúrása előtt ellenőrizze, hogy elegendő szabad hely van-e a fúrónak az átjutáshoz.
- A szakszerűtlen kábelehelyezések és kábel-összeköttetések ismételt hibás működést eredményeznek vagy alkatrészek sérülését okozzák. Az utólagosan felszerelt komponensek tartós és hibátlan működésének feltétele a szakszerűen kialakított kábelehelyezés és kábel-összeköttetés.
- A kábeleknek nem szabad hosszabb ideig oldószerekkel (például benzinnel) érintkezniük, mivel az oldószerek a kábeleket károsíthatják.

Ezért vegye figyelembe a következő megjegyzéseket:

- A csatlakozókábelek átvezetésénél lehetőség szerint eredeti átvezetéseket vagy más átvezetési lehetőségeket használjon (például burkolóeleket, szellőzőrácsokat vagy vakkapcsolókat). Ha nincsenek átvezetések, akkor a vonatkozó kábelekhez megfelelő lyukakat kell fúrnia. Először annak nézzen utána, hogy a fúró átjutásához elegendő szabad tér áll-e rendelkezésre.
- A kábeleket lehetőség szerint mindig a jármű belsejében vezesse, mivel ott azok jobban védve vannak mint a járművön kívül. Ha a kábeleket ennek ellenére a járművön kívül helyezi el, akkor ügyeljen azok biztos rögzítésére (kiegészítő kábelkötözőkkel, szigetelőszalaggal stb.).
- A kábel sérüléseit megelőzendő a kábelek elhelyezésénél mindig tartson kielégítő távolságot a forró és mozgó jármű-alkatrészekről (kipufogócsövek, hajtótengelyek, áramgenerátor, ventilátor, fűtés stb.). A mechanikus védelemhez használjon bordácsövet vagy hasonló védőanyagot.
- A csatlakozókábelek csatlakozódugóit a víz behatolása elleni védelem érdekében csavarozza össze (17. ábra, 6. oldal).
- A kábelek elhelyezésekor ügyeljen arra, hogy azok
 - ne legyenek túlságosan megtörve vagy megcsavarodva,
 - ne súrolódjanak peremeken,
 - ne legyenek védelem nélkül éles peremű átvezetéseken keresztülvezetve (3. ábra, 3. oldal).
- A kábeleket a járműben a beleakadás elkerülése érdekében (botlásveszély miatt) biztonságosan rögzítse. Ez kábelkötözők vagy szigetelőszalag alkalmazásával, illetve ragasztóanyaggal való odaragasztással történhet.
- Védje a külső burkolat minden áttörését vízbehatolás elleni megfelelő intézkedésekkel (például a kábel tömítőanyaggal történő alkalmazásával és a kábel és az átvezetőkarika tömítőanyaggal való lepermetezésével).



MEGJEGYZÉS

Először az áttörések szigetelésével kezdje, miután a kamera valamennyi beállítási műveletét elvégezte és a csatlakozókábelek szükséges hosszát meghatározta.

8 A kamera felszerelése

8.1 Szükséges szerszám

A **beépítéshez és szereléshez** a következő szerszámok szükségesek:

- Fúrókészlet (1. ábra 1, 2. oldal)
- Fúrógép (1. ábra 2, 2. oldal)
- Csavarhúzó (1. ábra 3, 2. oldal)
- Villás- vagy körkulcskészlet (1. ábra 4, 2. oldal)
- Mérőszalag (1. ábra 5, 2. oldal)
- Kalapács (1. ábra 6, 2. oldal)
- Pontozó (1. ábra 7, 2. oldal)

Az **elektromos csatlakoztatáshoz** és teszteléséhez a következő segédeszközök szükségesek:

- Diódás ellenőrző lámpa (1. ábra 8, 2. oldal) vagy feszültségmérő (1. ábra 9, 2. oldal)
- Szigetelőszalag (1. ábra 11, 2. oldal)
- Adott esetben kábelátvezető hüvelyek

A **kábelek rögzítéséhez** adott esetben még további kábelkötözők lehetnek szükségesek.

8.2 A kamera felszerelése



VIGYÁZAT!

A kamera helyét úgy válassza meg és a kamerát úgy rögzítse biztonságosan, hogy a közelben álló személyek semmilyen körülmények között ne sérülhessenek meg (például azért, mert a jármű tetejét súroló ágak a kamerát lesodorhatják).



MEGJEGYZÉS

Ha a jármű - forgalmi engedélyében feltüntetett - magassága vagy hossza a kamera felszerelése miatt változik, akkor az illetékes hatóság általi új engedélyezési eljárást kell lefolytatni.

Az új engedélyezést vezesse át az illetékes hatósággal a jármű forgalmi engedélyébe.

A szerelés során vegye figyelembe a következő megjegyzéseket:

- A kamerát az ésszerű látószög elérése érdekében legalább két méter magasságban helyezze el.
A felszerelés során ügyeljen a megfelelően stabil munkahelyre.
- Ügyeljen arra, hogy a kamera felszerelési helye kellő szilárdságú legyen (például a jármű tetejét súroló ágak megakadhatnak a kamerában).
- A kameratartót vízszintesen és a jármű hátsó részén, középre szerelje fel (**10.** ábra, 5. oldal).
- A rögzítés legbiztosabban a felépítményen keresztül menő csavarokkal oldható meg. Ennek során vegye figyelembe a következő megjegyzéseket:
 - A kiválasztott szerelési hely mögött kellő szabad térnek kell lennie a szereléshez.
 - Minden áttörést megfelelő intézkedésekkel kell vízbehatalás ellen védeni (például a csavarok tömítőanyaggal történő behelyezésével és/vagy a külső rögzítő alkatrészek tömítőanyaggal történő lepermetezésével).
 - A rögzítési helyek felépítményének kellő szilárdsággal kell rendelkeznie, hogy a kameratartót kellő feszességgel lehessen meghúzni.
- Először azt ellenőrizze, hogy a fúró átjutásához elegendő szabad hely áll-e rendelkezésre (**2.** ábra, 3. oldal).
- Ha a kiválasztott szerelési hely alkalmasságára vonatkozóan nincsenek kellő információi, forduljon a felépítmény gyártójához vagy annak képviselőjéhez.



MEGJEGYZÉS

A csavarok korróziójának minimalizálása érdekében a meneteket zsírozza be.

A szerelés során a következő módon járjon el:

- Tartsa oda a kameratartót a kiválasztott szerelési helyhez és jelöljön be legalább két különböző fúrási pontot (**11.** ábra, 5. oldal).
- Az előzetesen megjelölt pontokat kalapáccsal és pontozóval készítse elő a fúró elcsúszásának megakadályozásához.

Ha a kamerát lemezcsavarokkal szeretné felcsavarozni (12. ábra, 5. oldal)**FIGYELEM! Sérülésveszély!**

A lemezcsavarokkal történő rögzítés csak legalább 1,5 mm-es lemezvastagságú acéllemezekben történhet.

- ▶ Az előzőleg megjelölt pontokon készítsen egy-egy Ø 3 mm-es furatot.
- ▶ Sorjátlanítsa valamennyi furatlyukat és lássa el őket rozsdavédelemmel.
- ▶ Csavarozza fel a kameratartót 4 x 10 mm-es lemezcsavarokkal.

Ha a kamerát a felépítményen keresztül mentes csavarokkal szeretné rögzíteni (13. ábra, 5. oldal)**FIGYELEM! Sérülésveszély!**

Ügyeljen arra, hogy az anyák a meghúzásnál nehogya áthatolhassanak a felépítményen.

Adott esetben használjon nagyobb alátéteket vagy bádoglemezeket.

- ▶ Az előzőleg megjelölt pontokon készítsen egy-egy Ø 5 mm-es furatot.
- ▶ Sorjátlanítsa valamennyi furatlyukat és lássa el őket rozsdavédelemmel.
- ▶ Csavarozza fel a kameratartót az M6 x 20 mm-es menetes csavarokkal.
A felépítmény vastagságától függően hosszabb menetes csavarok lehetnek szükségesek.

Áttörés készítése a kamera csatlakozókábeléhez (14. ábra, 5. oldal)**MEGJEGYZÉS**

A csatlakozókábelek átvezetésénél lehetőség szerint meglévő átvezetési lehetőségeket használjon (például szellőzőrácsot).

Ha nincsenek átvezetések, akkor Ø 16 mm-es lyukat kell fúrnia.

**FIGYELEM! Sérülésveszély!**

Először azt ellenőrizze, hogy a fúró átjutásához elegendő szabad tér áll-e rendelkezésre.

- ▶ Fúrjon a kamera közelében egy Ø 16 mm-es lyukat.
- ▶ Sorjátlanítsa a lemezben készített valamennyi furatlyukat és lássa el őket rozsdavédelemmel.
- ▶ Lásza el az összes éles peremű átvezetést átvezetőkarikával.

A kamera felszerelése



FIGYELEM! Sérülésveszély!

A kamera felszereléséhez csak a mellékelt csavarokat használja. Hosszabb csavaroktól a kamera megsérülhet.

- Tolja be a kamerát a kameratartóba.
- Rögzítse **lazán** a kamerát a két M4 x 6 mm-es csavarral az oldalsó furatokban (**15.** ábra, 5. oldal).
- Igazítsa be a kamerát előzetesen úgy, hogy az objektív kb. 50°-os szögben álljon a jármű tengelyéhez képest (**16.** ábra, 6. oldal).

A kamera elektromos csatlakoztatása



MEGJEGYZÉS

- A kamera kábelét úgy helyezze el, hogy a kamera esetleges szükségessé váló kiszérése esetén könnyedén hozzáférhessen a kamera és a hosszabbítókábel közötti dugócsatlakozóhoz. Ez a leszerelést jelentősen leegyszerűsíti.
- A csatlakozódugó korróziójának minimalizálása érdekében tegyen valamennyi zsírt (például póluszsírt) a csatlakozódugók egyikébe.
- Szükség esetén további hosszabbítókábelek állnak rendelkezésre (lásd: „Tartozékok” fejelet, 207. oldal).

- Vezesse a kamerakábel a jármű belsejébe.
- Dugja be a kamerakábel másik csatlakozódugóját a hosszabbítókábel csatlakozóhüvelyébe.
- A dugócsatlakozókat a víz behatolása elleni védelem érdekében csavarozza össze (**17.** ábra, 6. oldal).

A kamera beigazítása



MEGJEGYZÉS

A kamera beigazításához adott esetben még egy monitort is fel kell szerelnie és elektromosan csatlakoztatnia (lásd az elvi csatlakozási rajzot: **18.** ábra, 6. oldal).

- ▶ Igazítsa be a kamerát a monitor képe alapján:
A monitorkép alsó képszelén a jármű hátuljának, illetve lökhárítójának kell látszania. A lökhárító közepének is a monitorkép közepén kell lennie (19. ábra, 6. oldal).
- ▶ Ellenőrizze a kamera funkcióját, miután azt egy monitorhoz csatlakoztatta.

A kamera rögzítése

- ▶ Húzza meg a két rögzítőcsavart a kameratartó oldalsó furataiban.
- ▶ Pattintsa be az oldalsó burkolatokat az erre szolgáló oldalsó nyílásokba (20. ábra, 7. oldal), majd rögzítse őket egyet fordítva rajtuk.
- ▶ Az oldalsó burkolatok eltávolításához dugjon be két tompa, lapos tárgyat a rögzítésre szolgáló nyílásokba, majd fordítsa el a burkolatokat.

9 A kamera karbantartása és tisztítása



FIGYELEM! Sérülésveszély!

Ne használjon éles vagy kemény eszközöket a tisztításhoz, mivel azok a készülék sérülését okozhatják.

- ▶ Alkalmanként tisztítsa meg a kamerát puha, nedves ruhával.

10 Szavatosság

A termékre a törvény szerinti szavatossági időszak érvényes. A termék meghibásodása esetén forduljon a gyártói lerakathoz (a címeket lásd jelen útmutató hátoldalán), illetve az illetékes szakkereskedőhöz.

A javításhoz, illetve a szavatossági adminisztrációhoz a következő dokumentumokat kell beküldenie:

- hibás részegységek,
- a számla vásárlási dátummal rendelkező másolatát,
- a reklamáció okát vagy a hibát tartalmazó leírást.

11 Ártalmatlanítás

- A csomagolóanyagot lehetőleg a megfelelő újrahasznosítható hulladék közé tegye.



Ha a terméket véglegesen kivonja a forgalomból, kérjük, tájékozódjon a legközelebbi hulladékártalmatlanító központnál vagy a szakkereskedőjénél az idevonatkozó ártalmatlanítási előírásokkal kapcsolatban.

12 Műszaki adatok

	PerfectView CAM55	PerfectView CAM55W
Cikkszám:	9600000555	9600000556
Képzékelő:	1/4" CMOS	
Képpontok:	640 (vízszintes) x 480 (függőleges)	
Videoszabvány:	PAL, 1 Vpp	
Érzékenység:	< 1 Lux / 0 Lux infravörös LED-ekkel	
Látószög:	kb. 120° átlósan kb. 100° vízszintesen kb. 70° függőlegesen	
Üzemi feszültség:	10 – 32 V $\overline{=}$	
Fogyasztás:	max. 4,1 W	
Üzemi hőmérséklet:	-30 °C és +70 °C között	
Védettség:	IP69K	
Rezgésállóság:	10 g	
Méret (szélesség x magasság x mélység, tartóval):	80 x 50 x 62 mm	
Súly:	kb. 165 g	

Engedélyek

A készülék E13-as engedéllyel rendelkezik.



Mobile living made easy.



dometic.com

**YOUR LOCAL
DEALER**

dometic.com/dealer

**YOUR LOCAL
SUPPORT**

dometic.com/contact

**YOUR LOCAL
SALES OFFICE**

dometic.com/sales-offices

A complete list of Dometic companies, which comprise the Dometic Group, can be found in the public filings of:
DOMETIC GROUP AB Hemvärnsgatan 15 SE-17154 Solna Sweden