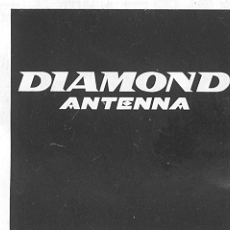


AM385



Operation Instructions

To use the antenna properly, read these instructions thoroughly before using it. Keep this manual carefully at hand for later use.

● Description

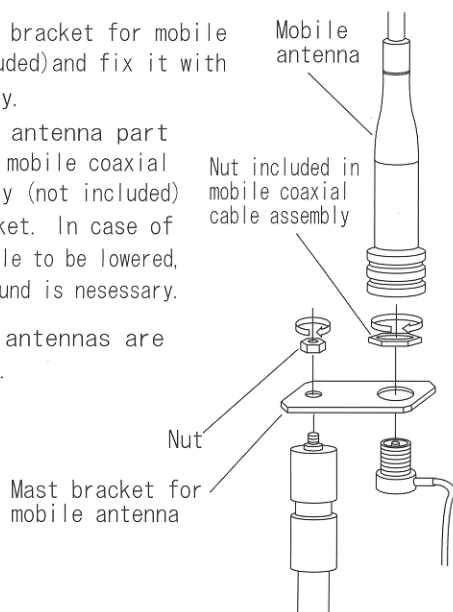
- ① The length of this product is able to be adjusted from 1.45m to 3.85m optionally.
- ② To use mast bracket for mobile antenna (included) with mobile coaxial cable assembly (not included) is easy to install mobile antenna.
- ③ 1/4 inch screw that is able to be attached digital cameras or video cameras on is employed.

■ To install mobile antenna

Install mast bracket for mobile antenna (included) and fix it with wrench firmly.

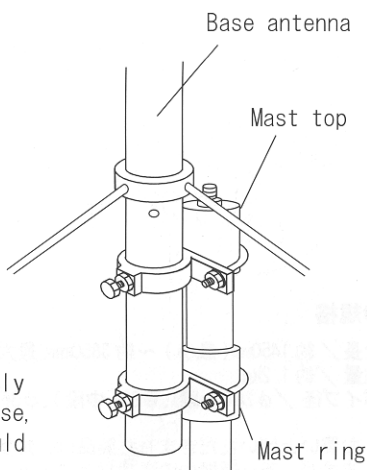
Install the antenna part connector of mobile coaxial cable assembly (not included) in mast bracket. In case of SWR is not able to be lowered, the earth-ground is necessary.

Radialless antennas are recommended.



■ To install base antenna

Install mast bracket assembly (included in base antenna) in mast top. In case of the antenna that is needed to use two mast bracket assemblies, install mast brackets in mast top and mast ring.



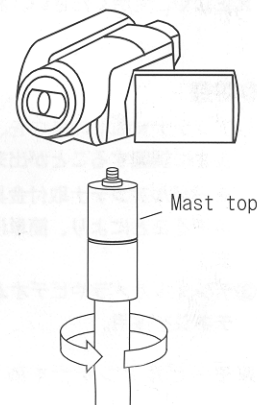
※ Warning

Install antenna in only specified place, otherwise, the sharp mast pipe would be changed.

Since this product is for portable antenna mast, don't use it when it blows strongly and don't install it where is no space to set stay ropes.

■ Install digital camera or video camera

Install digital camera or video camera in the screw of mast top. The screw size is standardized all over the world, however, the depth of screw varies according to each manufacture. Make sure if digital camera or video camera is fixed firmly. If not, don't install it on this product. It may be dropped or damaged.



We cannot take the responsibility for damage due to dropping.

■ How to install

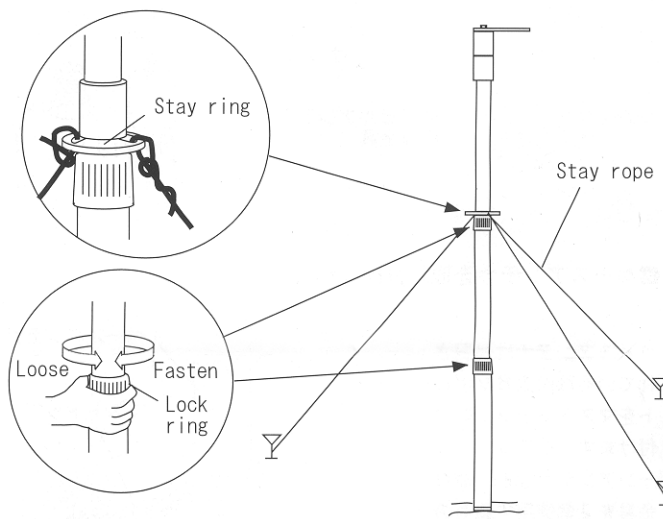
Make the mast setting antenna vertically, fix the lowest part. Loose the lock ring and extend the mast.

After getting desired length, fasten the lock ring by hand.

※ Fasten the lock ring by **HAND**. Don't use any tools.

Cut the stay rope (included) into three equal part, tie those rope to stay ring firmly.

In case of using tripod stand or tire base, make sure to use stay rope.



● Specification

Length / approx. 1450mm (minimum) to approx. 3850mm (maximum)
 Weight / approx. 1.2kgs
 Pipe diameter / 28mm (upper), 32mm (middle), 36mm (lower)

■ Though the product being purchased is manufactured under strict quality control, if damage is caused by transporting, ask your dealer promptly.

■ Design and specification of these products will be changed for future improvement without advance notice.