

2JD0710-C728N

TETRA/UHF Connector Mount Antenna

Key Features

TETRA/UHF Antenna
- 380-470 MHz
Connector Mount
Ground Plane Independent
Dipole Antenna
Narrowband Antenna
Tunable to Desired Center Frequency
Dimensions \varnothing 13.6 × 138 mm



1. Antenna and electrical specifications

Parameters	TETRA/UHF Antenna
Standards	TETRA/UHF
Band (MHz)	390, 420, 460
Frequency (MHz)	380-470
Return Loss (dB)	~-4.6
VSWR	~6.0:1
Efficiency (%)	~38
Peak Gain (dBi)	~-1.2
Average Gain (dB)	~-4.4
Impedance (Ohm)	50
Polarisation	Linear
Radiation Pattern	Omni-Directional
Max. Input Power (W)	25
Connector Type	SMA-Male Standard

Antenna Measurement Conditions:

Free Space

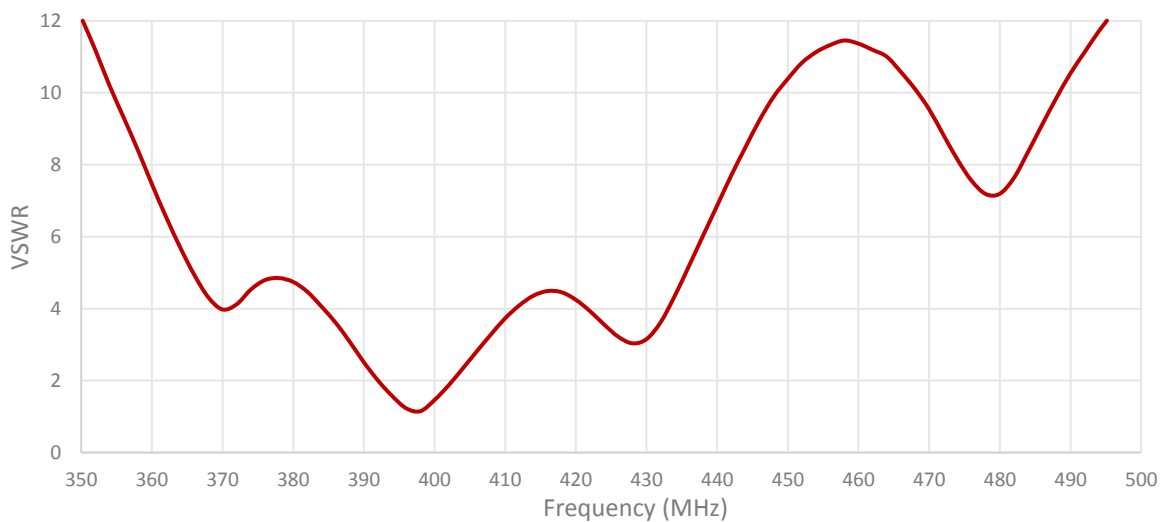
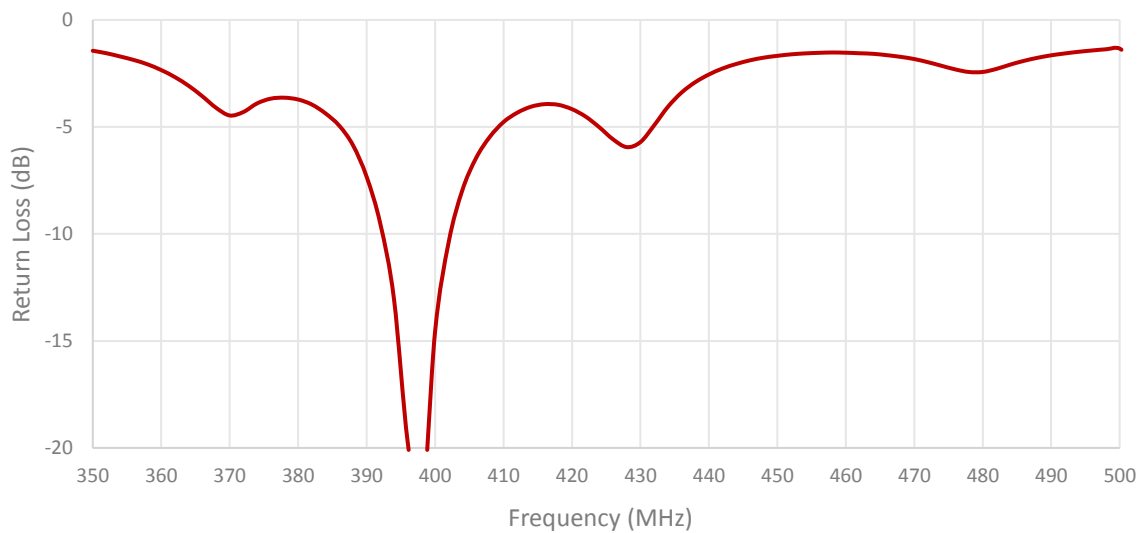
200cm of RG174 Cable

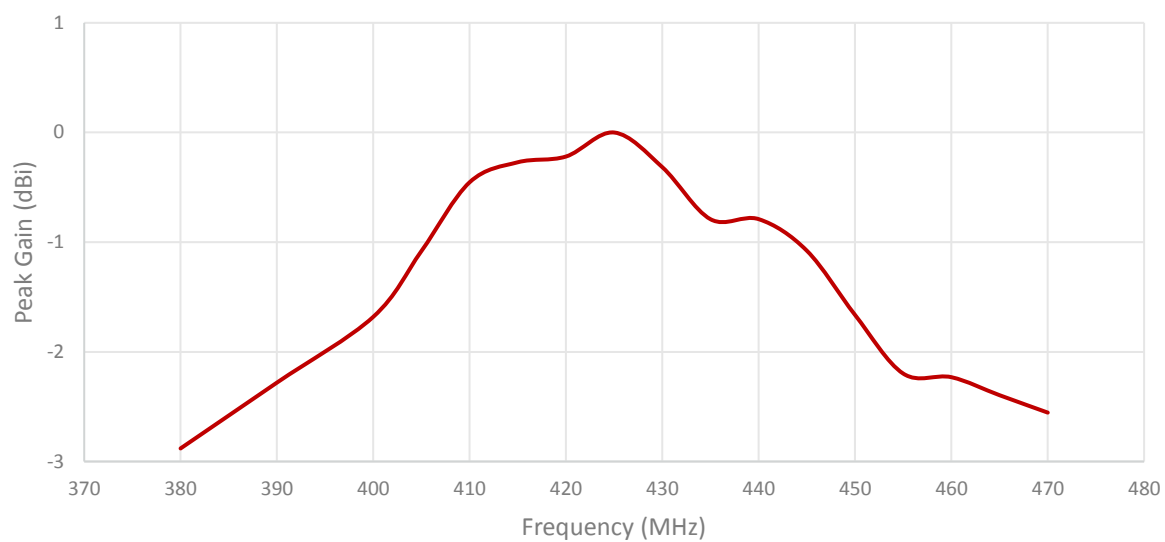
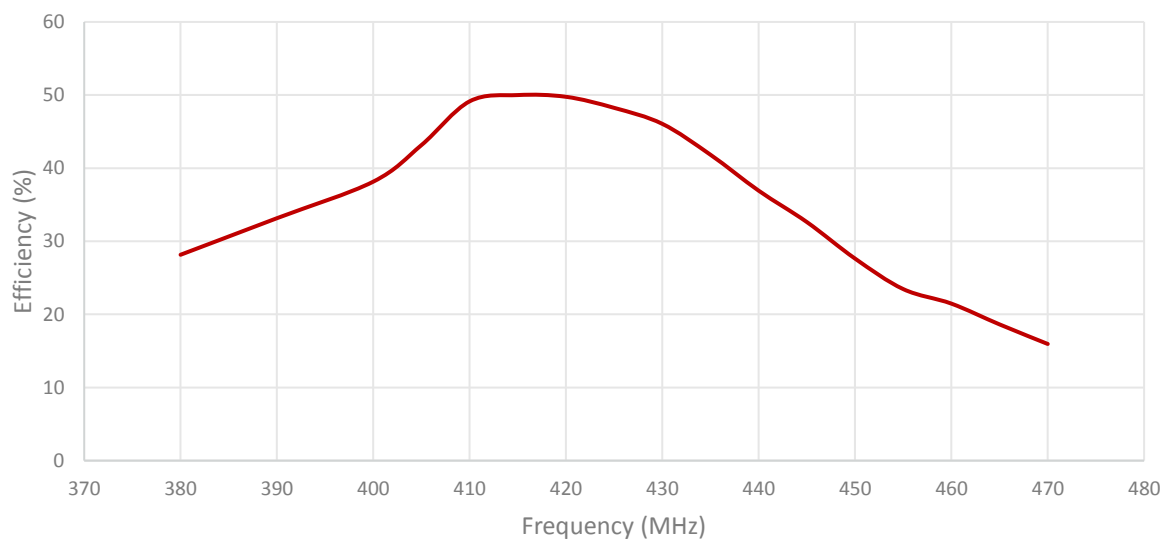
Measured in Certified CTIA 3D Anechoic Chamber

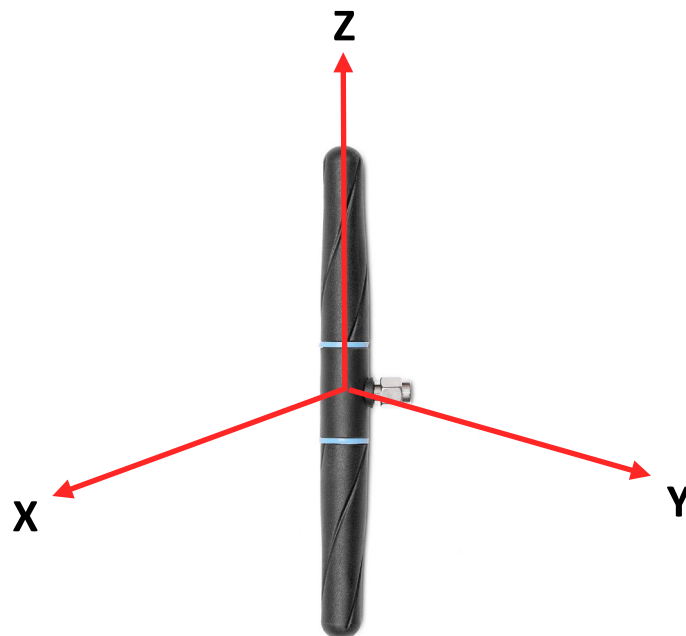
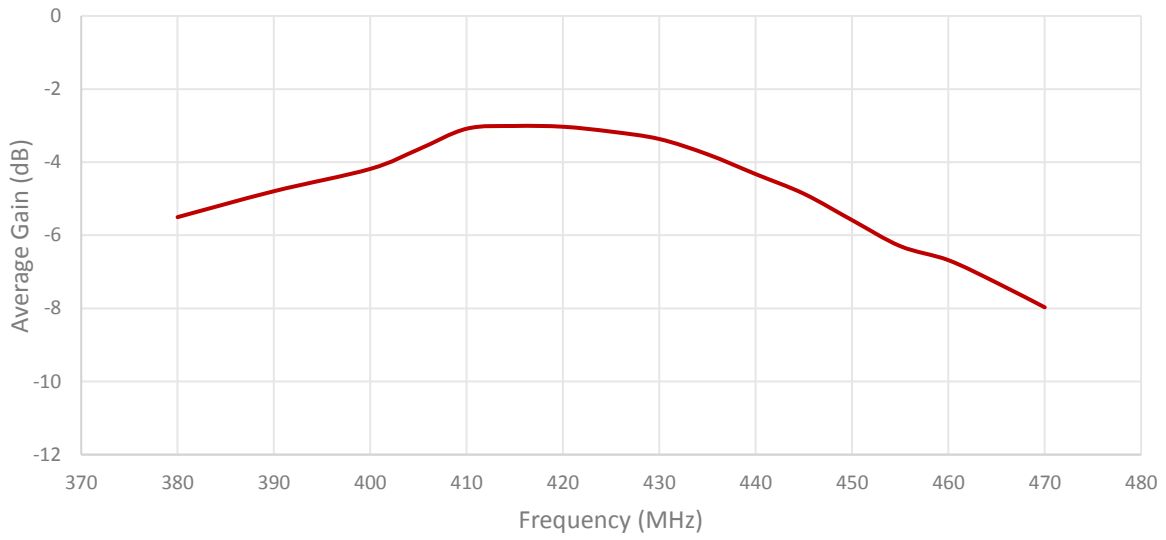
2. Mechanical and environmental specifications

Specifications	2JD0710-C728N
Mounting Type	Connector Mount
Dimensions (mm)	Ø 13.6 × 138
Radome	TPE
Radome color	Black
Operating Temperature (C)	-40 to +85
Storage Temperature (C)	-40 to +85
Substance Compliance	RoHS

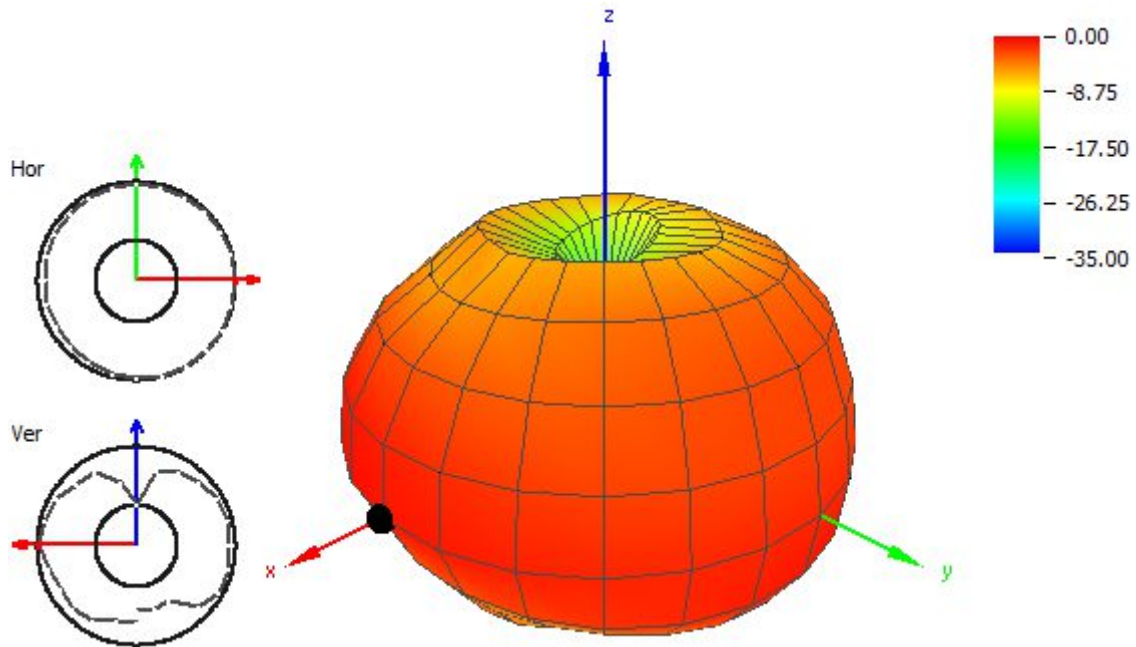
3. Antenna parameters





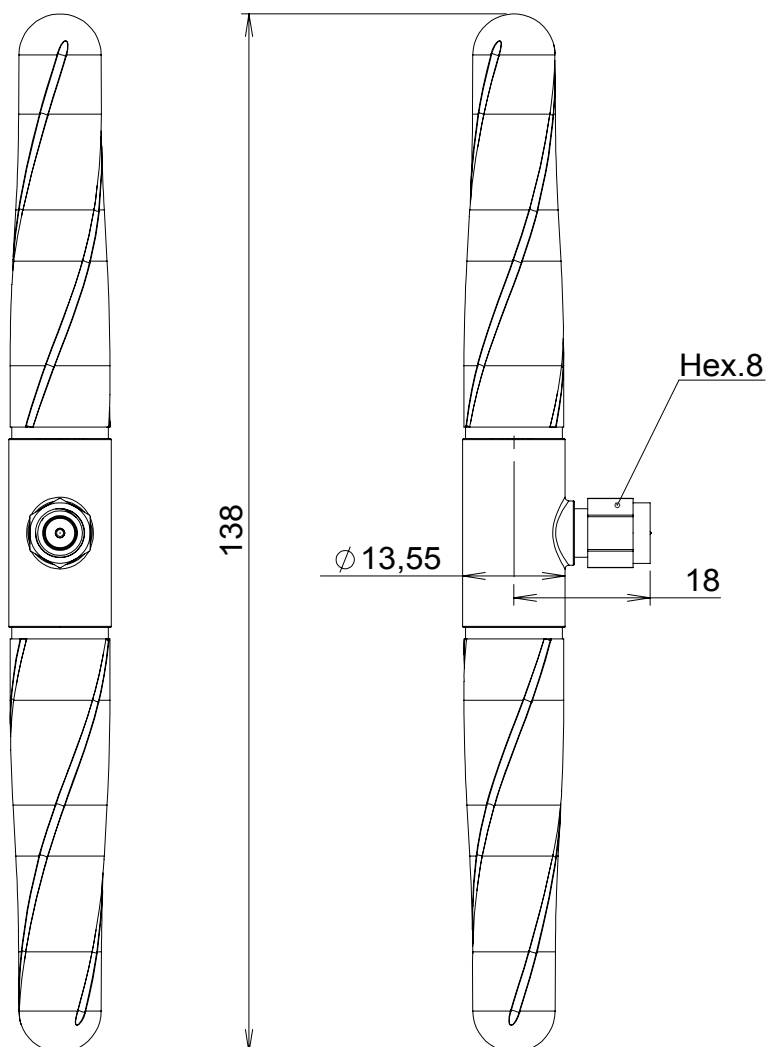


Radiation pattern reference



430 MHz Radiation pattern

4. Antenna drawings



5. Antenna Images

